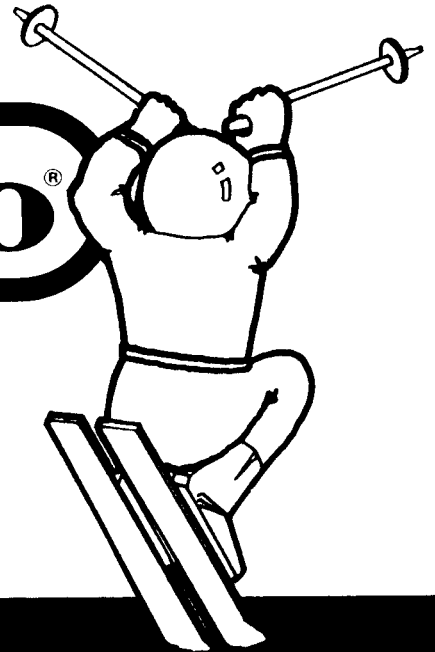


VS. SLALOM™*

ATTACHMENT
PAK MANUAL

Nintendo®



FOR INSTALLATION IN

VS. UniSystem® (UPRIGHT)

VS. DualSystem™ (UPRIGHT)

*©1986 RARE, LTD.
LICENSED EXCLUSIVELY TO Nintendo of America Inc.
TM of Nintendo of America Inc.
©1986 Nintendo of America Inc.

TABLE OF CONTENTS

I. Introduction	1
II. Contents of VS. Slalom Pak	2
III. List of Tools Needed	3
IV. Installation Process	4-7
V. Reorder Parts Lists	8-12
VI. Wiring Diagram	12

I. INTRODUCTION

VS. SLALOM PAK

This VS.-Pak® uses a special ski attachment which enhances game play. The ski attachment may be used with any VS. UniSystem (kit or dedicated) Upright or any VS. DualSystem Upright game.

Before you begin, be sure you are properly prepared. Thoroughly read this instruction manual to familiarize yourself with the proper procedures and make certain that you have all the necessary tools to install the ski attachment.

If you have any questions, please call Nintendo Service at 1-(800)-633-3236.

II. CONTENTS OF VS. SLALOM PAK

PARTS NAME	QUANTITY	REMARKS
VS. Slalom Pak	1	in case
Ski Base	1	
Control Panel	1	with poles attached
Control Panel Spacer	1	for VS. DualSystem (Upright)
Control Panel Clamp	2	
8-32 × 1" Phillips Machine Screw	8	for VS. DualSystem (Upright)
6-32 × 3/8" Button Head Square Drive	8	for pole covers
Square Drive Bit	1	
VS. Slalom Manual	1	
No. 14 × 3/4" Hex Tapping Screw	3	

III. LIST OF TOOLS NEEDED

Crescent Wrench

Electric Drill (optional)

3/16" Drill Bit (optional)

Interchangeable Bit Screw Driver

5/64" Hex Wrench

Phillips Screwdriver

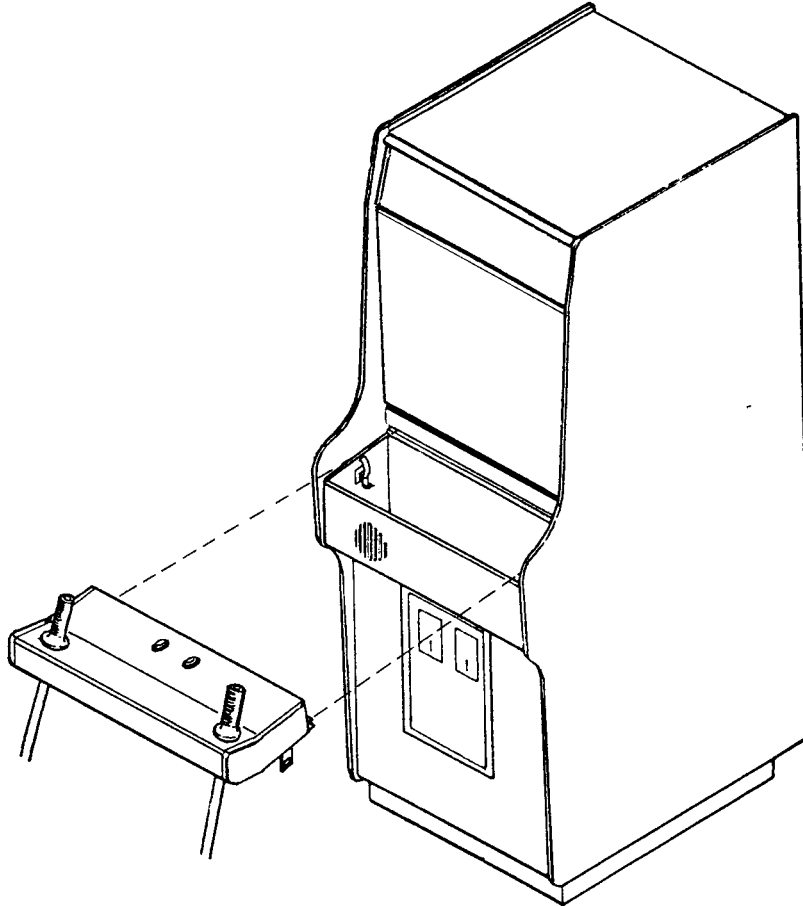
Square Drive Bit (included)

IV. INSTALLATION PROCESS

1. Installation of Control Panel Assembly

(For VS. UniSystem Kit Upright Cabinets)

- A. Remove existing control panel and save for future VS.-Paks.
- B. Install the VS. Slalom control panel assembly making sure to connect the 15 pin connector and fasten both hold down clasps. (See Illustration 1-1)



1-1

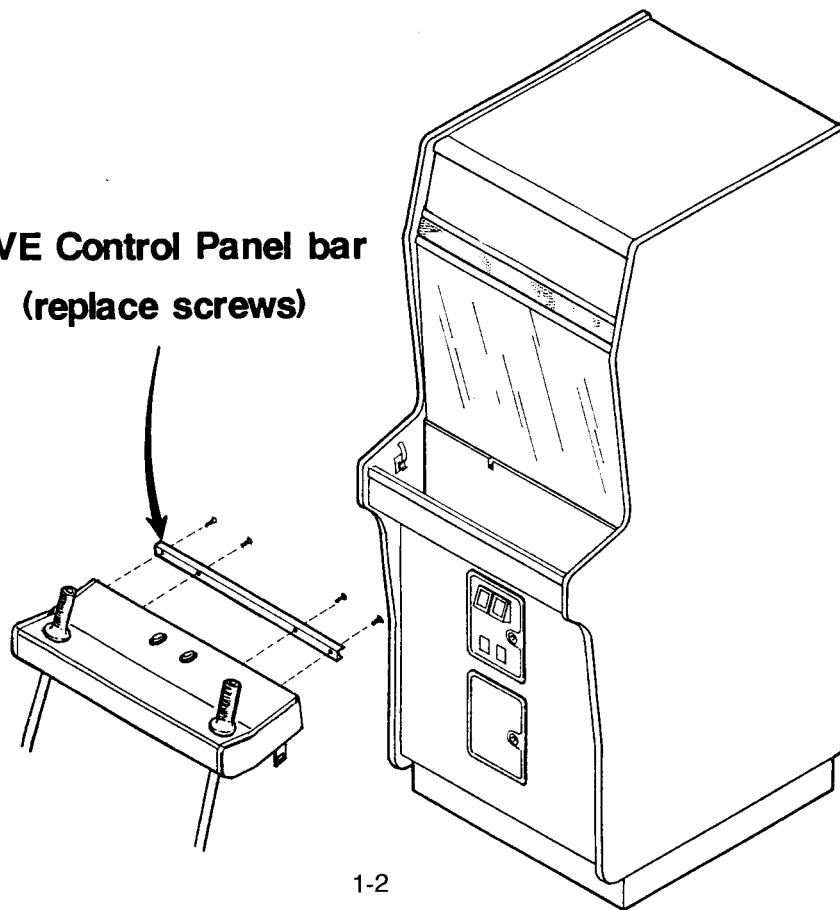
(For VS. UniSystem Dedicated Upright Cabinets)

- A. Remove existing control panel and save for future VS.-Paks.
- B. Remove the control panel bar by removing the four (4) 6-32 × 1/2" flat head allen screws. (See Illustration 1-2)
- C. Replace the four (4) 6-32 × 1/2" flat allen screws into the control panel.

Important: Be sure to replace the four (4) 6-32 × 1/2" flat head allen screws or it will become weak.

- D. Install the VS. Slalom control panel assembly making sure to connect the 15 pin connector and fasten both hold down clasps. (See Illustration 1-2)

**REMOVE Control Panel bar
(replace screws)**



(For VS. DualSystem Uprights)

- A. Remove the control panel from the side of the game that the VS. Slalom will be installed in.
- B. Remove the two (2) joysticks, eight (8) buttons and the wire harness from the dual control panel.

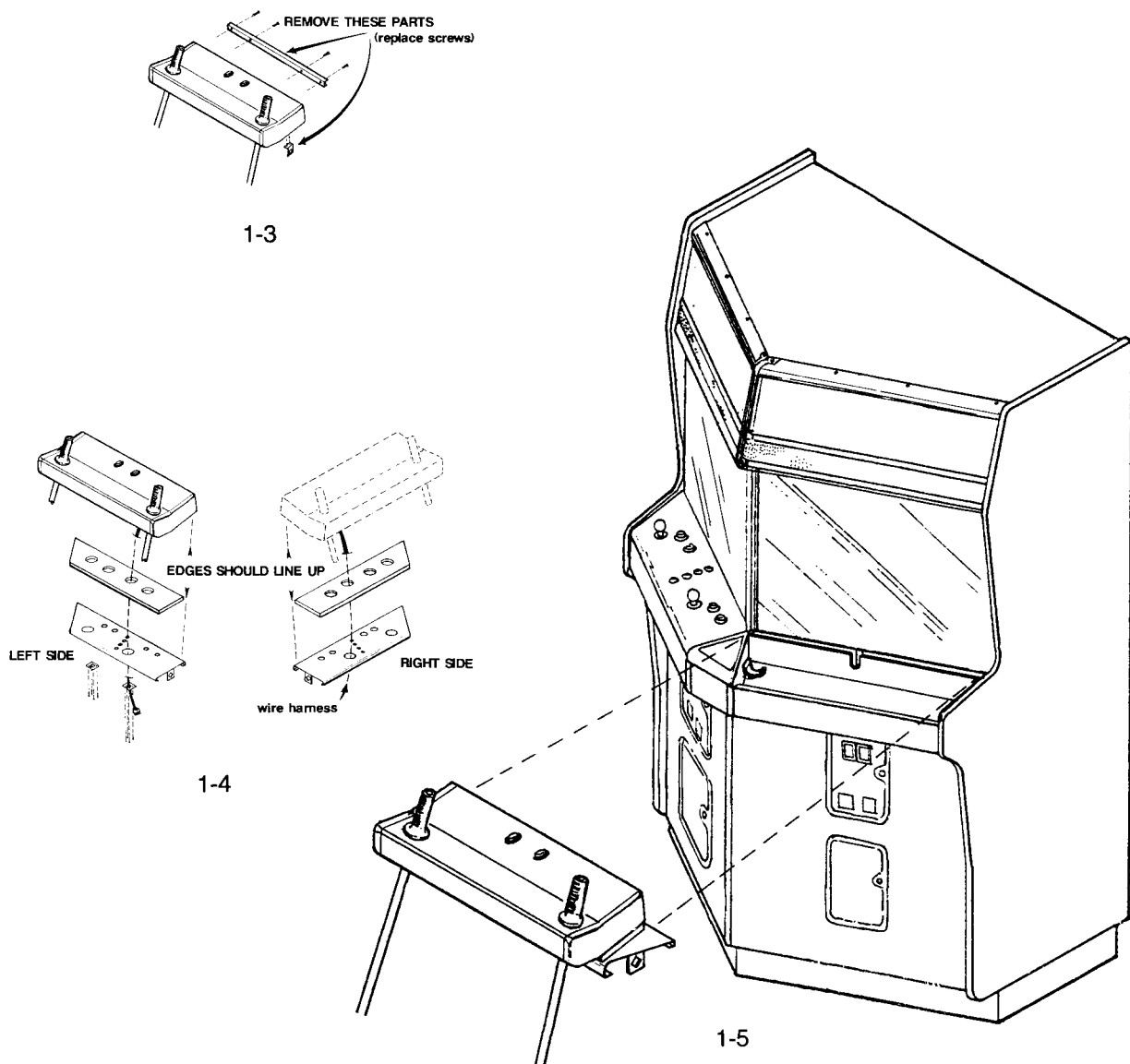
Note: Be sure to save these parts for future VS.-Paks.

- C. Remove the control panel bar by removing the four (4) 6-32 x 1/2" flat head allen screws. (See Illustration 1-3)
- D. Replace the four (4) 6-32 x 1/2" flat head allen screws.

Important: Be sure to replace the four (4) 6-32 x 1/2" flat head allen screws into the control panel or it will become weak.

- E. Remove the two (2) fastener brackets from the VS. Slalom control panel. (See Illustration 1-3)
- F. Fasten the VS. DualSystem control panel to the VS. Slalom control panel using the two (2) control panel clamps, eight (8) 8-32 x 1" phillips machine screws, and the control panel spacer. (See Illustration 1-4)

Important: The wire harness 15 pin connector must be pushed through the spacer hole, control panel joystick hole and control panel clamp slot.



Note: The control panel spacer can be used for either the right or left control panel on a VS. DualSystem.

G. Install the VS. DualSystem/VS. Slalom control panel assembly making sure to connect the 15 pin connector and fasten both hold down clasps. (See Illustration 1-5)

(For VS. UniSystem Pac-Man* Upright)

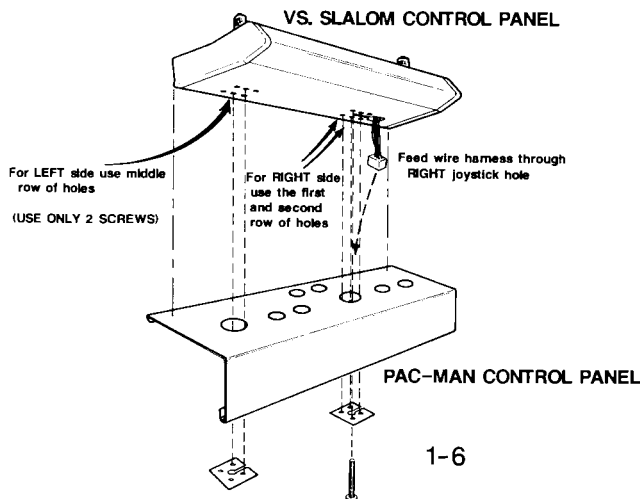
A. Attach the VS. Slalom control panel to the UniSystem (Pac-Man) control panel by following the same steps used for VS. DualSystem.

Important: Do not use control panel spacer for Pac-Man control panels.

B. Line up the joystick holes on the Pac-Man control panel to the VS. Slalom control as shown. (See Illustration 1-6)

Note: Notice that only six (6) 8-32 x 1" phillips machine screws are used and that the VS. Slalom control panel is slightly off center. This allows the VS. Slalom control panel to be mounted without disassembly.

*Trademarks of Bally Midway Manufacturing Inc.



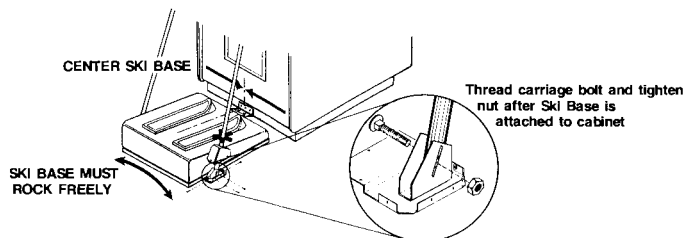
2. Mounting the Ski Base to the Cabinet

(These steps are for all cabinets)

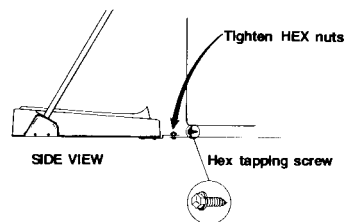
- A. Slide the ski base forward until it touches the bottom face of the cabinet.
- B. Center the ski base between the side panels. (See Illustration 2-1)
- C. Using the base to cabinet bracket as a template, mark the three (3) hole locations on the cabinet.
- D. Slide the ski base away from the cabinet and drill three (3) $\frac{3}{16}$ " holes at the locations marked.
- E. Slide the ski base forward and install the three (3) No. 14 \times $\frac{3}{4}$ " hex tapping screws, fastening the bracket to the cabinet. (See Illustration 2-2)
- F. Adjust the ski base so it does not interfere with the cabinet when rocked back and forth. Then securely tighten the two (2) $\frac{1}{4}$ " \times 20 (k lock) hex nuts. (See Illustration 2-1 and 2-2)
- G. Remove the two (2) $\frac{1}{4}$ - 20 \times 1- $\frac{1}{2}$ " carriage bolts and the two (2) $\frac{1}{4}$ \times 20 (k-lock) hex nuts from the ends of the poles.
- H. Place the ends of the poles into the slotted pole brackets and align the holes with the slots. (See Illustration 2-1)
- I. Replace the two (2) carriage bolts and the two (2) nuts removed in Step (G) and tighten securely. (See Illustration 2-1)

Note: Be careful not to damage the wire harness in the right pole.

- J. Connect the three pin connector on the right pole.
- K. Slide the pole covers down and install the eight (8) 6-32 \times $\frac{3}{8}$ " button head screws securing the pole covers to the pole brackets. (See Illustration 2-1)



2-1



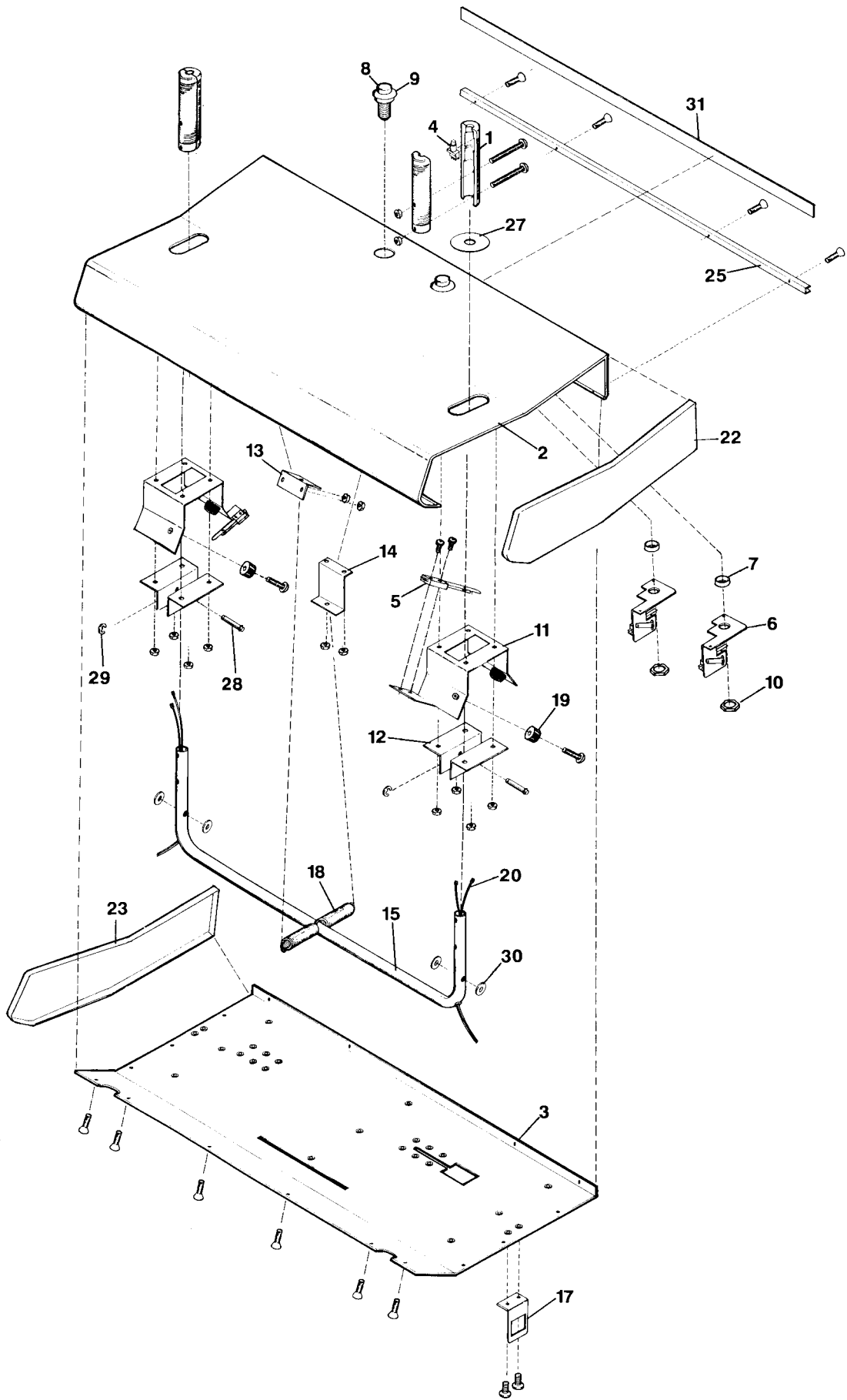
2-2

3. Install the software and header per the instructions contained in the VS.-Pak case.

V. REORDER PARTS LISTS

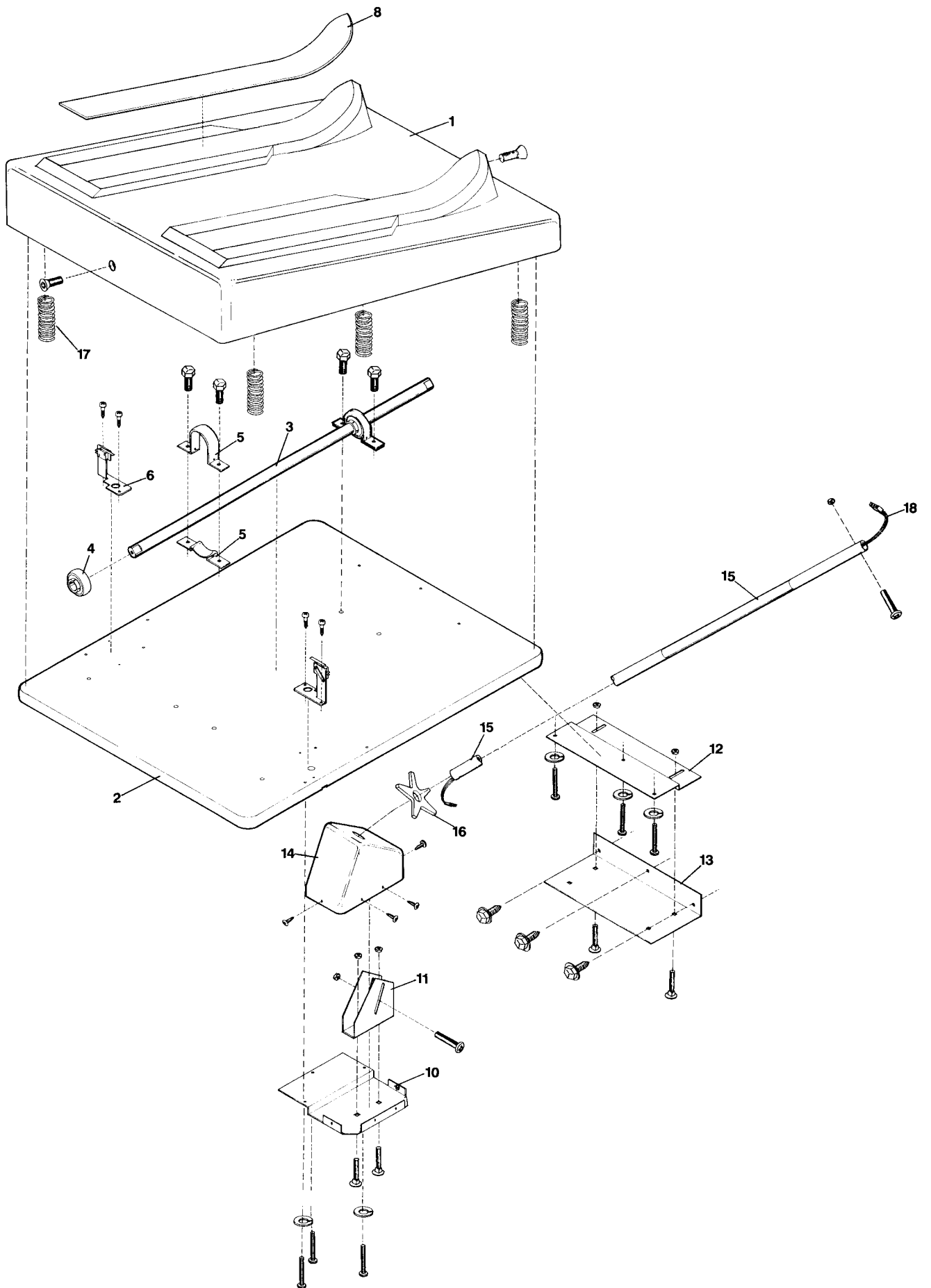
Control Panel Parts

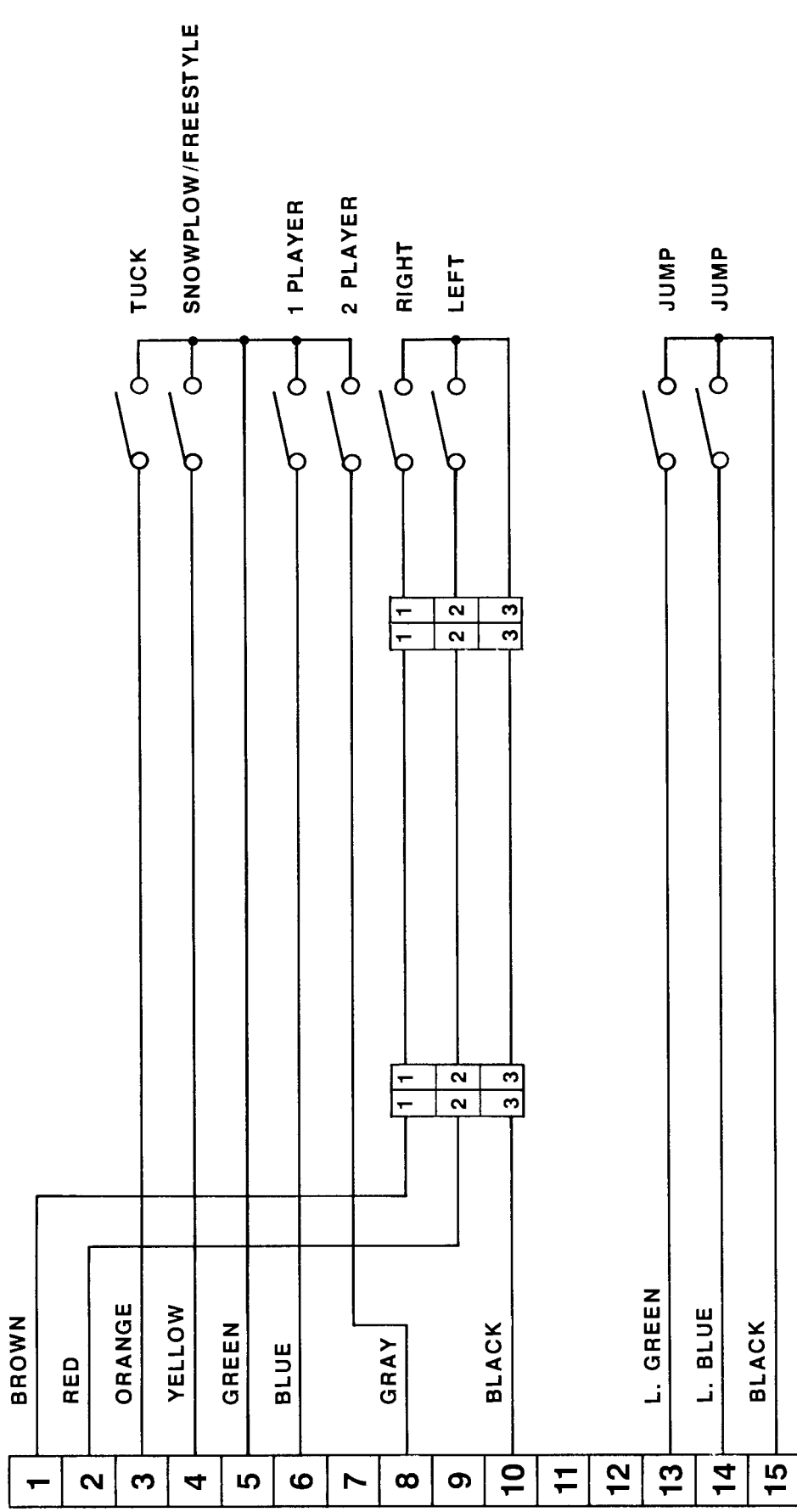
ITEM	PART NO.	DESCRIPTION
1	SLMU-23-01	Molded Handle
2	SLMU-01-22U	Control Panel (U)
3	SLMU-01-22L	Control Panel (L)
4	MDSA-23-31	Handle Switch (P163C3RU)
5	SLMU-23-31	Leaf Switch (WICO #15-1242-01)
6	TKGU-23-10A	Switch Assembly VL-12
7	TMAU-12-18	Collar
8	MDST-12-24	1 Player Button (Lt. Blue)
9	MDST-12-27	2 Player Button (Green)
10	TKGU-23-34	Pal-Nut
11	SLMU-23-02	Stop/Switch Bracket
12	SLMU-23-03	Pivot Bracket
13	SLMU-23-04	Spring Bracket (F)
14	SLMU-23-05	Spring Bracket (B)
15	SLMU-23-06	Control Tube
16	SLMU-23-07	Dual Fixing Plate
17	SLMU-23-08	Control Panel Fastener Bracket
18	SLMU-23-09	Extension Spring
19	SLMU-23-10	Bumper
20	SLMU-23-11	Control Wire Harness
21	SLMU-01-22	Control Panel Overlay
22	SLMU-23-13	End Cap (R)
23	SLMU-23-14	End Cap (L)
24	SLMU-23-15	Control Panel Spacer
25	SLMU-23-16	Control Panel Bar
26	SLMU-23-17	Control Panel Spacer Gasket
27	SLMU-23-18	Control Handle Plate
28	SLMU-23-19	Joystick Pin
29	SLMU-23-20	E Rings
30	SLMU-23-21	Nylon Washer
31	SLMU-23-23	Sealer Strip



Base Assembly Parts

ITEM	PART NO.	DESCRIPTION
1	SLMU-01-01	Molded Ski Base
2	SLMU-01-02	Wooden Ski Base
3	SLMU-01-03	Journal Bearing Rod
4	SLMU-01-04	Bearings
5	SLMU-01-05	Bearing Mount Set
6	TKGU-23-10A	Switch Assembly (VL-12)
7	SLMU-01-06	Wire Harness
8	SLMU-01-07	Ski Graphics
9	SLMU-01-08	Pole Stickers
10	SLMU-01-09	Lower Pole Bracket (A)
11	SLMU-01-10	Lower Pole Bracket (B)
12	SLMU-01-11	Base Mounting Bracket
13	SLMU-01-12	Base to Cabinet Bracket
14	SLMU-01-13	Pole Covers
15	SLMU-01-14	Poles
16	SLMU-01-15	Ski Baskets
17	SLMU-01-16	Springs
18	SLMU-01-17	Pole Harness





WIRING DIAGRAM

SCALE: APPROVED BY: **R. McMANUS**
 DATE: **9/29/86** REVISED

VS. SLALOM CONTROL HARNESS

Nintendo of America Inc. DRAWING NUMBER **MGS-SL**

PRINTED IN U.S.A.