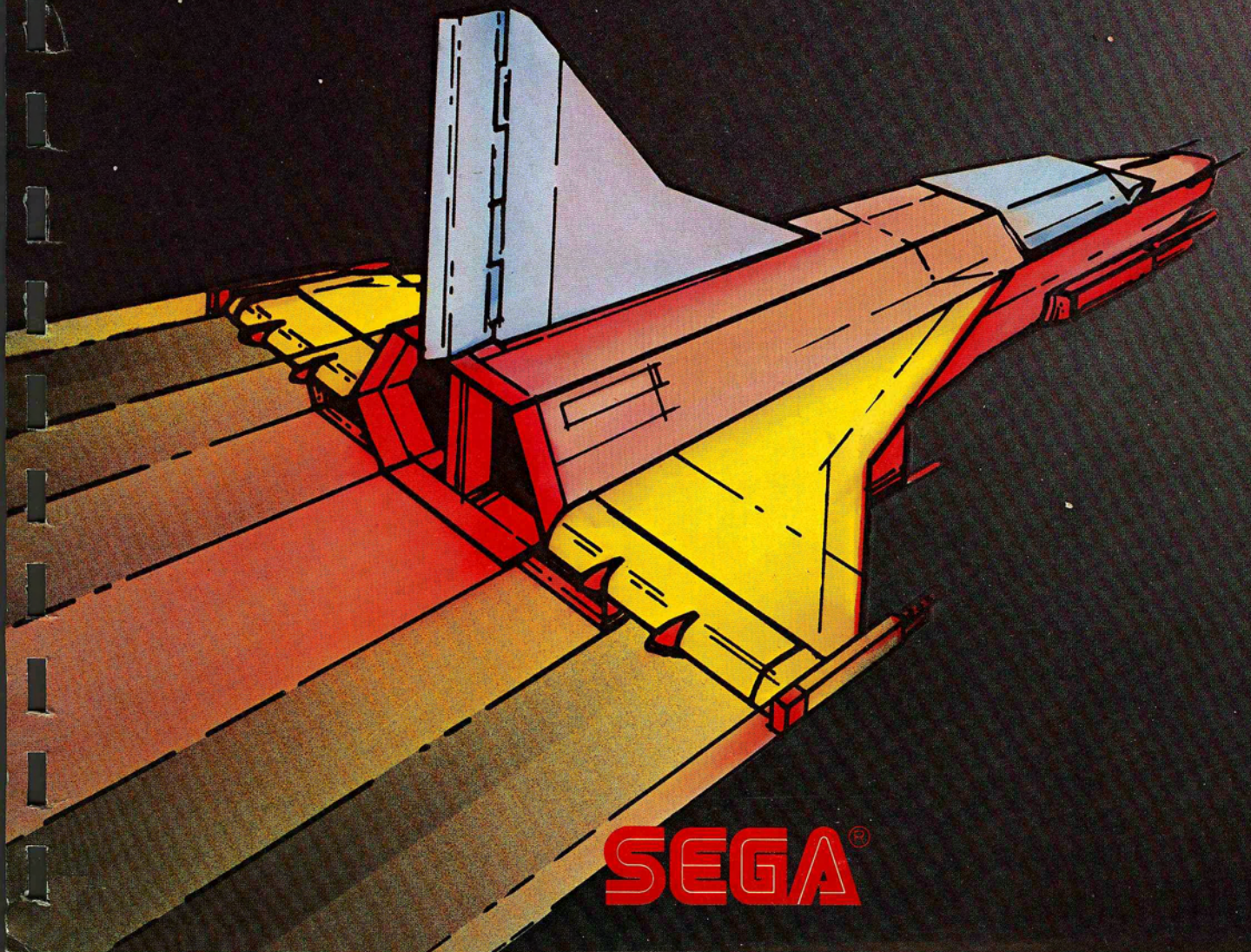


SUPER ZAXXON™

Owner's Manual
Manual Part No. 420-0838



SEGA®



Owner's Manual

Manufactured By

SEGA[®]

TLX 910-335-1621

Super ZAXXON[™] Owner's Manual

Copyright © 1982 by SEGA Electronics, Inc., All Rights Reserved

TABLE OF CONTENTS

Introduction	1
Important Notes	2
Game Concept	3
Scoring	4
Option Selection	5
Circuit Description	7
Self-Test	8
Index To IC's	15
Troubleshooting Diagrams	19
Game Block Diagram	23
Upright Assemblies Parts Catalog	24
Cocktail Table Assemblies Parts Catalog	49
Mini Assemblies Parts Catalog	63
Common Assemblies Parts Catalog	91
Cabinet Wiring Diagrams	198
Schematics	201

INTRODUCTION

Super ZAXXON™ is a microprocessor based coin-operated electronic game that makes extensive use of digital integrated-circuitry and television monitor concepts. This manual is designed for the use of the maintenance technician who possesses a general working knowledge of solid-state circuitry and video monitor theory. Any individual NOT knowledgeable in these areas SHOULD NOT attempt repair of the electronic portions of this game.

In addition to this manual and training in electronics, troubleshooting and repair will be facilitated by: access to general electronic-type handtools, a multimeter, a 50 to 100 MHz oscilloscope and a logic probe would be helpful.

Technical assistance is available toll-free by calling:

1-800-854-1938 outside California

1-800-722-8576 inside California

Parts information assistance is available toll-free by calling:

1-800-854-1900 outside California

1-800-722-8575 inside California

Questions or comments concerning Super ZAXXON™ or any of our games are welcome and should be directed to:

Customer Service Manager

Sega Electronics, Inc.

16250 Technology Drive

San Diego, California 92127-1985

IMPORTANT NOTES

The following note is included in compliance with FCC rules:

WARNING: This equipment generates, uses and can radiate radio frequency energy and if not installed and used in accordance with the instruction manual, may cause interference to radio communications. As temporarily permitted by regulation, it has not been tested for compliance with the limits for Class A computing devices pursuant to Subpart J of Part 15 FCC Rules, which are designed to provide reasonable protection against interference in which case the user at his own expense will be required to take whatever measures may be required to correct the interference.

OTHER NOTES

NEVER replace any components with anything other than exact replacement parts.

NEVER remove circuit board connections while power is on.

DO NOT replace fuses with anything other than the proper value. A blown fuse indicates an overload condition within the game. Replacing fuses with a higher value can cause severe damage to internal components if an overload occurs.

ALWAYS consult the manual before attempting repairs.

GAME CONCEPT

SUPER ZAXXON is a one or two player video game that presents the player with tremendous challenge and excitement never before experienced. The 3-dimensional-like, isometric graphics are produced by projecting the picture at a slant on the screen, putting the player in remote controlled realism with his SUPER ZAXXON player ship. The player ship climbs, dives and strafes to maneuver through the many obstacles it encounters in its flight. In unique game play action, the player ship appears larger or smaller depending on its altitude, casts trailing shadow that follows it just as a real shadow would. This shadow, an altimeter on the video screen, and the points of impact of the player's gunfire help judge the altitude of the player's space craft, lending new skill and challenge to SUPER ZAXXON.

Flying at supersonic speeds, the player confronts an ominous floating munitions fortress. Here the player ship must battle hidden ground-to-air missiles, rotating gun turrets, tracking parabolic antennas and electrifying maser barriers as he banks, climbs and dives to strafe enemy installations and fuel tanks, gaining valuable points towards ships and extra fuel.

Once through the fortress, SUPER ZAXXON lures the player ship into a foreboding tunnel where the player must use cautious skill and a responsive extra-heavy duty fighter pilot control stick to overcome the limited ceiling in the tunnel and dodge or destroy a terrific onslaught of flying minelayers, enemy ships and self-destructing robot spaceships, yet also avoid the indestructable mines that crowd the dim corridor.

Accompanied by the roar of "space wind", the player soars out of the tunnel to face another battle within the enemy headquarters. This is a more heavily defended floating fortress of tighter passageways armed with maser barriers and increasingly heavier firepower from enemy defenses. Overcoming all this, the player is ready to face the ultimate challenge within the enemy headquarters-- a bigger-than-life, fire breathing Dragon who can destroy the player ship with a single breath of fire. With an unnerving wail, the fierce Dragon flies forward

and unleashes a breath of flame from its huge mouth. But by firing six direct hits on the Dragon's mouth, the player can defeat the Dragon. The game ends with the loss of the last player ship.

SCORING

- Fuel Tanks	500 points
- Rockets	300 points
- Enemy Ships	200 points
- Mystery Turrets	200 Or 500 points
- Mine Lasers	200 points
- Dragon	1,000 points
- Radar Base	1,000 points

OPTION SELECTION

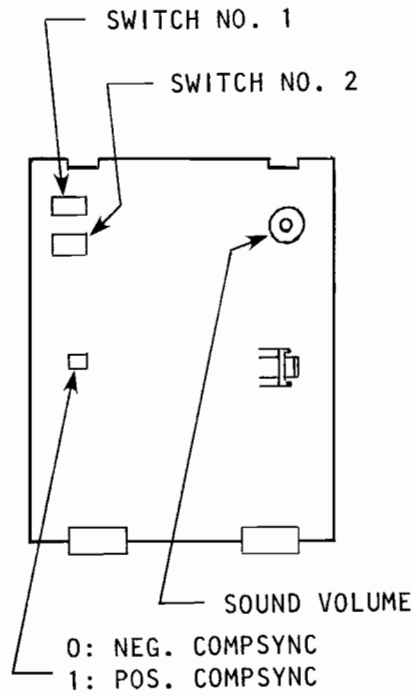
OPTION		SWITCH NO. 1							
		1	2	3	4	5	6	7	8
DIFFICULTY	NORMAL	X	X	ON	X	X	X	X	X
	HARD	X	X	OFF	X	X	X	X	X
EXTRA SCORE	10,000	ON	ON	X	X	X	X	X	X
	20,000	ON	OFF	X	X	X	X	X	X
	30,000	OFF	ON	X	X	X	X	X	X
	40,000	OFF	OFF	X	X	X	X	X	X
UPRIGHT		X	X	X	X	X	X	X	OFF
TABLE		X	X	X	X	X	X	X	ON
SOUND ON		X	X	X	X	X	X	ON	X
SOUND OFF		X	X	X	X	X	X	OFF	X
FREE SHIPS		X	X	X	X	OFF	OFF	X	X
5 SHIPS		X	X	X	X	OFF	ON	X	X
4 SHIPS		X	X	X	X	ON	OFF	X	X
3 SHIPS		X	X	X	X	ON	ON	X	X

COINS PER CREDIT		SWITCH NO. 2							
		1	2	3	4	5	6	7	8
4	1	ON	ON	ON	ON	X	X	X	X
3	1	ON	ON	OFF	OFF	X	X	X	X
2	1	ON	ON	OFF	ON	X	X	X	X
1	1	ON	ON	OFF	OFF	X	X	X	X
1	2	ON	OFF	ON	ON	X	X	X	X
1	3	ON	OFF	ON	OFF	X	X	X	X
1	4	ON	OFF	ON	OFF	X	X	X	X
1	5	ON	OFF	OFF	OFF	X	X	X	X
2	1	OFF	ON	ON	OFF	X	X	X	X
3	2	OFF	ON	ON	OFF	X	X	X	X
5	3	OFF	ON	ON	OFF	X	X	X	X
6	4	OFF	ON	ON	OFF	X	X	X	X
2	1	OFF	ON	OFF	ON	X	X	X	X
3	2	OFF	ON	OFF	ON	X	X	X	X
4	3	OFF	ON	OFF	ON	X	X	X	X
1	1	OFF	ON	OFF	OFF	X	X	X	X
2	2	OFF	ON	OFF	OFF	X	X	X	X
3	3	OFF	ON	OFF	OFF	X	X	X	X
4	4	OFF	ON	OFF	OFF	X	X	X	X
5	6	OFF	ON	OFF	OFF	X	X	X	X
1	1	OFF	OFF	ON	ON	X	X	X	X
2	2	OFF	OFF	ON	ON	X	X	X	X
3	3	OFF	OFF	ON	ON	X	X	X	X
4	5	OFF	OFF	ON	ON	X	X	X	X
1	1	OFF	OFF	ON	OFF	X	X	X	X
2	3	OFF	OFF	ON	OFF	X	X	X	X

OPTION SELECTION CON'T

COINS PER CREDIT		1	2	3	4	5	6	7	8
1	2	OFF	OFF	OFF	ON	X	X	X	X
2	4	OFF	OFF	OFF	ON	X	X	X	X
3	6	OFF	OFF	OFF	ON	X	X	X	X
4	8	OFF	OFF	OFF	ON	X	X	X	X
5	11	OFF	OFF	OFF	ON	X	X	X	X
1	2	OFF	OFF	OFF	OFF	X	X	X	X
2	4	OFF	OFF	OFF	OFF	X	X	X	X
3	6	OFF	OFF	OFF	OFF	X	X	X	X

X = NOT USED



SUPER ZAXXON™ CIRCUIT DESCRIPTION

Super ZAXXON is a microprocessor based, digital-integrated circuit computer video game. The heart of the computer is the CPU (U24), a Z80A (P/N 315-0041) located on the 800-3300 Assy. IC Board A. The Alpha type chip MUST ALWAYS be used, as the Z80 is not fast enough to run the programs.

Master timing is crystal-driven at 48.66 MHz, (X1, Zone 6-D, Sht. 7, Assy. IC Bd. B, 800-3301) through Q1, Q2, T1, U19, U38, U41, and frequency dividers U1, U2, and U21. CPU timing (1H) is taken from U1 p-14, through U45, U9, applied to Bus Driver U94 p-6 (Zone 8-D, Sht. 8, Assy. IC Bd. B, 800-3301), through P3 p-9 to the "A" Board (Zone 1-A, Sht. 14, Assy. IC Bd., A, 800-3300) is referenced by U25 and Q14 (Zone 8-D, Sht. 14, Assy. IC Bd., A, 800-3300) and finally applied to pin-6 of the CPU (U24). Back at U45 (Zone 4-A, Sht. 7, Assy. IC Bd. B, 800-3301) the \overline{TH} pulse is used to clock the Octal Flip-Flops U16 and U25 (Sht. 6, 800-3301).

Manual system reset comes from the operator panel through P5 p-L, appears as a LO at U53 p-1 (Zone 4-D, Sht. 13, Assy. IC Bd. A, 800-3300) and is then felt at pin-26 of the CPU (Zone 8-C, Sht. 14, 800-3300). Normal program interrupts (INT) are felt at pin-16 of the Z80A (an edge-triggered LO), and are the result of Input/Output activity times with vertical blanking (an approx. 2 msec. instruction interrupt). The WAIT signal is used to synchronize that I/O activity during an interrupt to the CPU. U33 (Zone 6-D, Sht. 14, Assy. IC Bd. A) is an address bus controller. Three of the sixteen address lines pass through U33 and subsequently drive the Chip Enable inputs of ROMs 1, 2, and 3 (U27, U28, and U29), and RAMs U37 and U38. U81, U82, U86, U87, and U88 (Sht. 13, Assy. IC Bd. A, 800-3300) are input ports on the data bus. Connector P5 supplies player input information, CPU reset, service

switch, game start and coinage to the input ports. U101, U66, U84, and U51 input COIN B, and U101, U65, U84, and U89 input COIN A, together with Player 1 and 2 start, to data bus buffer U88. U82 accesses/buffers Player 1 and 2 Left/Right data, U81 buffers Player 1 and 2 Up/Down data, U86 buffers Player 1 and 2 fire data, and U87 serves for Option Selection data. SW3 is the self-test switch. When closed, it applies a LO to pin-17 ($\overline{\text{NMI}}$) of the Z80A, initiating a systems/function verification as follows:

Super ZAXXON Self-Test

1. ROM Test
 2. Work RAM Test
- Both results are displayed simultaneously.

ROM TEST

ROM 1 OK or NG

ROM 2 OK or NG

ROM 3 OK or NG

RAM TEST

RAM 1 OK or NG

RAM 2 OK or NG

- The ROM Test sum-check is made for the 3K bytes which contain a part of this test program, out of 4K bytes in ROM 1 (2532), and for ROM 2 and 3 (2564). The sum-check adds each byte of each ROM, retains only the last 16 bits (hexadecimal 4 digits), and compares this value with the value stored in ROM 1.
- The Work RAM Test is made for two Work RAMs (2K bytes each). Each RAM is loaded with the hexadecimal "55", reads 1 byte at a time, and checks if it is a hexadecimal "55", repeating this process with the

hexadecimal "A". This test is made to check interference between adjacent bits.

* - Press the PLAYER 1 START BUTTON to advance the test step.

3. Scroll Screen Test

- * 1) no display
- * 2) enemy base entrance wall in the 2nd pattern (7 bricks high)
- * 3) between the 1st wall and 2nd wall (3 bricks high)
- * 4) between the 2nd wall and 3rd wall (5 bricks high)
- * 5) between the 3rd wall and 4th wall (1 brick high)
- * 6) between the 4th wall and 5th wall (3 bricks high)
- * 7) behind the 5th wall
- * 8) hexagonal pattern floor
- * 9) enemy base entrance wall in the 1st pattern (7 bricks high)
- * 10) behind the 1st wall: tanks and pipe lines
- * 11) wall in half-way (1 brick high): 5 pipe lines are seen
- * 12) runway entrance
- * 13) middle of runway
- * 14) end of runway
- * 15) exit under wall in the 1st pattern
- * 16) space with no star: end of base can be seen at the left
- * 17) tunnel entrance
- * 18) tunnel exit

4. Target Pattern Test

1) Player ship - 7	Craft with Mine - 1
Bullet - 4	Craft without Mine - 1
* Enemy Ship - 8	Mines - 2
Cannons - 9	Explosions - 6
Radar - 1	Tank - 1

2) Ship-1, Rocket-2, Missile-2
Target-1, Explosion-2, Barrier-1
Wall-3, Artillery-1, Tank-1
Radar-1, Enemy Ship-1, Bullet-1

* Dragon-1, Tunnel Entrance-4

3) Explosion-4, Satellite-1, Building-8, Wreck-1

* Score-3 (200, 500, 1000)

5. Video RAM and Object (Target) RAM Test

VRAM TEST

VRAM OK or NG

ORAM TEST

* ORAM OK or NG

- This test is made for the VRAM character pattern display, and the ORAM target pattern display. The check method is the same as described in step 2.

6. Input Switch Test

- Press each of the specified switches in the order displayed. OK is displayed if the switch is operating normally.

INPUT TEST

MAIN (Player 1 input ports)

RG

LF

UP

DN

FR

SUB (Player 2 input ports)

RG

LF

UP
DN
FR
1P
2P
CA
CB
* SV

7. Software Output Port Test

- Tests if signals are sent from the software to the hardware.

OUTPUT TEST
CAEN
CBEN
SVEN
* CNTA
* CNTB
* REVERSE (180⁰ flip is displayed)
* RETURN (displays FLIP IS OK)


- Enables are automatically checked at the falling edge of the input signal.

8. DIP Switch Test

- Tests the connection between the DIP switches and the software. Test the two DIP switches both with every other bit on, then test by reversing ON and OFF. Thus interference between adjacent bits can be checked at the same time.

TEST 1
* TEST 2

9. Character Pattern Test

- Displays the character patterns and picture patterns in the same ROM.
- Letters, numbers, and patterns like A to Z, 0 to 9, and  are displayed.
- * Changes color.

10. Color Reference Test

- For character patterns and background pictures, check that the color reference changes each time the Player 1 Start button is pressed.
- *

11. Sound Port Test

- Verify that sound is emitted each time the * button is pressed.
- Bit 1, 2, 3, 9, 10, 11, 12, 15, 18, 21, 22, 23, and 24 does not emit sound.

- * 1) flying sounds [tone changes in 1)-5)].
- * 2) flying sounds
- * 3) flying sounds
- * 4) flying sounds
- * 5) flying sounds
- * 6) no sound [reset]
- * 7) homing missile
- * 8) missile firing
- * 9) barrier
- * 10) robot
- * 11) no sound [reset]
- * 12) explosion [large]
- * 13) firing
- * 14) firing [enemy]

- * 15) target
- * 16) fuel
- * SELF-TEST END

Due to the striking isometric perspective used in ZAXXON, memory requirements for background generation are significant. On Assy. IC Board B (800-3301), EPROM's 4-15 contain a total of 672K bits of video character, positioning, color, and timing information. Background generation accessible memory is provided by TTL Isoplaner RAMs U42, U64 (Zone 6-B, Sht. 8, Assy. 1C Bd. B), and U46 (Zone 2-D, Sht. 6, Assy. 1C Bd. B), in addition to the 1024 x 4 bit RAMs U17 and U36. Composite synchronization is taken from pin-4 of U11 (Zone 2-C, Sht. 7, Bd. B) applied to pin-5 of U93 (Zone 7-A, Sht. 13, Assy. 1C Bd. A), selectably polarized by switch SW4 and put on pin-20 of P5, for input to the monitor, in addition to W, 19, and X. 180⁰ video FLIP for cocktail models is latched into the data bus by SW1 position 8 through U87 (Zone 3-B, Sht. 13, Assy. 1C Bd. A).

Just as the microprocessor Z80A is the heart of the game computer, so too is the 8255AC-5 (U3, Zone 7-C. Sht. 2, Sound Bd. Assy.) the center of activity in the Sound area. Called a Sound Generator, U3 interfaces data and address bus, as well as A Bd. & Sound Bd. Thru wire wrap socket CN1, enabling specific sound processing circuits. These circuits consist of individual sounds for Player Ship Flying Sounds, Homing Missile, Base Missile, Barrier, Dragon, Small-explosion, Large-explosion, Laser, Enemy Shot, Target, and Fuel, in addition to Supplementary Sound A & B originating from the Sound Bd. (834-5106). Those complete sounds not originating within the 8255A, are enabled by the Sound Generator Chip through a device called a Quad Switch/Driver (4016B) U17. U11 and VR1 (Volume Control, found on the Assy. A

Board) set input biasing for Audio Amplifier U1, at an 8 ohm load. Speaker connections are made at P4 pins-3 and 4.

PLEASE NOTE - The following logic charts are for use as a general reference only, and are not intended to be all inclusive. Remember, good troubleshooting technique begins with a thorough VISUAL examination, keeping power supply and harnessing considerations in mind as well.

Super ZAXXON™ Index to IC's

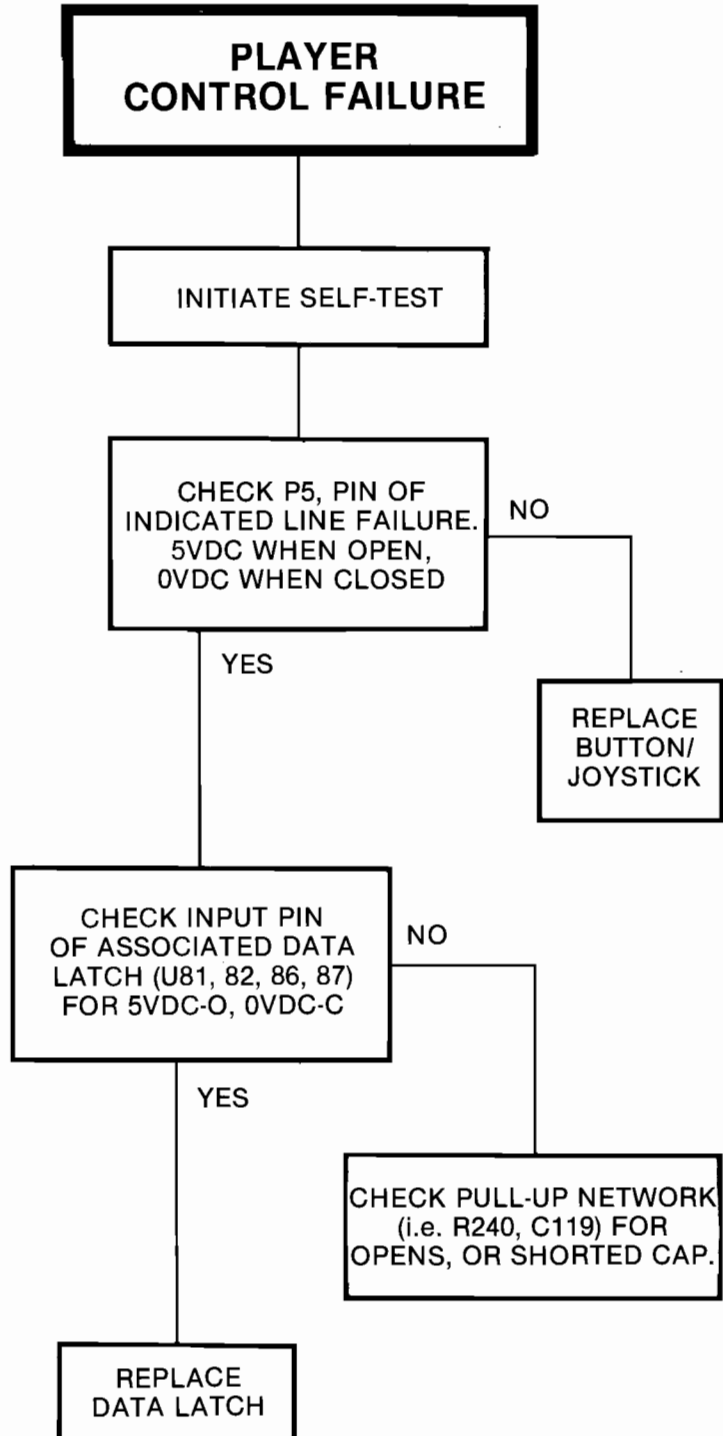
<u>IC No.</u>	<u>Part No.</u>	<u>Location No.</u>	<u>Description</u>
Z80A	315-0041	U24(A)	Microprocessor
2114	315-0046	U70,U71(A)	RAM 1024 x 4 BIT
2532	316-1475	U29(A)	EPROM-1475 8 x 32 BIT
2564	316-1456	U93(B)	EPROM-1456 8 x 64 BIT
	316-1457	U92(B)	EPROM-1457
	316-1458	U91(B)	EPROM-1458
	316-1459	U90(B)	EPROM-1459
	316-1460	U113(B)	EPROM-1460
	316-1461	U112(B)	EPROM-1461
	316-1462	U111(B)	EPROM-1462
	316-1465	U77(B)	EPROM-1465
	316-1466	U78(B)	EPROM-1466
	316-1467	U79(B)	EPROM-1467
	316-1473	U27(A)	EPROM-1473
	316-1474	U28(A)	EPROM-1474
2716	316-1468	U68(A)	EPROM-1468
	316-1469	U69(A)	EPROM-1469
93419	315-0065	U46(B)	RAM TTL Isoplanar 64 x 9 BIT
93422A	315-0155	U42,U62(B)	RAM TTL Isoplanar 1024 x 4 BIT
10125	314-0243	U19(B)	Quad ECL to TTL Translator
8255AC-5	315-0152	U3(C)	Programmable Peripheral Interface (Sound Generator)
CD4016	315-0033	U17(A),U5(C)	Quad Switch/Driver
LA4460	313-0097	U1(A)	Audio Power Amp

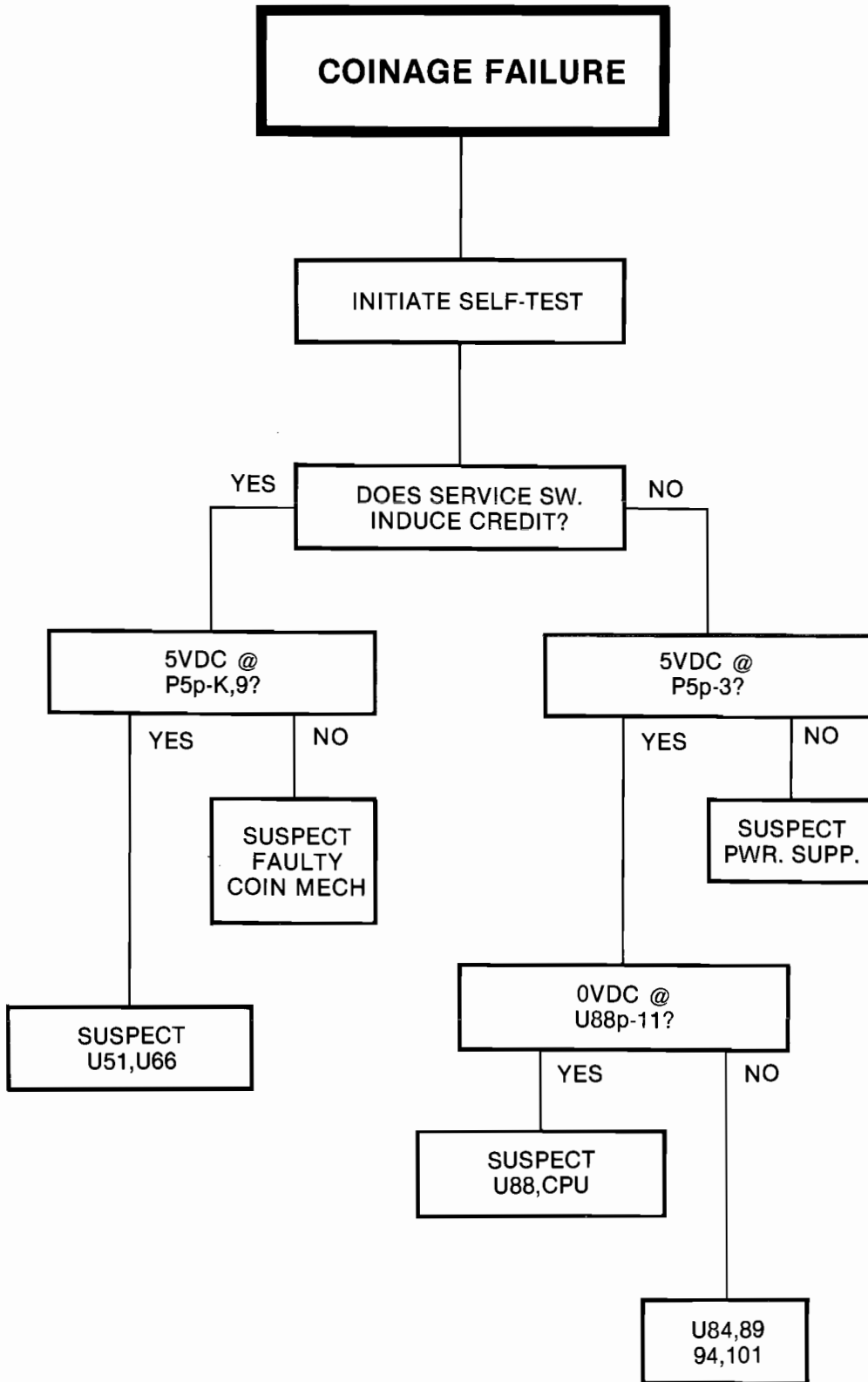
<u>IC No.</u>	<u>Part No.</u>	<u>Location No.</u>	<u>Description</u>
LM324	313-0034	U3-U5,U8-U12, U19,U20(A) U2,U6,U8,U9, U11(C)	Om Amp (Single Supply)
MB3761	313-0101	U52(A)	Voltage Detector
MB4391M	313-0084	U13-16(A) U1,U10(C)	Analog Switch
MB7063	315-0071	U46(B)	RAM TTL Isoplanar 64 x 9 BIT
MB8128-15	315-0125	U37,U38(A)	16384-BIT STATIC RAM (NMOS)
MM5837	315-0035	U2(A)	Organ Noise Generator
NE555	314-0001	U6,U7,U18(A) U7,U12(C)	Timer
NE556	313-0022	U50(A)	Dual Timer
7406	314-0146	U30(A)	Hex Inverter/Buffer, drivers with open collectors - high volt O/P
7416	314-0146	U4(C)	Hex Inverter/Buffer
7417	314-0051	U31(A)	Hex Buffer/Driver with open collectors - high volt O/P
7426	314-0031	U67(A)	Quad-2 input high volt interface positive NAD gate
74123	314-0016	U21,U22, U45,U46(A)	Dual retriggerable monostable multivibrators with clear
74393	314-0030	U49(A)	Dual-4 MIT Binary Counter
74LS00	314-0018	U10,U52(B)	Quad-2 Input NAD Gate
74LS02	314-0078	U9(B)	Quad-2 Input NOR Gate
74LS04	314-0019	U25,U42,U44,U60, U94,U101(A), U11,U22,U55,U71, U84,U99(B)	Hex inverter
74LS08	314-0058	U54(A),U76(B)	Quad-2 Input NAD Gate
74LS10N	314-0059	U84(A)	Triple-3 Input NAND Gate
74LS20	314-0060	U24,U32,U51, U108(B)	Dual-4 Input NAND Gate

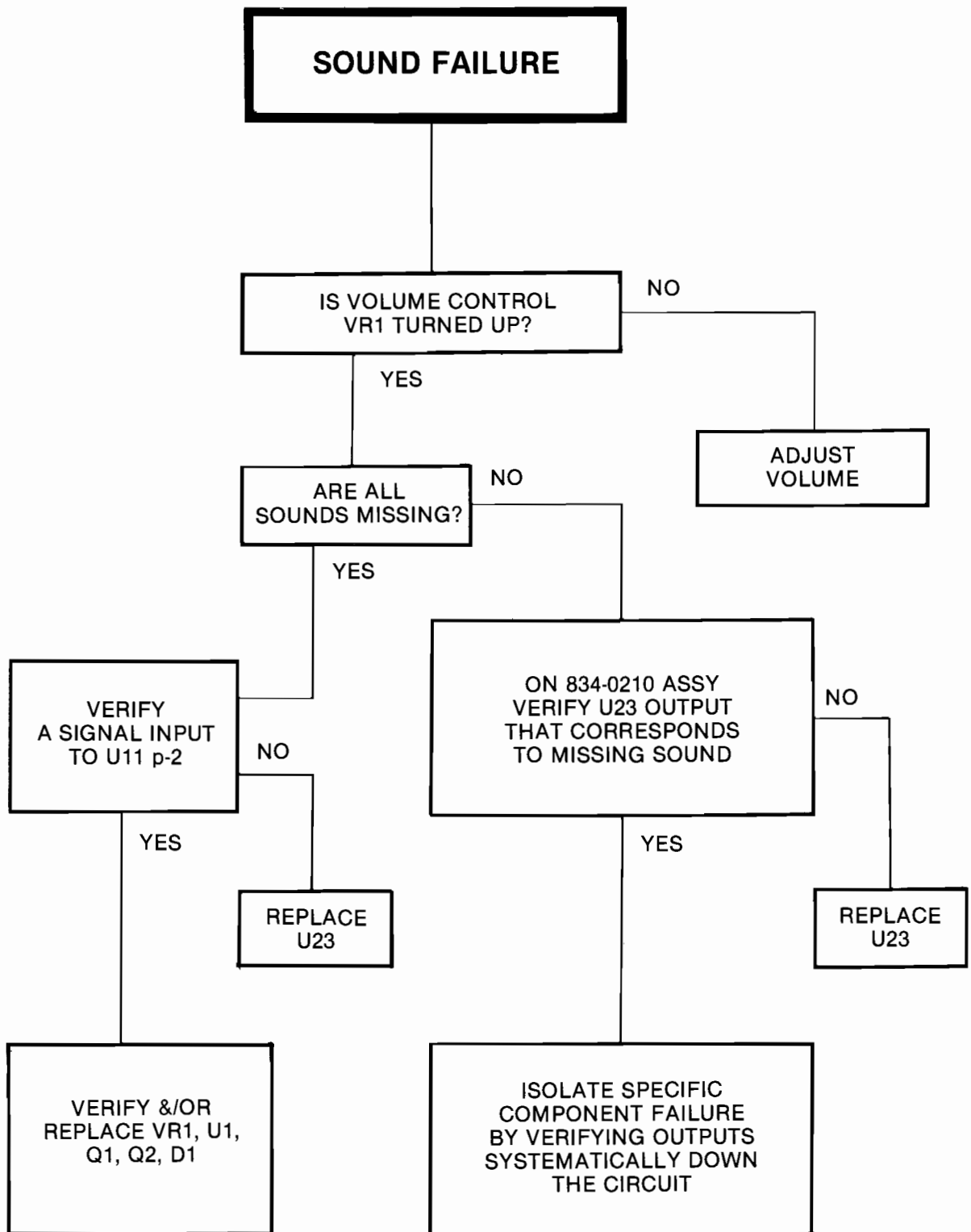
<u>IC No.</u>	<u>Part No.</u>	<u>Location No.</u>	<u>Description</u>
74LS27	314-0066	U99(A),U109(B)	Triple-3 Input NOR
74LS30	314-0067	U61,U77(A),U6(B)	8-Input Positive NAND Gate
74LS32	314-0068	U62,U63,U80(A), U35(B)	Quad-2 Input OR Gate
74LS74	314-0062	U51,U78,U89(A), U28,U29,U45(B)	Dual D-type positive edge-triggered Flip-Flops with preset and clear
74LS86	314-0070	U93(A),U4,U12, U12,U23,U95, U107(B)	Quad-2 Input Exclusive OR Gate
74LS109	314-0237	U110(B)	Dual-positive edge-triggered Flip-Flop
74LS132	314-0056	U53(A)	Quad-2 Input NAND Schmitt Triggers
74LS138	314-0104	U33,U57-U59(A), U7(B)	3 to 8 Line Decoder/Demultiplexers
74LS139	314-0087	U32(A),U8(B)	Dual-2 to 4 Line Decoder/ Demultiplexers
74LS157	314-0076	U48,U74-U76, U92,U100(A), U18,U37,U39,U47, U49,U50,U59,U66, U105,U106(B)	Quad-2 to 1 Line Data Selector/ Demultiplexer (non inverted O/P)
74LS161	314-0097	U26,U27,U30, U31,U48(B)	Binary Counter, Asynchronous Clear
74LS174	314-0072	U95,U97(A),	Hex D-type Flip-Flop
74LS175	314-0073	U36,U40,U41,U65, U66,U83(A)	Quad D-type Flip-Flop
74LS240	314-0083	U88(A)	Octal Buffer/Driver/Receiver (inverted 3-state O/P)
74LS244	314-0055	U34,U39,U95(A), U3(B)	Octal Buffer/Driver/Receiver (inverted 3-state O/P)
74LS245	314-0099	U43,U85(A), U57(B)	Octal Bus Transceiver
74LS259	314-0143	U55,U56(A)	8-BIT Addressable Latch

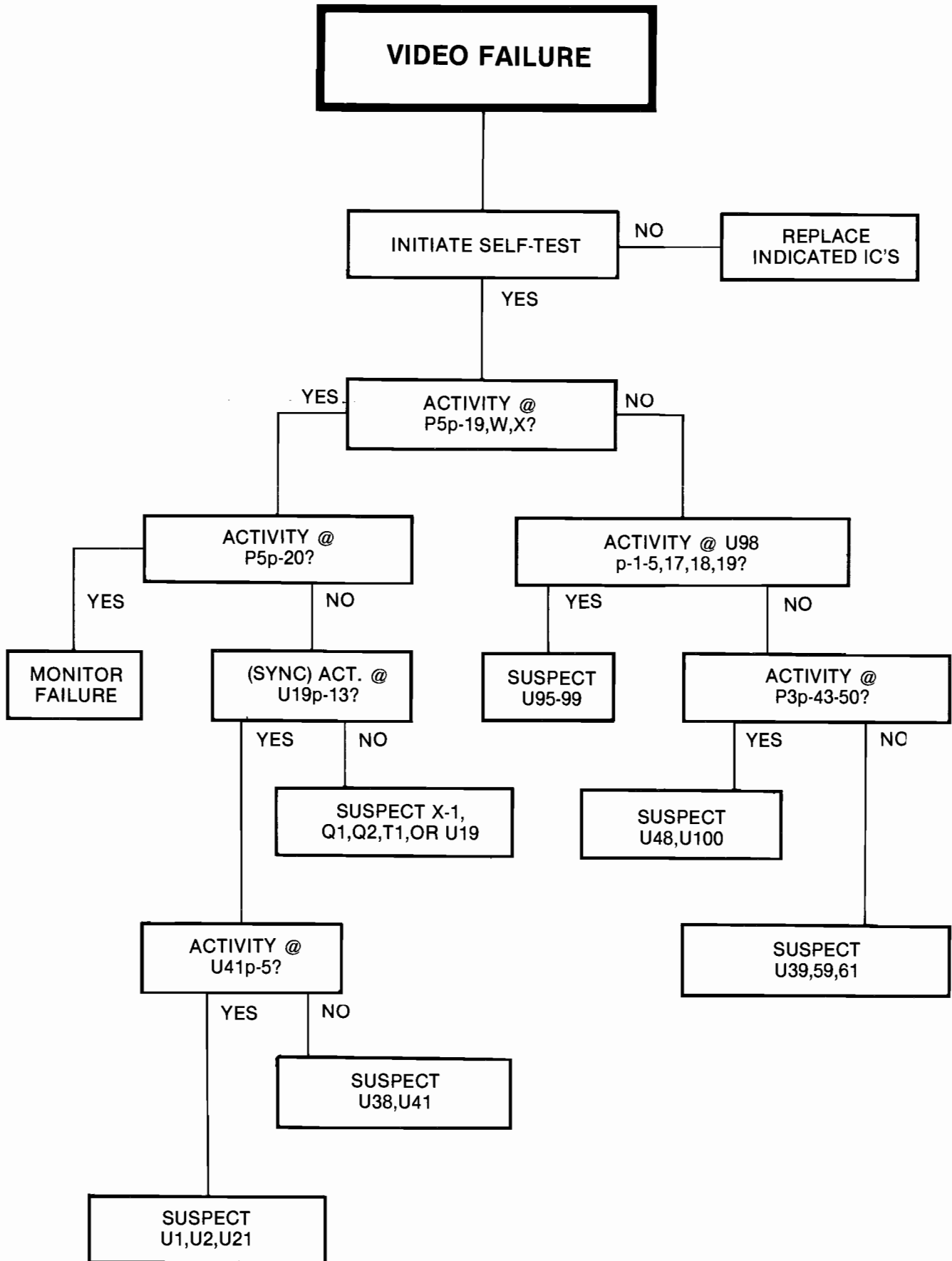
<u>IC No.</u>	<u>Part No.</u>	<u>Location No.</u>	<u>Description</u>
74LS273	314-0100	U16,U25,U96, U97,U100(B) U85(B)	Octal D-type edge-triggered Flip-Flop
74LS283	314-0101	U14,U15,U33,U34, U53,U54,U56, U72-U75,U81-U83, U98(B)	4-BIT Binary Full-Adder, look ahead carry
74LS299	314-0122	U90,U91(A), U68-U70,U102- U104(B)	8-BIT Register, bi-directional universal shift/storage
74LS353	314-0272	U81,U82,U86, U87(A)	Dual 4 to 1 Line Data Selector
74LS367	314-0102	U26,U35,U47, U64(A),U94,U101, U118(B)	Hex Bus Driver
74LS368	314-0103	U5(B)	Hex Inverter, 3-state
74LS374	314-0093	U80,U114, U117(B)	Octal D-type edge-triggered Flip-Flop, 3 state
74LS377	314-0119	U73(A),U67, U86,U115(B)	Octal D-type Flip-Flop
74S112	314-0151	U38(B)	Dual-negative edge-triggered Flip-Flop
74S139	314-0178	U41(B)	Dual 2 to 4 Line Decoder/ Demultiplexer
74S163	314-0139	U1,U2,U21, U44,U64(B)	Binary Counter, Synchronous clear
74S260	314-0276	U58(B)	Dual-5 Input NOR Gate
74S373	314-0275	U61(B)	

PLEASE NOTE: (A), (B) or (C) following the Location No. indicates that number can be found on Assy. 1C Bd. A, Assy. 1C Bd. B, or Sound Board, respectively.

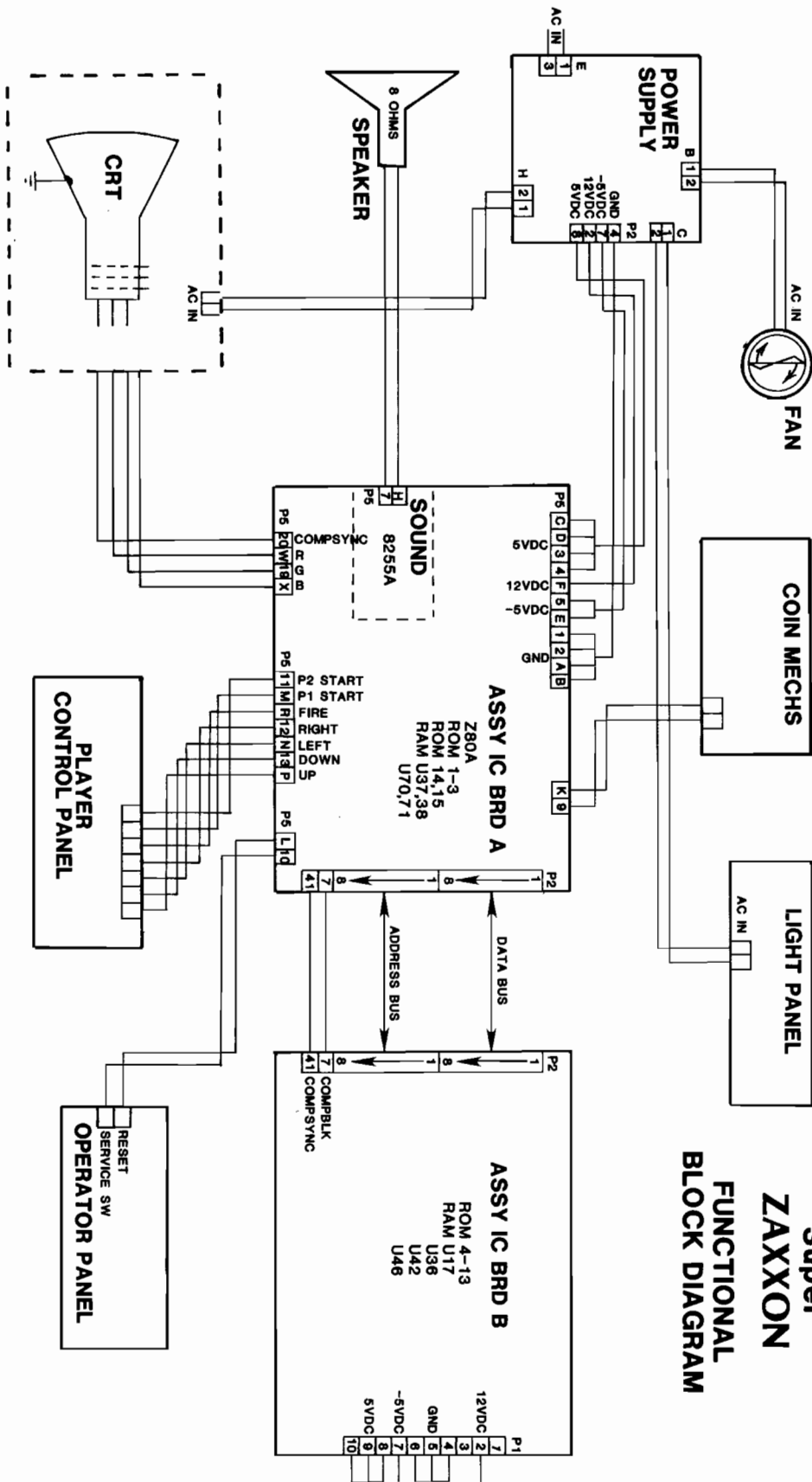








Super ZAXXON FUNCTIONAL BLOCK DIAGRAM



Upright Assemblies

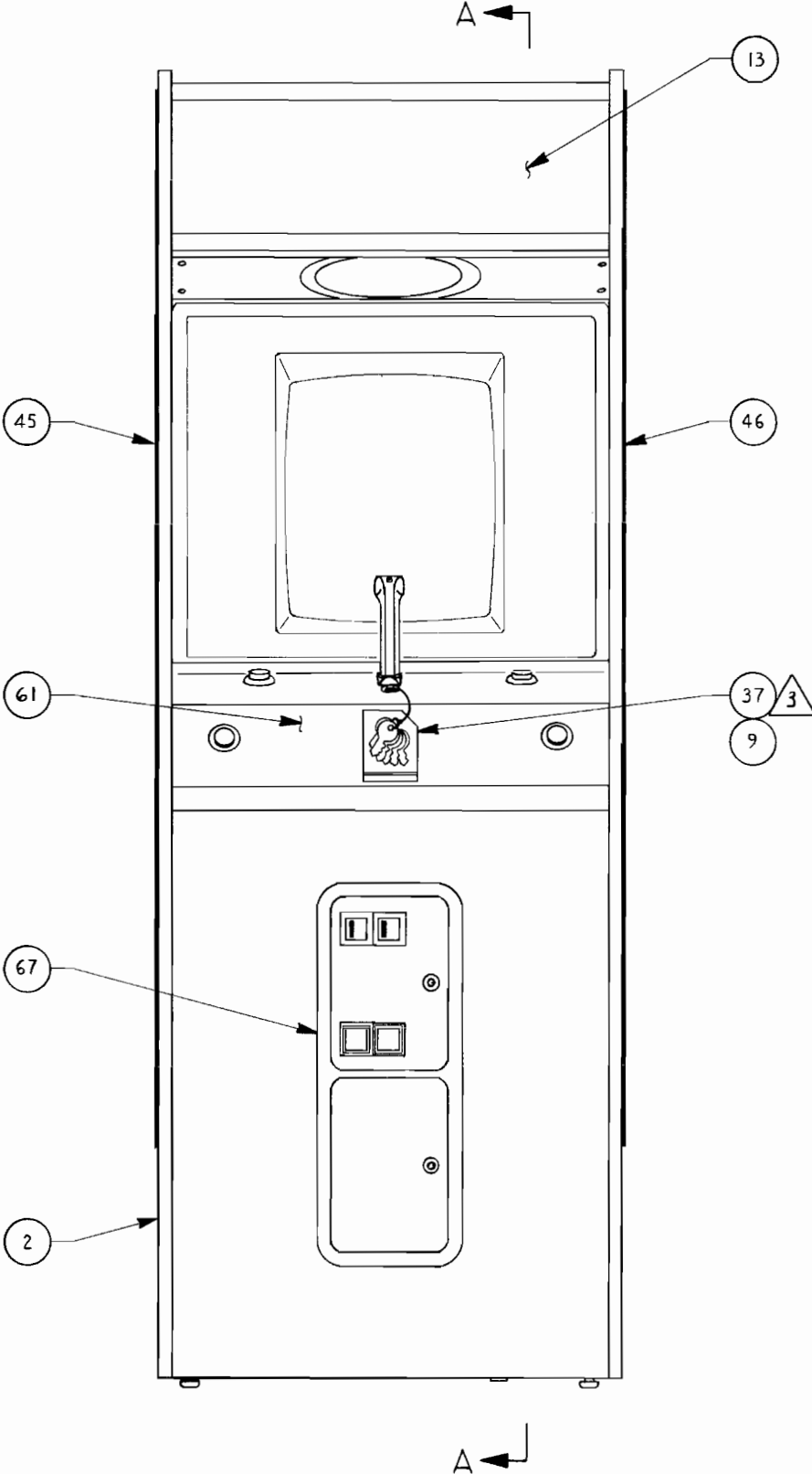
TOP ASSEMBLY GAME, SUPER ZAXXON

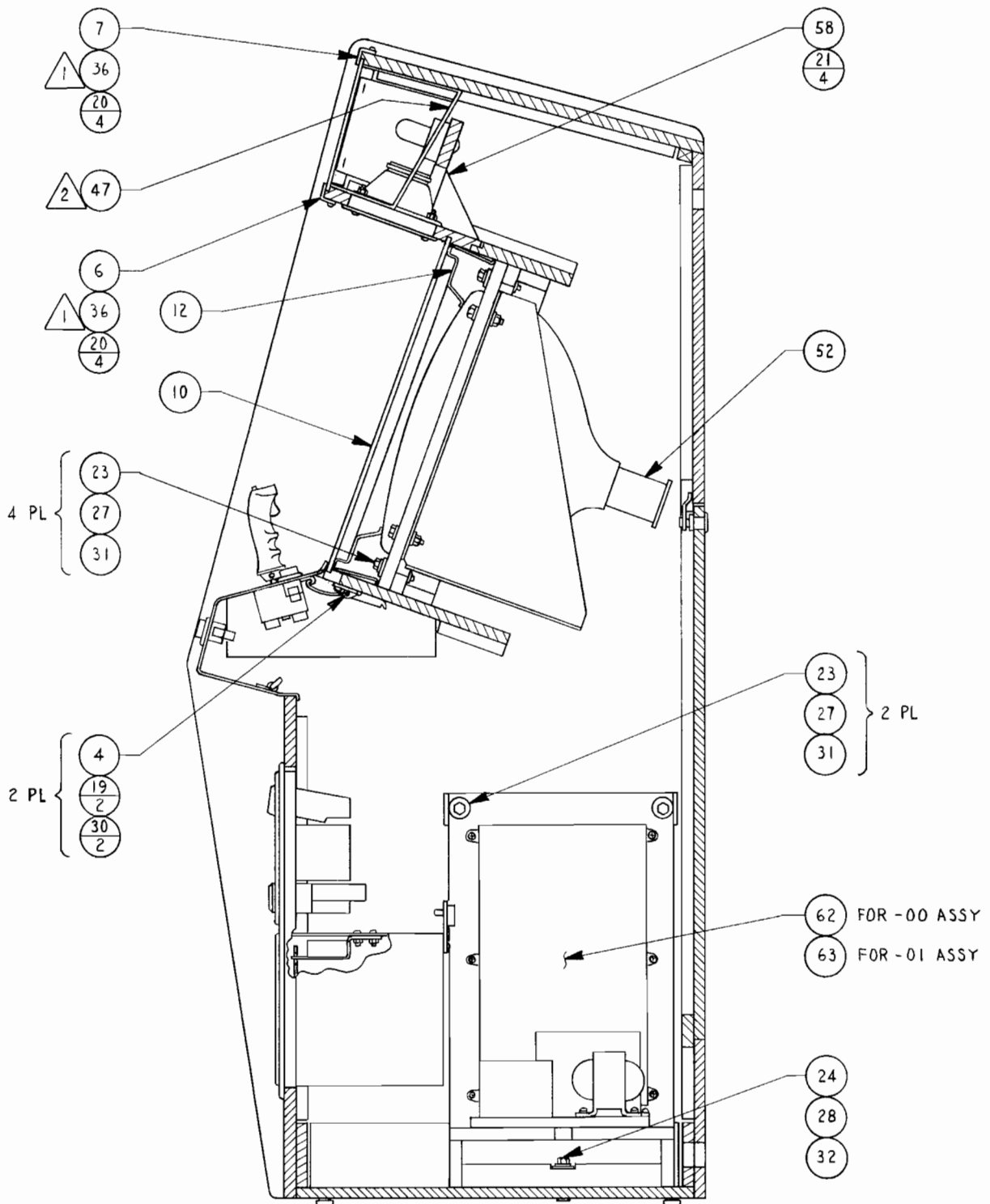
DRAWING NUMBER 700-0108

<u>ITEM NO.</u>	<u>PART NO.</u>	<u>QTY. REQ'D</u>		<u>DESCRIPTION</u>
		-00	-01	
1	140-0021	1	1	Cover J-Box
2	140-0099	1	1	Cabinet, Upright Model 101
3				
4	220-0178	2	2	Draw Catch
5				
6	250-0568	1	1	Moulding, Logo Panel
7	250-0568	1	1	Moulding, Logo Panel
8				
9	253-0238	1	1	Plastic Bag
10	253-0259	1	1	Monitor Panel
11	253-0281	1	1	Envelope Heavy Duty
12	253-0284	1	1	Bezel, Plastic, CRT Vertical
13	253-0286	1	1	Panel, Logo
14				
15	280-0005	40	40	Cable Tie
16	280-0324	1	1	Cable Clamp, Nylon
17	280-0475	A/R	A/R	Staple
18				
19	281-0045	7	7	SCR #10-16 X .750 Pan Hd, Phil
20	281-0134	8	8	SCR #8-15 X .750 Pan Hd, Phil Black
21	281-0185	4	4	SCR #10-16 X 1.500 82° Flat Hd, Black
22				
23	282-0017	6	6	Bolt 1/4-20 X 1.500 Hex Hd

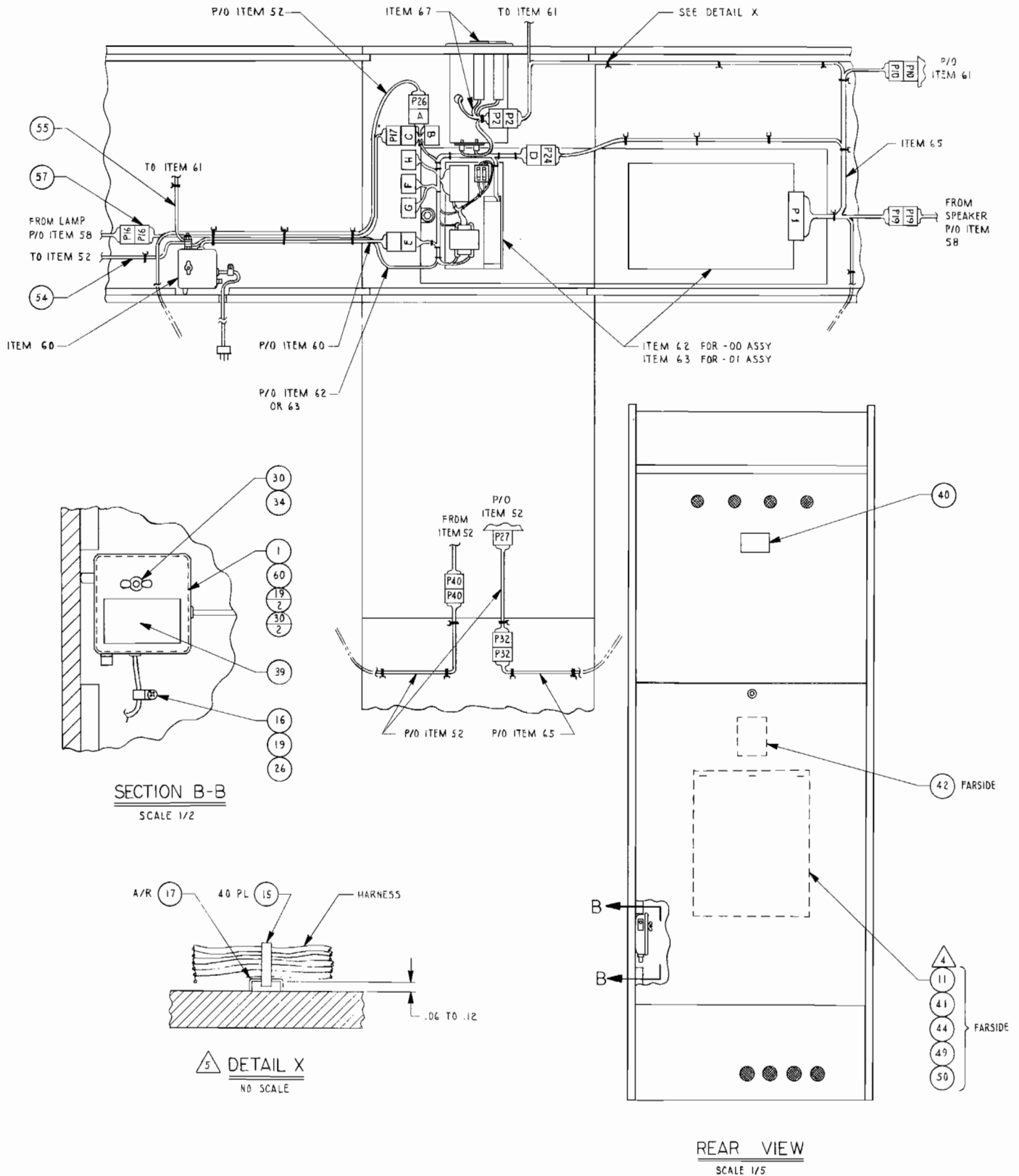
<u>ITEM NO.</u>	<u>PART NO.</u>	<u>QTY. REQ'D</u>		<u>DESCRIPTION</u>
		<u>-00</u>	<u>-01</u>	
24	282-0019	1	1	Bolt 3/8-16 X 2.000 Hex Hd
25				
26	283-0060	1	1	Washer #10 - .562 Flat, Steel
27	283-0060	6	6	Washer 1/4-1.250 Flat, Steel
28	283-0060	1	1	Washer 3/8 - 1.000 Flat, Steel
29				
30	283-0061	7	7	Washer #10 Lock, Split, Steel
31	283-0061	6	6	Washer 1/4 Lock, Split, Steel
32	283-0061	1	1	Washer 3/8 Lock, Split, Steel
33				
34	283-0071	1	1	Nut #10-24 Wing, Steel
35				
36	320-0020	4'	4'	Sealant Foam
37	320-0051	1'	1'	Tie Ribbon, Wire, Plastic Coated
38				
39	420-0030	1	1	Decal, Caution 115V
40	420-0568	1	1	Decal, FCC
41	420-0713	1	1	Advertising Pouch
42	420-0793	1	1	Decal, Toll Free Numbers
43	420-0837	1	1	Decal, Box
44	420-0838	1	1	Manual, Super Zaxxon
45	420-0846	1	1	Graphic, Left Side
46	420-0847	1	1	Graphic, Right Side
47	420-0864	1	1	Light Baffle
48				

<u>ITEM NO.</u>	<u>PART NO.</u>	<u>QTY. REQ'D</u>		<u>DESCRIPTION</u>
		-00	-01	
49	540-0006	1	1	Wrench for M4 Screw
50	540-0007	1	1	Wrench for M5 Screw
51				
52	800-0362	1	1	Monitor Assembly, Vertical Mount
53				
54	800-0408	1	1	Ground Strap Assembly
55	800-0408	1	1	Ground Strap Assembly
56				
57	800-0413	1	1	Lamp AC Interface Harness Assembly
58	800-0415	1	1	Light and Speaker Assembly
59				
60	800-3244	1	1	Assembly, Junction Box
61	800-3296	1	1	Assembly, Control Panel
62	800-3297	1	-	Component Shelf Assembly
63	800-3297	-	1	Component Shelf Assembly
64				
65	800-3298	1	1	Master Harness Assembly
66				
67	800-3312	1	1	Assembly, Coin System





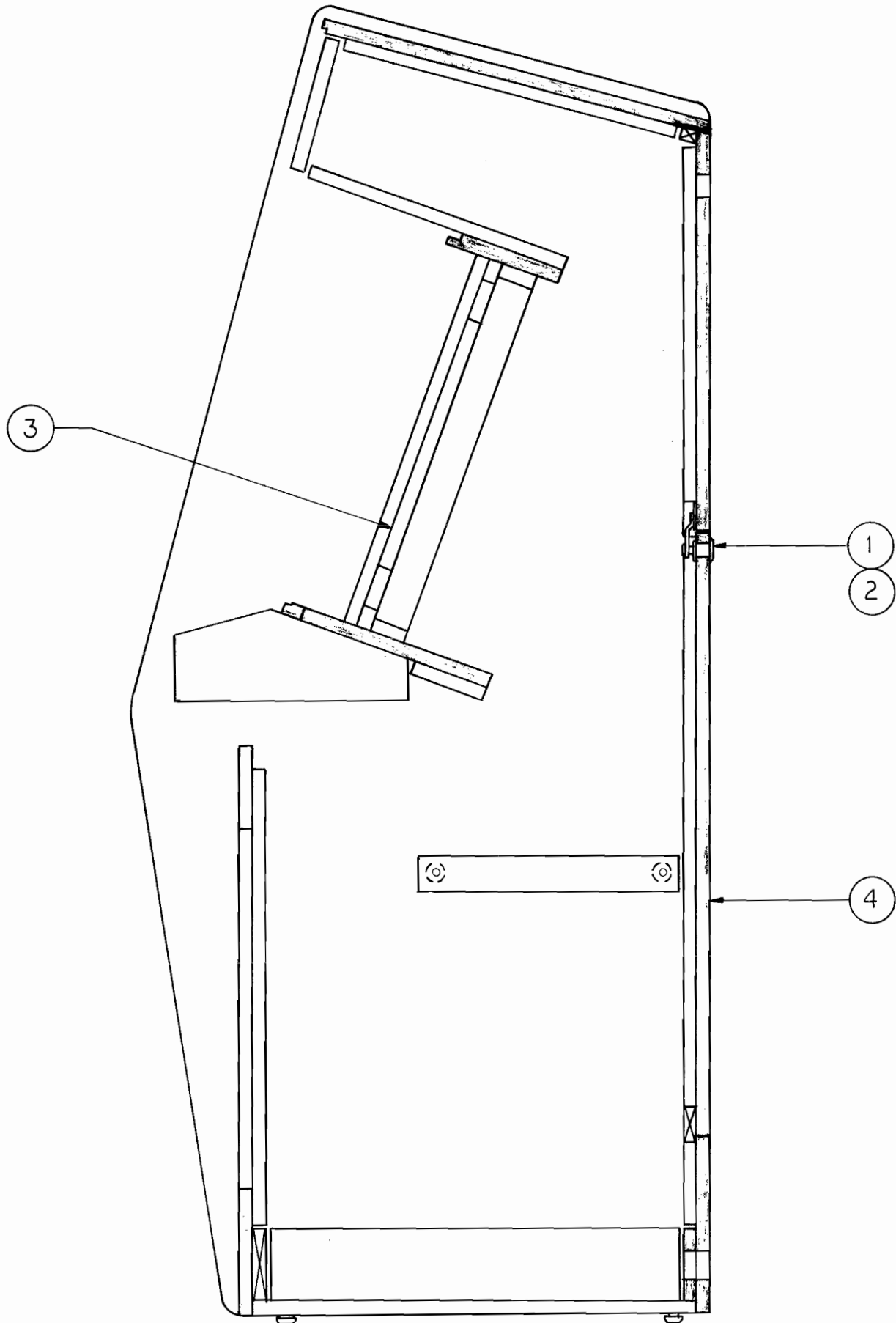
SECTION A-A



CABINET UPRIGHT, MODEL 101

DRAWING NUMBER 140-0099-00

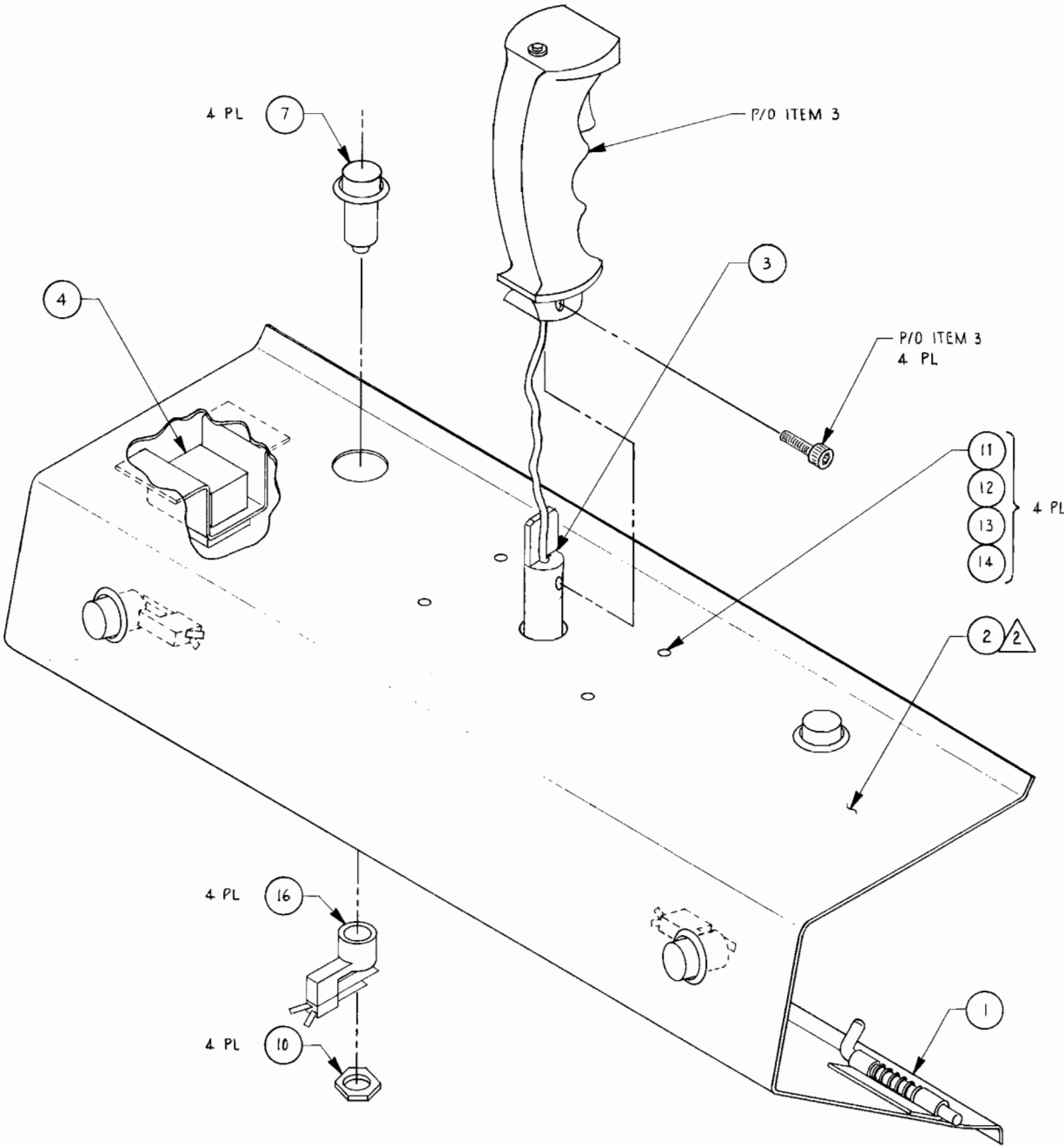
<u>ITEM NO.</u>	<u>PART NO.</u>	<u>QTY. REQ'D</u>	<u>DESCRIPTION</u>
1	220-0212	1	Lock
2	250-0507	1	Retainer, Lock
3	252-0180	2	Support, Monitor MTG Board
4	252-0196	1	Panel, Access, Rear

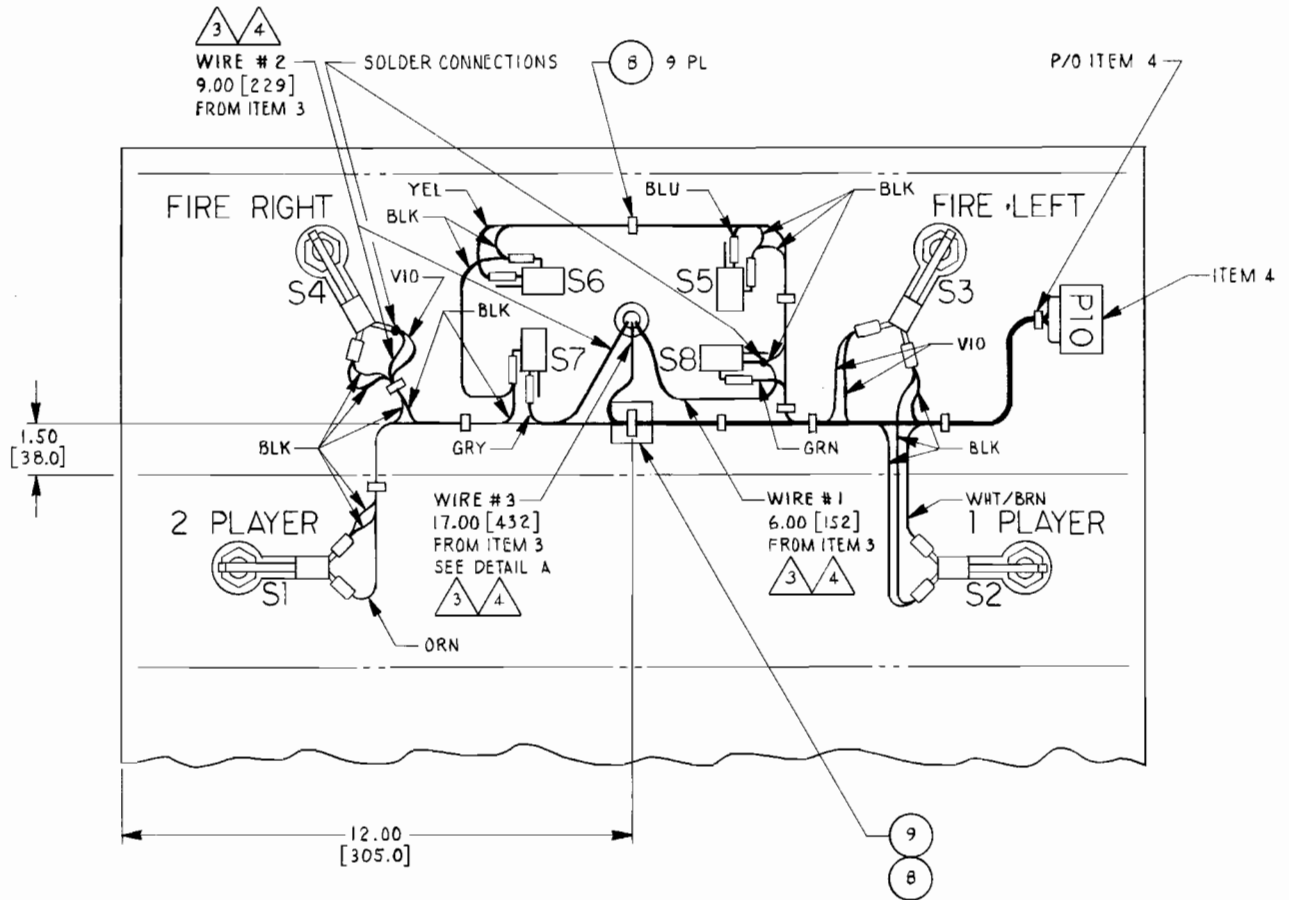


ASSEMBLY CONTROL PANEL

DRAWING NUMBER 800-3296-00

<u>ITEM NO.</u>	<u>PART NO.</u>	<u>QTY. REQ'D</u>	<u>DESCRIPTION</u>
1	250-0570	1	Control Panel
2	253-0287	1	Graphic, Control Panel
3	800-3272	1	Assembly, Joystick
4	800-3311	1	Assembly, Harn, Control Panel
5			
6	211-0041	1	Conn Pin AMP
7	240-0006	4	Button Plunger Red
8	280-0005	10	Cable Tie
9	280-0327	1	Base Tir Wrap
10	280-0329	4	Nut Hex Pal 1/2 - 13
11	282-0005	4	Bolt 10-24 x .750 LG CRG
12	283-0060	4	Washer - #10 Flat, Steel
13	283-0061	4	Washer - # 10 Lock, Split, Steel
14	283-0070	4	Nut 10-24 Hex Slflkg
15			
16	510-0064	4	Switch Pushbutton Metal Panel





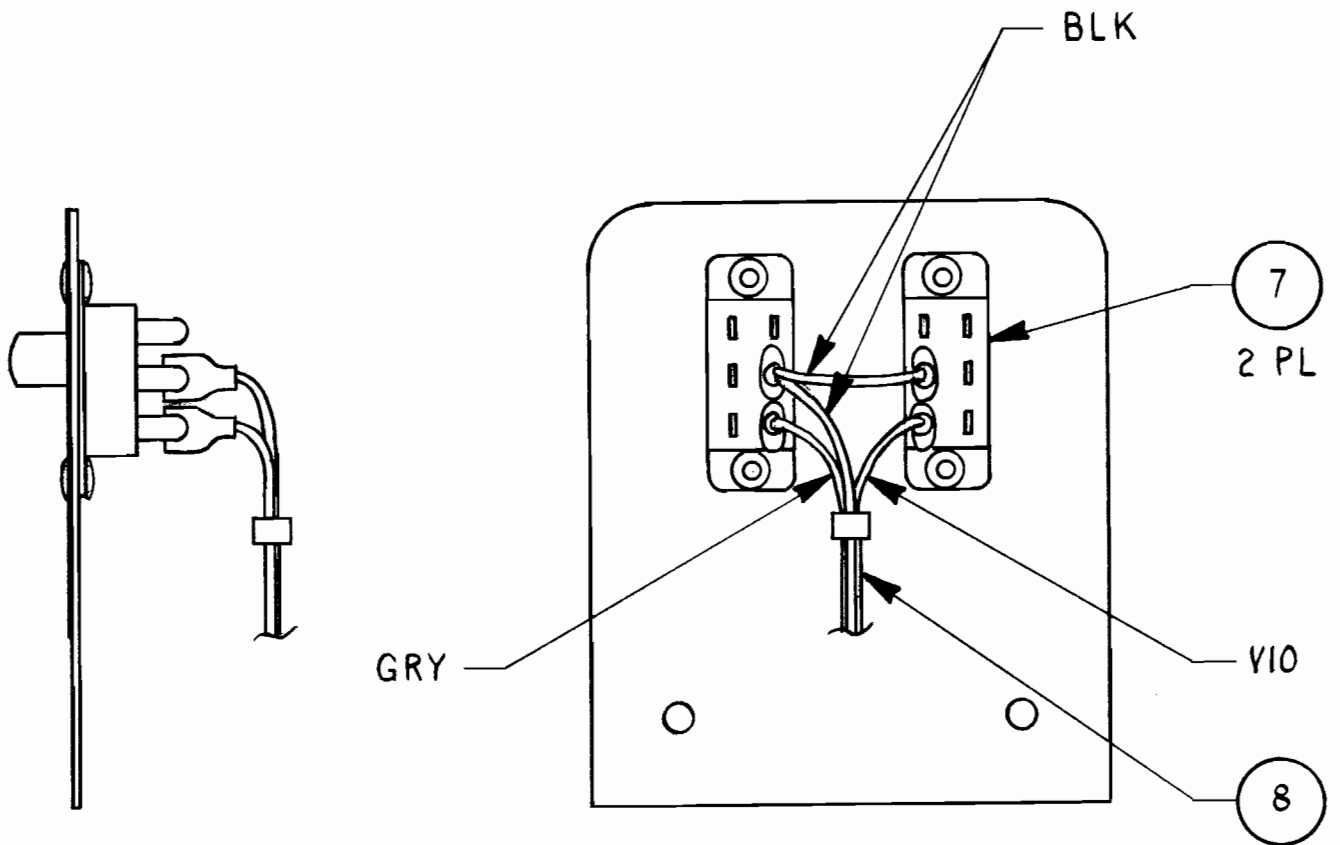
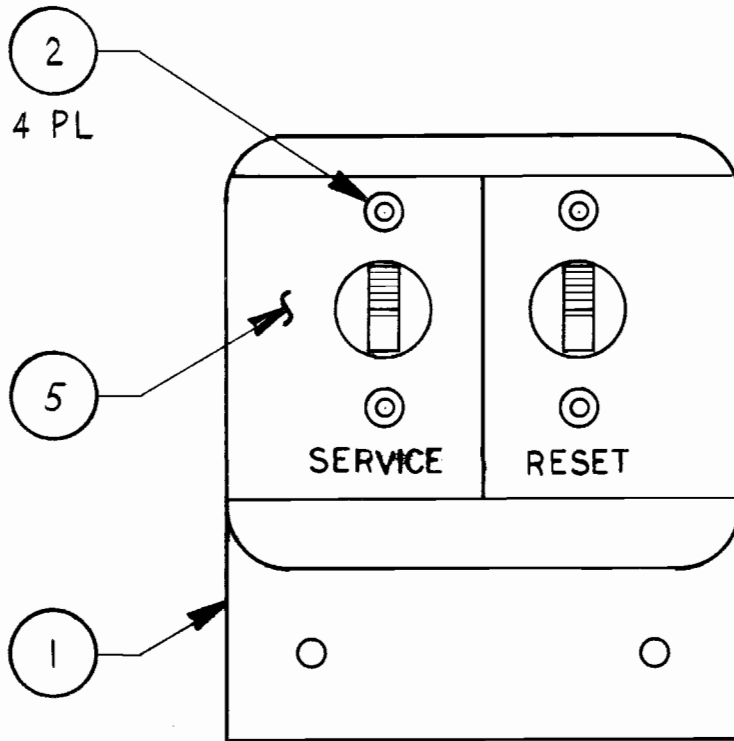
SERVICE AND RESET BLOCK ASSEMBLY

DRAWING NUMBER 800-3313

<u>ITEM NO.</u>	<u>PART NO.</u>	<u>QTY. REQ'D</u>	<u>DESCRIPTION</u>
1	250-0594	1	Bracket, Service and Reset Switches
2	289-0003	4	Ey1t .121 Dia X .125
3			
4			
5	420-0863	1	Decal, Service and Reset Switches
6			
7	510-0051	2	SW Pushbutton Slide
8	800-0418	1	Harness, Service and Reset Block

Service & Reset Block Assembly

800-3313



A.C. JUNCTION BOX ASSEMBLY

DRAWING NUMBER 800-3244

<u>ITEM NO.</u>	<u>PART NO.</u>	<u>QTY. RED'D</u>	<u>DESCRIPTION</u>
1	140-0020	1	Junction Box Metal
2	211-0165	2	Conn Quick Fem Fully Ins1. .250 X .032 (AWG 18-22)
3	211-0164	4	Conn Quick Fem Fully Ins1. .187 X .020 (AWG 18-22)
4			
5	280-0361	1	Bushing S/Rel AC Cord
6	270-0001	1	Filter EMI
7	280-0007	1	Bushing S/Rel 1/2
8	280-0362	4	Electric Crimp Sleeve AWG 24-18
9	420-0598	1	Decal 2 Amp Fuse
10	510-0013	1	Switch SPDT Cherry
11	514-0001	1	Fuse 2 AMP 250V S.B.
12	514-0005	1	Holder Fuse
13	600-0001	1	Cord Line 3 Cond.
14			
15	600-0079	2'	Cord Line Zip
16	280-0005	2	Cable Tie
17	281-0002	2	SCR PN HD Phil #6-32 X .625 Mach
18	283-0022	2	Nut Hex HD # 6 - 32 Mach
19	284-0042	2	Washer Lock Int. Tooth #6
20	281-0004	1	SCR PN HD Phil # 8-32 X .750 Mach
21	283-0024	2	Nut Hex HD #8-32 Mach
22	284-0044	1	Washer Lock Int. Tooth #8
23			

A.C. JUNCTION BOX ASSEMBLY

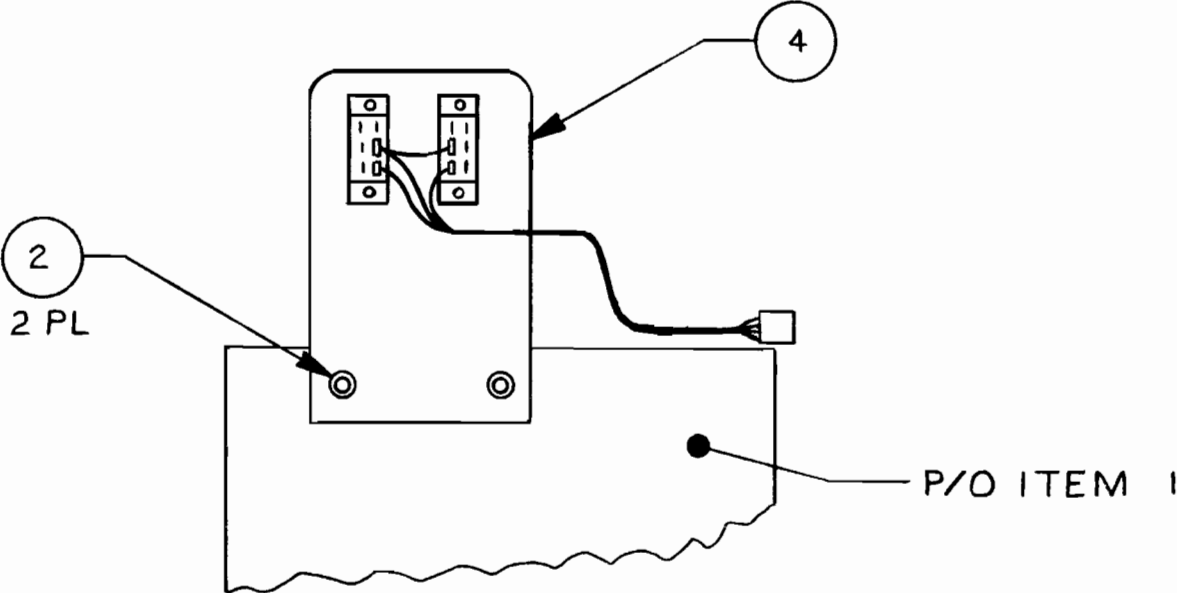
DRAWING NUMBER 800-3244

<u>ITEM NO.</u>	<u>PART NO.</u>	<u>QTY. REQ'D</u>	<u>DESCRIPTION</u>
24	284-0007	1	Washer Flat STD O.D. # 1/4
25	283-0025	1	Nut Hex HD #10 -24 Mach
26	282-0005	1	Bolt Carriage #10-24 X 1.750 Mach
27	310-0016	1	Insul TBG .187 ID
28	284-0004	2	Washer Flat STD O.D. #8

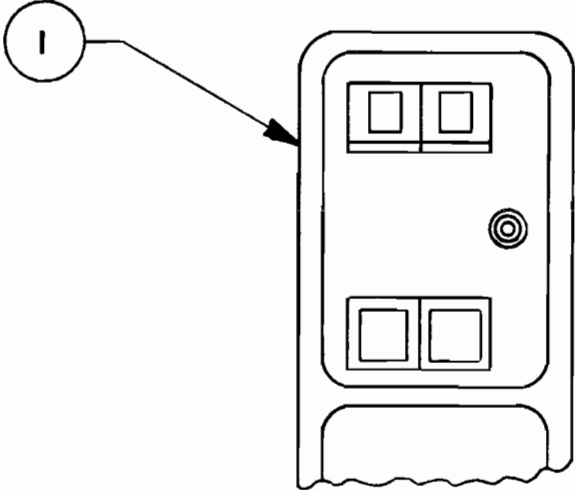
COIN SYSTEM ASSEMBLY

DRAWING NUMBER 800-3312-00

<u>ITEM NO.</u>	<u>PART NO.</u>	<u>QTY. REQ'D</u>	<u>DESCRIPTION</u>
1	220-0265	1	Coin Mech - Double Frame, Mini-Door
2	285-0001	2	Rivet .125 Dia X .250
3			
4	800-3313	1	Assembly Service and Reset Block



REAR VIEW OF
COIN ENCLOSURE

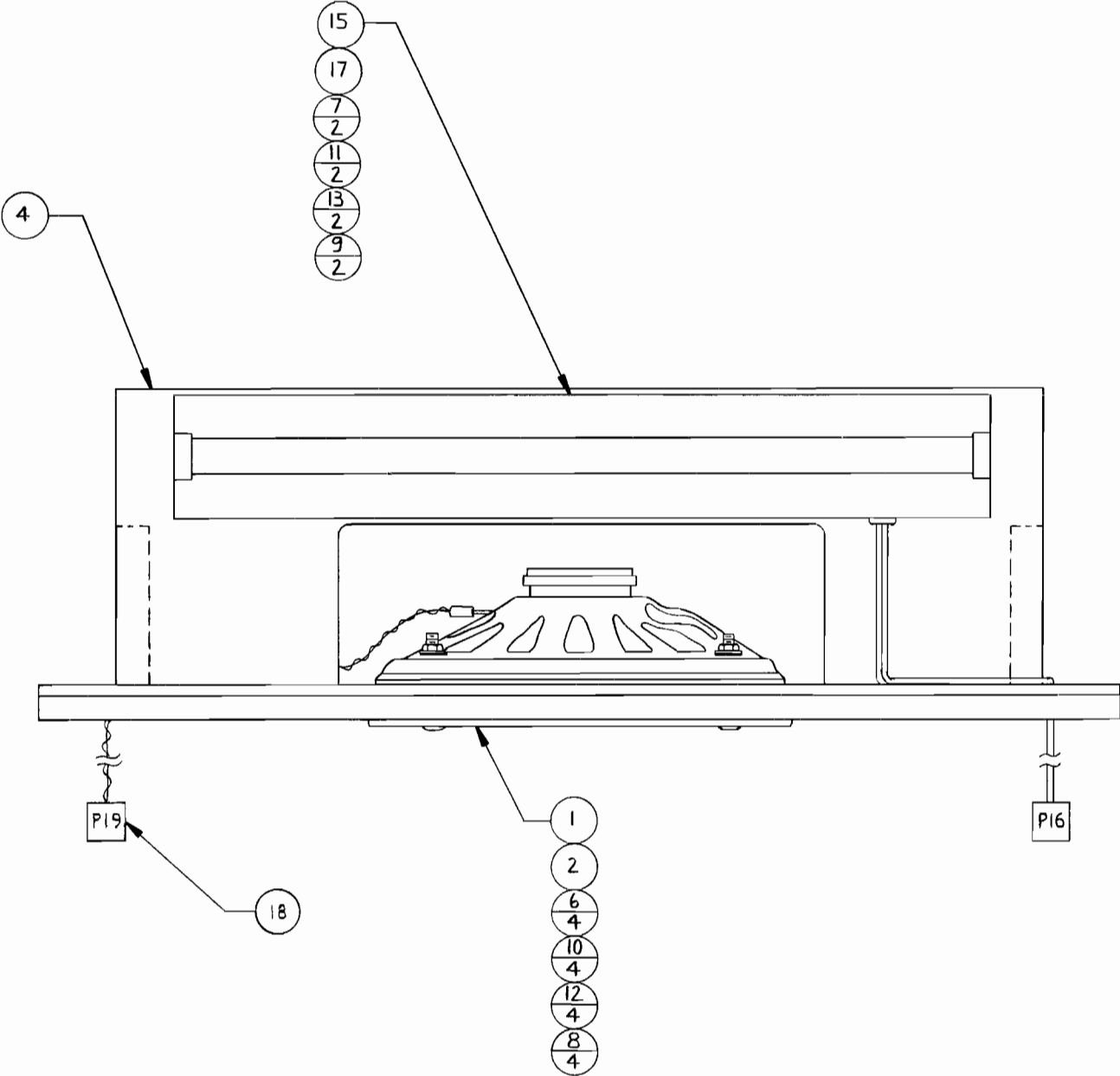


FRONT VIEW

LIGHT AND SPEAKER ASSEMBLY
 LIGHT AND SPEAKER ASSEMBLY

DRAWING NUMBER 800-0415-00
 DRAWING NUMBER 800-0415-01

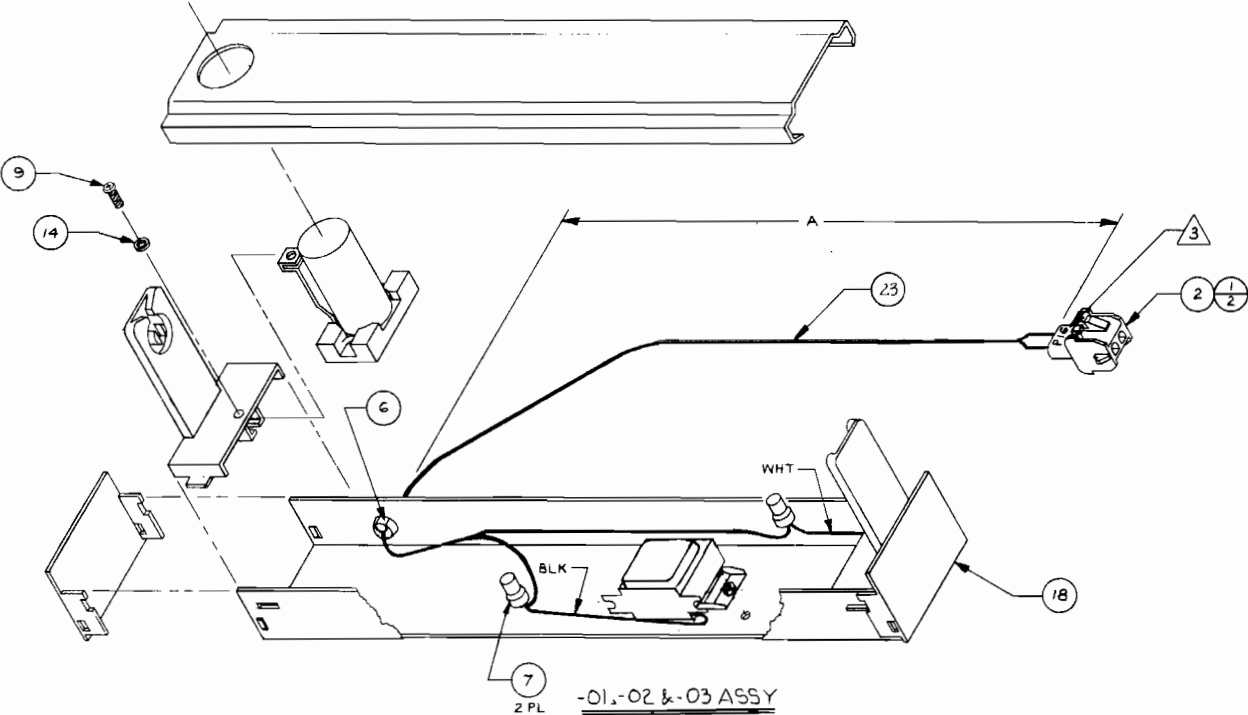
<u>ITEM NO.</u>	<u>PART NO.</u>	<u>QTY. REQ'D</u>	<u>DESCRIPTION</u>
1	130-0002	1	Speaker, Cover
2	130-0020	1	Speaker 6 X 9, 10W
3			
4	252-0213	1	Panel, Speaker and Light
5			
6	281-0014	4	SCR 8-32 X 1.75 Lg OVH Phi1
7	282-0005	2	BLT 10-24 X 1.25 Lg CRG HD
8	283-0072	4	Nut 8-32 Hex
9	283-0072	2	Nut 10-24 Hex
10	283-0060	4	Washer #8 F1, St1
11	283-0060	2	Washer #10 F1, St1
12	283-0061	4	Washer #8 Lock, Split, St1
13	283-0061	2	Washer #10 Lock, Split, St1
14			
15	390-0019	1	Lamp Fluor
16			
17	800-0147	1	Fluor Lamp Assembly
18	800-0371	1 (-00)	Speaker Harness Assembly
19	800-0412	1 (-01)	Speaker Harness Assembly



FLUORESCENT LAMP 2 ASSEMBLY

DRAWING NUMBER 800-0147-03

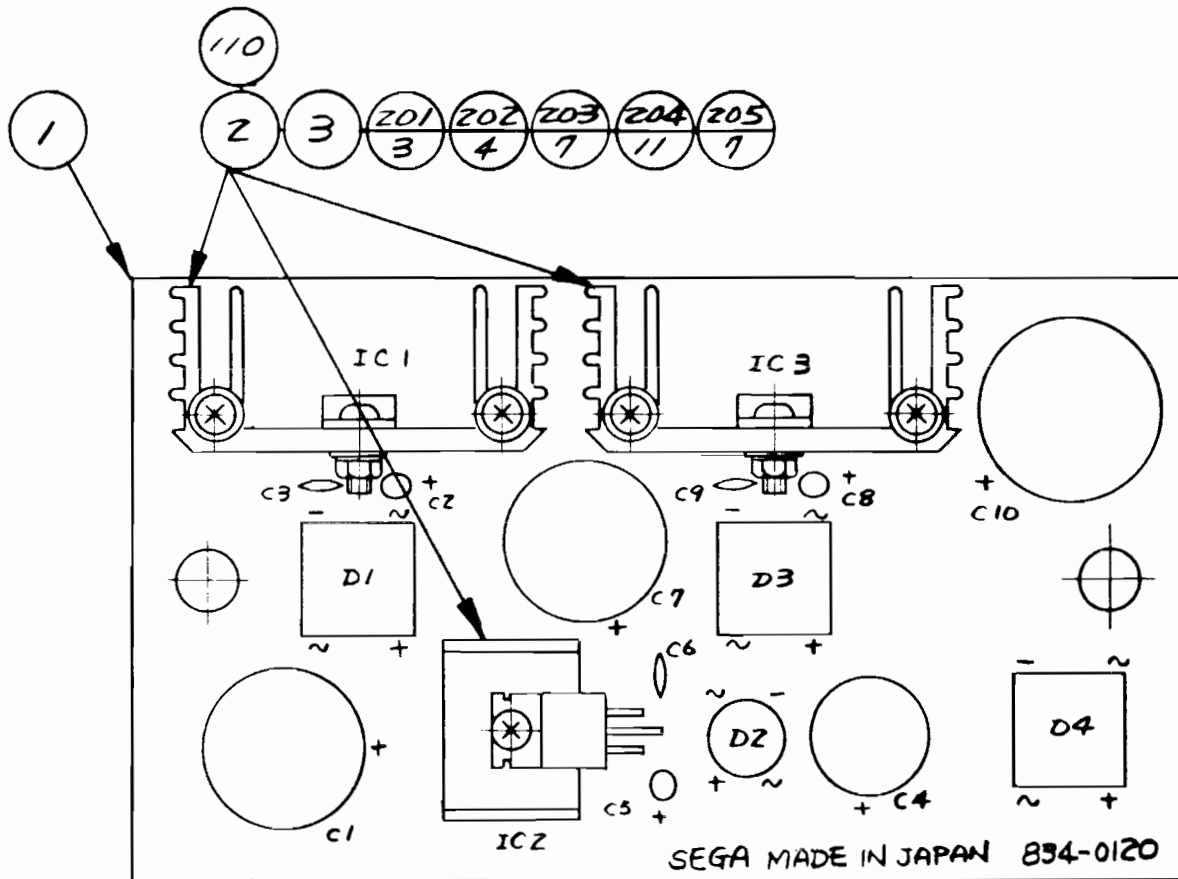
<u>ITEM NO.</u>	<u>PART NO.</u>	<u>QTY. REQ'D</u>	<u>DESCRIPTION</u>
1	211-0041	2	Conn Pin AMP
2	211-0044	1	Conn Cap AMP 2 Pin
3			
4			
5			
6	280-0361	1	Bshg Str Rlf AC Cord
7	280-0362	2	Elec CRP SL 24-18 Awg
8			
9	281-0002	1	SCR #6-32 X 3/8" PN HD Mach
10			
11			
12			
13			
14	284-0002	1	Washer Flat Std O.D. #6
15			
16			
17			
18	390-0117	1	Fluor Lamp Fxt 18 IN U.L.
19			
20			
21			
22			
23	600-0079	4.0'	CA 2 Cond Zip Cord



REGULATOR BOARD ASSEMBLY

DRAWING NUMBER 834-0120

<u>ITEM NO.</u>	<u>PART NO.</u>	<u>QTY. REQ'D</u>	<u>DESCRIPTION</u>
1	171-0063	1	Printed Board
2	530-0021	1	Heat Sink, 6.2 oc/W, L=40
3	530-0024	1	Heat Sink
101	313-0091	1	IC UA78M12UC
102	313-0058	2	IC UA7812UC
103	481-0042	1	Diode Bridge W06 (Gen. Inst.)
104	481-0065	3	Diode Bridge SZVB10 (Shindengen)
105	150-0008	1	CAP E 2200MF 25V U-TYP
106	150-0189	2	CAP E 3300 MF 25V U-TYP
107	150-0216	1	CAP E 4700 MF 35V U-TYP
108	153-0002	3	CAP Tant 1 MF 25V
109	151-0041	3	CAP Cer 0.1 MF 25V
110		1g	Thermal Joint Compound, 2008/Tube (Castall No. 800-1)
201		3	M. Screw, P.H. Phill., ISO
202		4	M. Screw, P.H. Phill., ISO
203		3	M. Screw, P.H. Phill., ISO
204		11	Flat Washer, Small Type
205		7	Spring Washer

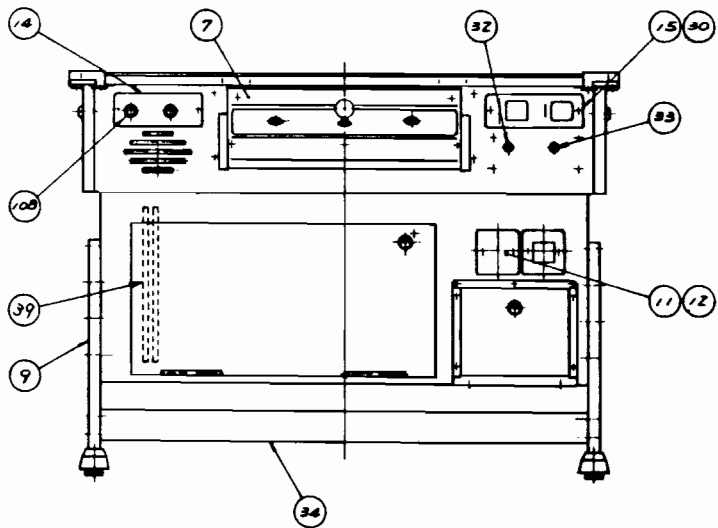
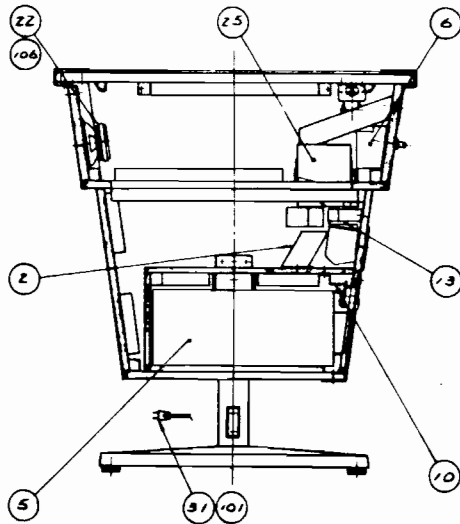
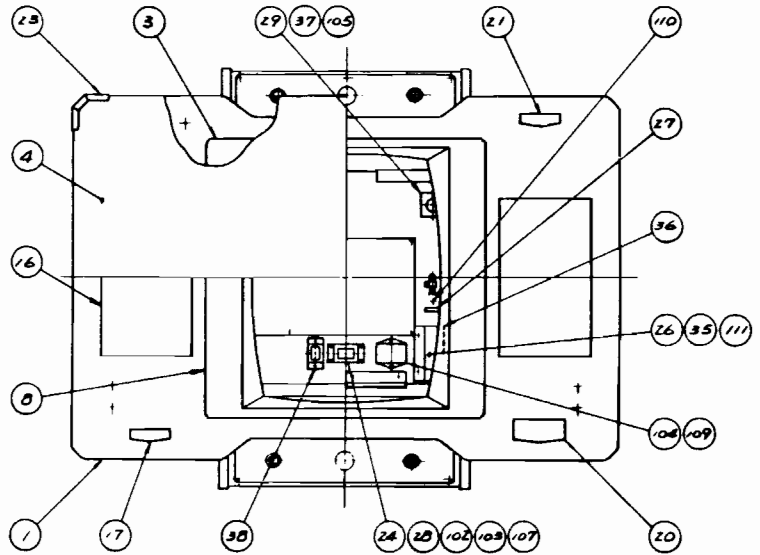
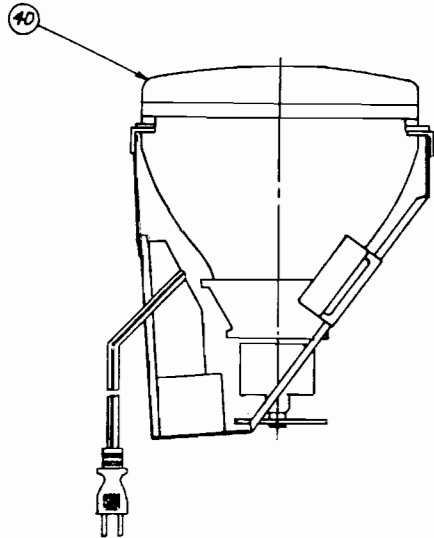


Cocktail Table Assemblies

TOP ASSEMBLY-COCKTAIL

DRAWING NUMBER 700-0112-00
700-0112-01

<u>ITEM NO.</u>	<u>PART NO.</u>	<u>QTY. REQ'D</u>		<u>DESCRIPTION</u>
		<u>-00</u>	<u>-01</u>	
1	834-0327	1	1	Assy Cabinet Accessory, T8
2	220-0190	2	2	Lower Coin Chute
3	601-0662	1	1	TV Mask, Gray Smoke
4	275-0078	1	1	Table Glass, Black
5	220-0191	1	1	Cash Box
8	601-0663	1	1	TV Mask, T8, 20"
9	601-0664	2	2	Leg Assy
15	117-0169	1	1	Coin Entry Plate, USA, 25¢ Twin
16	420-0895	2	2	Play Instruction Decal
20	420-0755	1	1	Denomination Decal, 25¢, 25¢
	601-0655	1	1	Denomination Decal, 25¢ x 2, 25¢ x 2
22	117-0170	1	1	Speaker Guard Plate
23	601-0542	4	4	Hook
25	220-0084	2	2	Coin Chute, Rejector Type, 25¢ x 1
30	117-0202	1	1	Denomination Plate, 25¢ x 2
	117-0171	1	1	Denomination Plate, 25¢
31	834-0329	1	1	Cable and Plug Assy
32	240-0120	2	2	Reject Button Assy
39	800-3309	1	-	Assy Game Electronics 2564
	800-3299	-	1	Assy Game Electronics 2764
40	200-0039	1	1	Color Display Assy, 20"
102	509-0039	1	1	Switch, Push Button Type
106	130-0017	1	1	Speaker, 12 x 8 cm, 8 ohm, 3W
107	601-0444	1	1	C & R Combination Element, 0.1uf
108	509-0117	1	1	Push Button Switch, Yellow, Illuminated
109	601-0429	1	1	Noise Filter, AC 250V, 4A

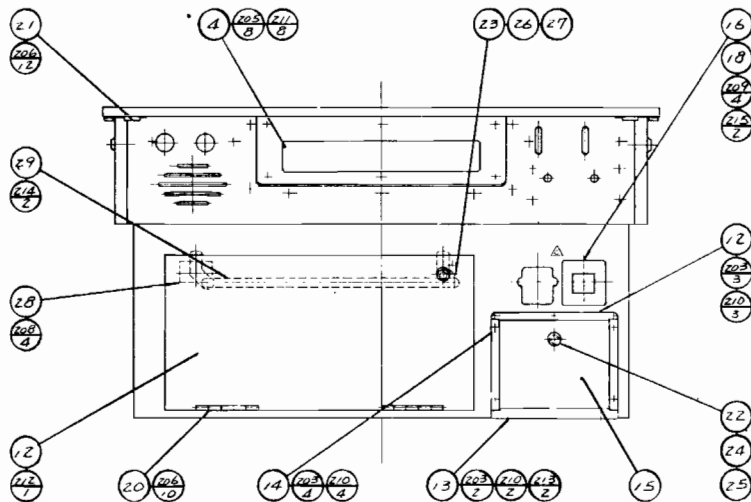
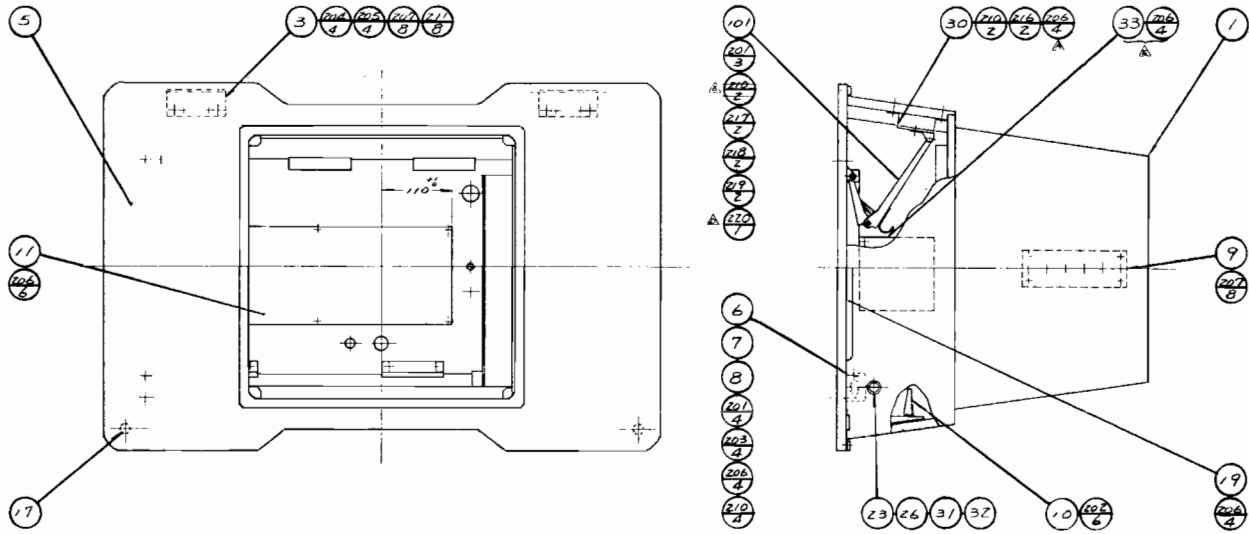


T8 CABINET ACCESSORY ASSEMBLY

DRAWING NUMBER 834-0327

<u>ITEM NO.</u>	<u>PART NO.</u>	<u>QTY. REQ'D</u>	<u>DESCRIPTION</u>
1	140-0074	1	Wooden Cabinet, T8
2	601-0761	1	Service Door
3	280-0451	2	Hinge, 95
4	105-0275	2	Cabinet Support Bracket
5	601-0762	1	Table
6	102-0047	2	Locking Base
7	105-0276	2	Locking Bracket
8	280-0452	2	Adjust Screw
9	117-0200	2	Nut Plate
10	109-0057	2	TV Holder
11	601-0763	1	Net
12	601-0698	1	Door Protector, A
13	601-0699	1	Door Protector, B
14	601-0700	2	Door Protector, C
15	220-0204	1	Cash Box Door
16	601-0657	1	Reject Cup Cover
17	601-0764	2	Rubber Cushion
18	601-0416	1	Reject Cup & Flap Door Assy
19	140-0075	2	Hole Cover
20	280-0405	2	Hinge, 95
21	105-0198	4	Hook Bracket
22	220-0097	1	Ace Cylinder Lock, L.S. Type
23	117-0062	3	Lock Retainer Plate
24	601-0587	1	Lock Tongue
25	280-0453	1	Spacer Ring
26			
27	280-0454	1	Locking Tongue
28	834-0328	1	Locking Tongue Assy
29		1	Connecting Plate
30	109-0058	1	Stay Holder
31	380-0463	2	Locking Tongue
32			
33	117-0201	1	Guard Plate

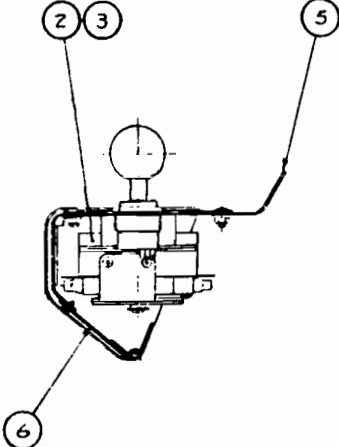
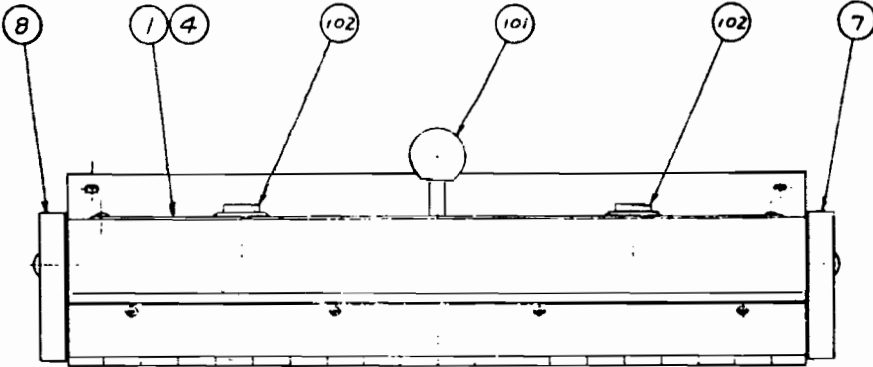
<u>ITEM NO.</u>	<u>PART NO.</u>	<u>QTY. REQ'D</u>	<u>DESCRIPTION</u>
101	601-0765	1	Stay
201		7	M. Screw, P.H. Phil.,M4x10
202		6	M. Screw, P.H. Phil.,M5x10
203		13	Carriage Bolt, M4x20
204		4	Carriage Bolt, M5x20
295		12	Carriage Bolt, M5x25
206		44	Wood Screw, R.H. Phil, 3.5x13
207		16	Wood Screw, R.H. Phil, 3.5x16
208		4	Wood Screw, F.H. Phil, 3.5x13
209		4	Wood Screw, R.H. Phil, 3.1x13
210		15	Flange Nut, M4
211		16	Flange Nut, M5
212		1	Onime Nut, M4
213		2	Flat Washer, 44-16x16
214		2	E Washer, 5mm
215		2	M Screw, P.H. Phil, M3x14
216		2	Carriage Bolt, M4x25
217		2	M Screw, P.H. Phil, M4x18
218		2	Flat Washer, M4
219		2	Spring Washer, M4
220		1	Taping Screw, #1, P.H. Phil, 4x14



CONTROL PANEL ASSEMBLY

DRAWING NUMBER 834-0330

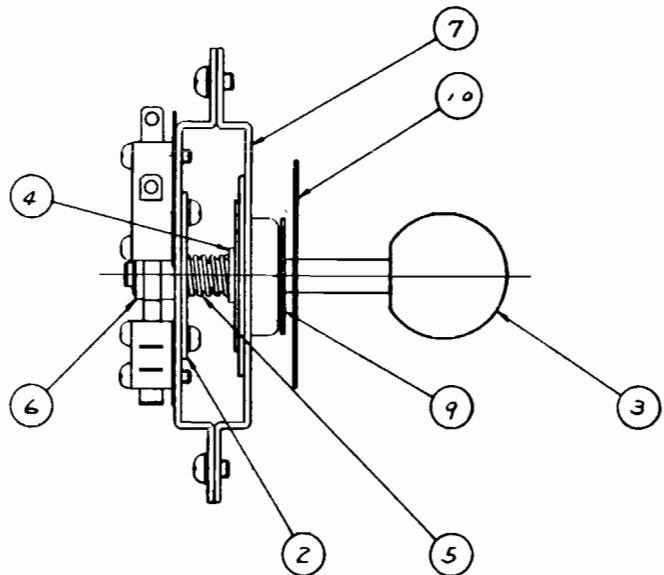
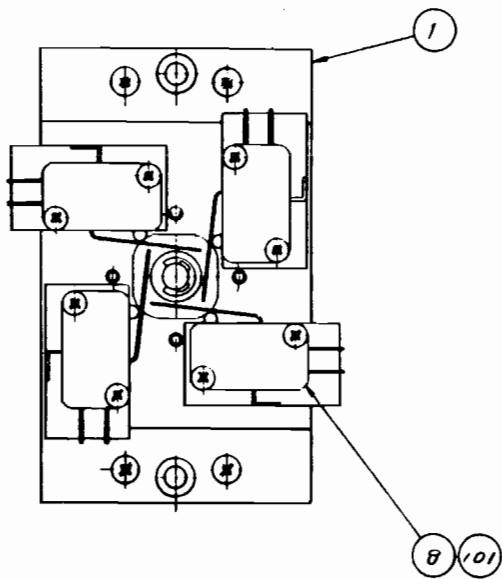
<u>ITEM NO.</u>	<u>PART NO.</u>	<u>DESCRIPTION</u>
1	117-0203	Control Panel Plate
2	834-0331	8-Way Joystick Assembly
3	117-0164	Slider Plate
5	102-0048	Control Panel Base, Upper
6	102-0049	Control Panel Base, Lower
7	601-0766	Ornament Board, A
8	601-0767	Ornament Board, B
101	109-0042	Handle Ball, Red
102	509-0146	Switch, Push Button, Red



8-WAY JOYSTICK ASSEMBLY

DRAWING NUMBER 834-0331

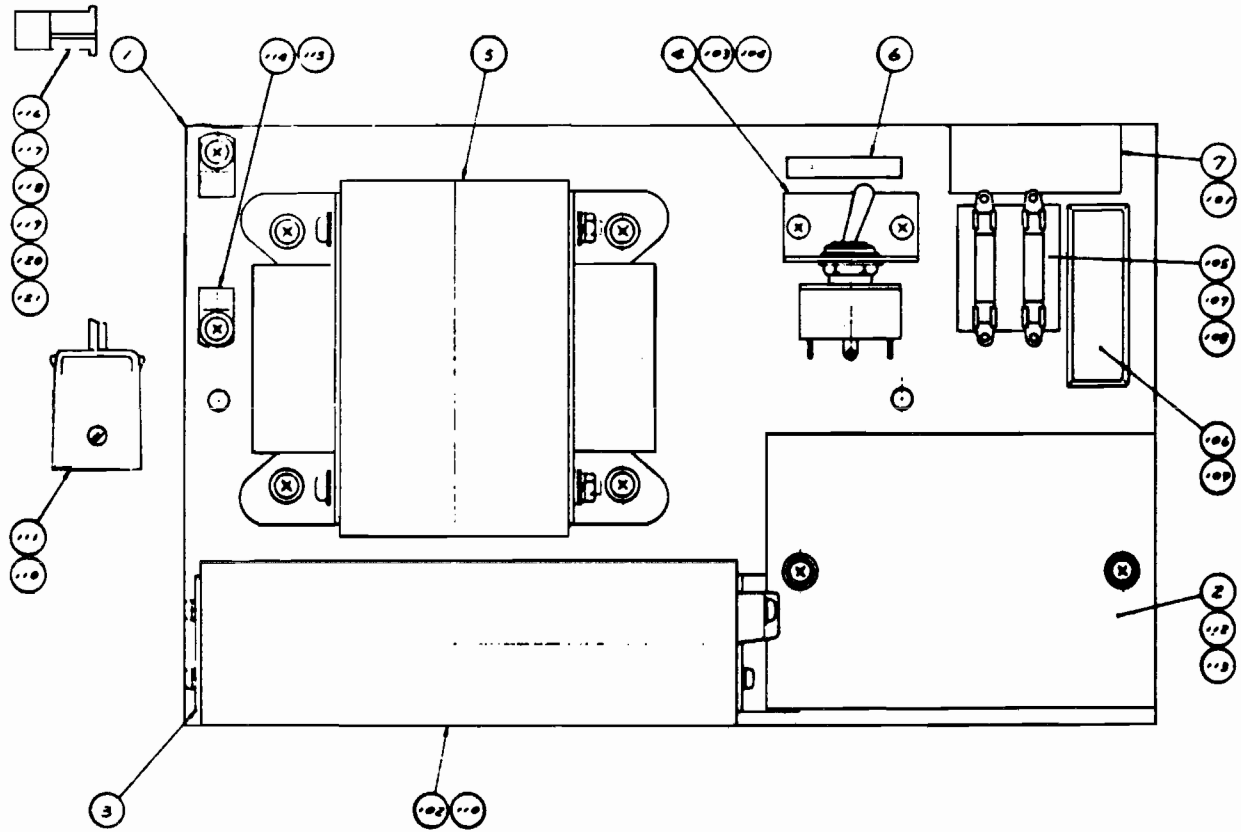
<u>ITEM NO.</u>	<u>PART NO.</u>	<u>DESCRIPTION</u>
1	105-0277	Bracket
2	117-0204	Guide Plate, 8-Way
3	834-0332	Handle Assembly
4	601-0768	Sleeve
5	125-0102	Compression Spring
6	104-0007	Actuator
7	834-0333	Bracket W/Bearing Assembly
9	117-0164	Slider Plate
10	280-0455	Plastic Washer
101	509-0131	Switch, Micro Type



POWER SUPPLY ASSEMBLY

DRAWING NUMBER 834-0340

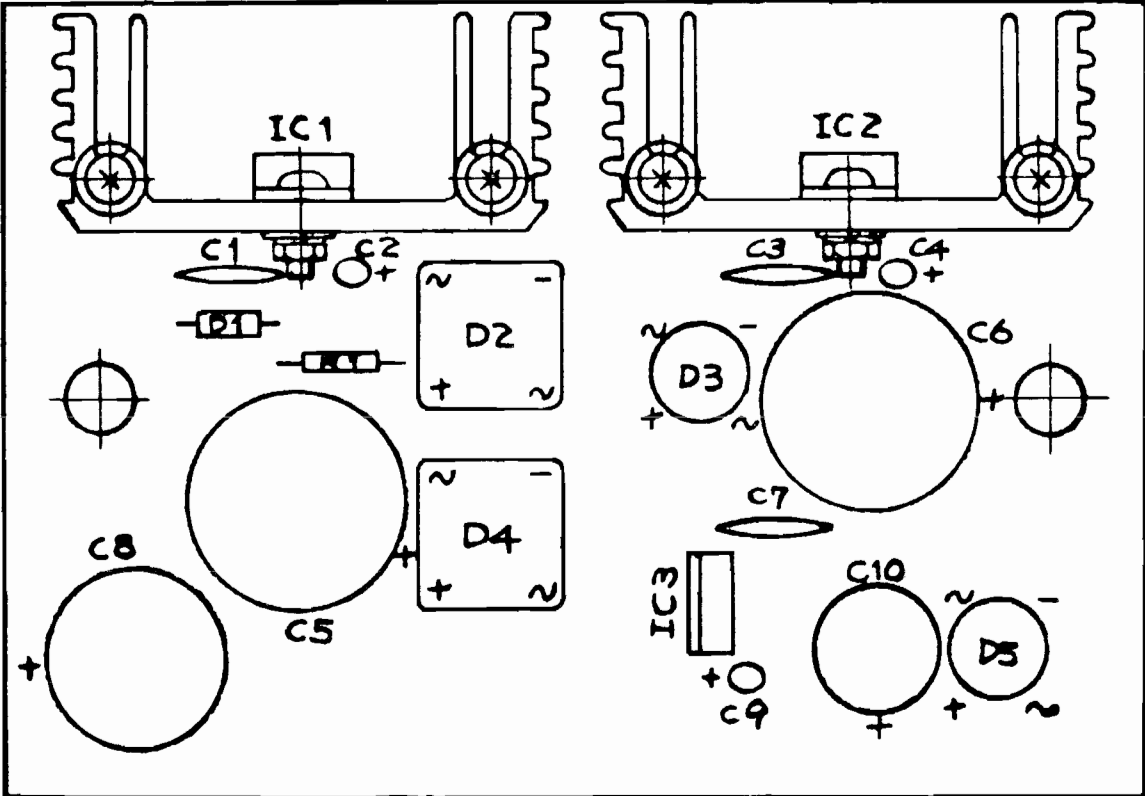
<u>ITEM NO.</u>	<u>PART NO.</u>	<u>DESCRIPTION</u>
2	601-0612	Regulator Unit
5	560-0067	Power Transformer, 90-240V
102	601-0158	Switching Regulator, AC 100V, 5V 6A
103	509-0115	Switch Toggle, SP-DT, 15A
105	514-0046	Fuse Holder, 2P, 125V 10A
106	514-0045	Fuse Holder, W/Cover 250V 10A
107	514-0033	Fuse, 1A
108	514-0002	Fuse, 3A
109	514-0034	Fuse, 5A



REGULATOR UNIT

DRAWING NUMBER 601-0612

<u>ITEM NO.</u>	<u>PART NO.</u>	<u>DESCRIPTION</u>
1	312-0070	IC, uA 78M12UC
2	313-0014	IC, uA 7812UC
3	312-0042	IC, uA 7805UC
4	481-0042	Rectifier, Silicon Diode
5	481-0065	Rectifier, Silicon Diode
6	481-0049	Rectifier, Silicon Diode
7	150-0008	Condenser, 2200uf, 25WV
8	150-0182	Condenser, 3300uf, 25WV, CE04
9	150-0206	Condenser, 3300uf, 16WV, CE04
10	153-0002	Condenser, Solid Tantalum, 1uf, 25WV
11	151-0041	Condenser, 0.1uf, 25WV, Ceramic
12	470-0332	Resistor, 3.3K, $\frac{1}{4}$ W, Solid Type
13	150-0154	Condenser, 470uf, 25WV, CE04

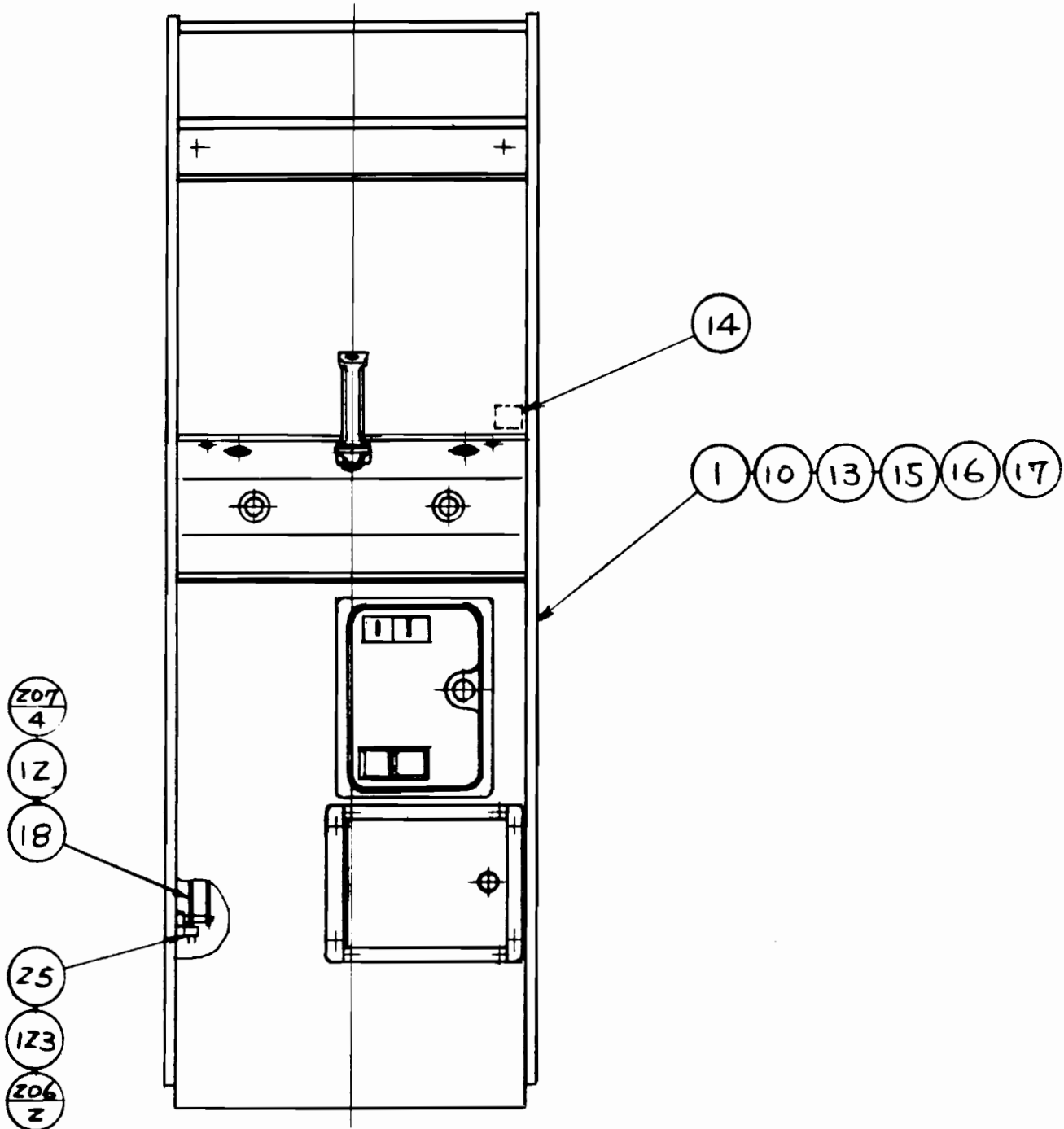


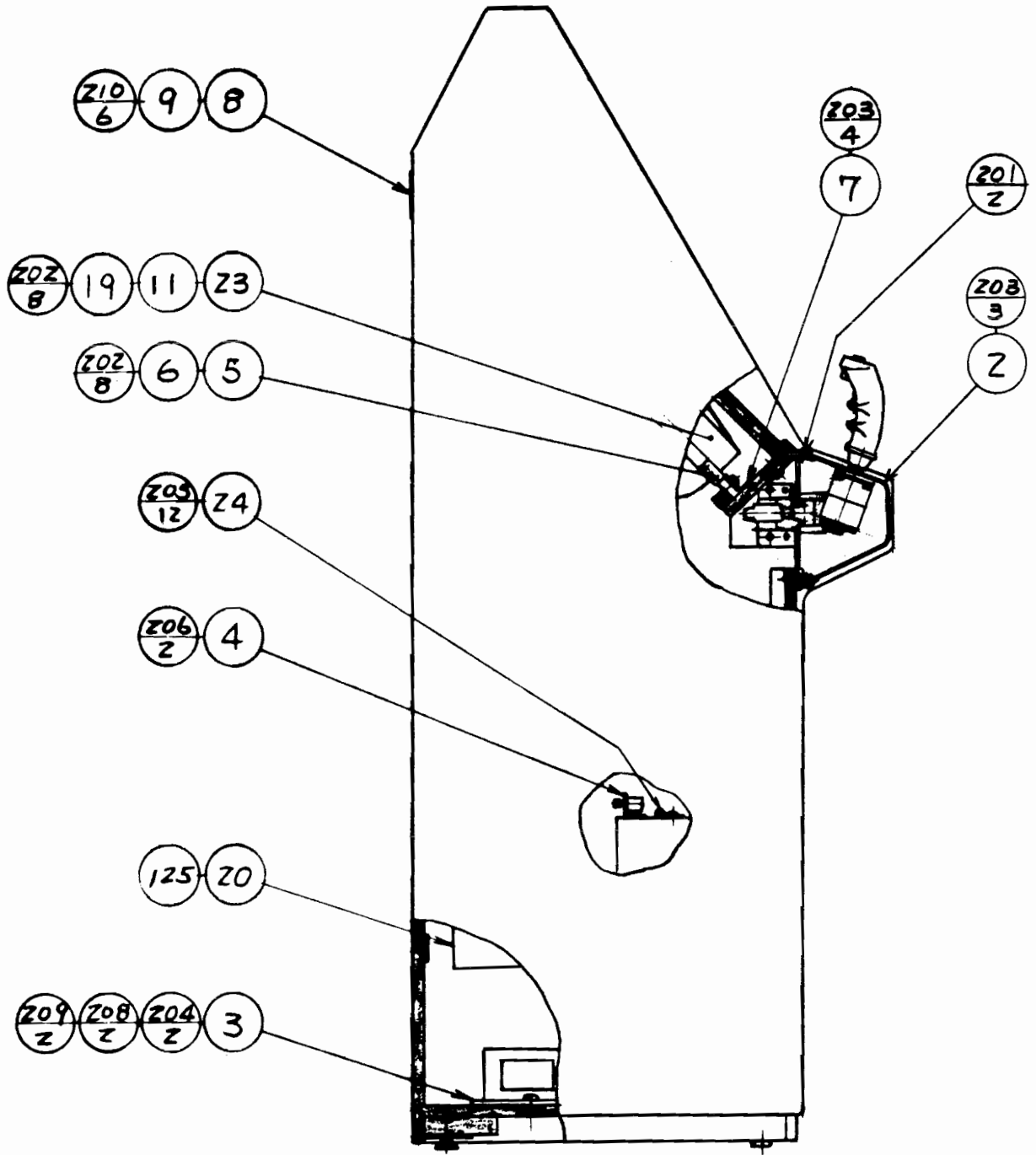
Mini Assemblies

ITEM NO.	PART NO.	QTY REQ'D		DESCRIPTION
		-00	-01	
1	834-0465	1	1	Assy Cabinet
2	800-3321	1	1	Assy Control Panel
3	834-0356	1	1	Assy Power Supply
4	220-0247	1	1	Control Unit
5	105-0225	2	2	Bracket A
6	105-0256	2	2	Bracket B
7				
8				
9				
10	420-0682	1	1	Sticker Serv Inst Eng
11	420-0683	1	1	Sticker Danger HI Volt
12	800-3309	-	1	Assy IC Board 2564
13				
14				
15				
16				
17				
18	800-3299	1	-	Assy IC Board 2764
19	421-5005	1	1	Adj Inst Sheet
20	421-5033	1	1	Adj Inst Sheet
21				
22				
23	200-0039	1	1	Color Display Assy 20 Type 100V
24	280-0419	12	12	Harness Lug
25	280-0427	1	1	Harness Lug 85
26	834-0362	1	1	Assy Socket and Cable AC
27	834-0363	1	1	Assy Socket and Cable Demagnetizing
28	834-0364	1	1	Assy Socket and Cable Coin Meter
27	834-0365	1	1	Assy Socket and Cable Coin SW
28	834-0366	1	1	Assy Socket and Cable Service and Reset SW

ITEM NO.	PART NO.	QTY REQ'D		DESCRIPTION
		-00	-01	
29	834-0386	1	1	Assy Socket and Cable SP
30	834-0369	1	1	Assy Socket and Cable VR
31	834-0370	1	1	Assy Main Harness
32	834-0371	1	1	Assy Earth Wire
101	211-0044	1	1	Conn Cap Amp ZP White
102	211-0080	1	1	Conn Cap Amp ZP Brown
103	211-0115	1	1	Conn Cap Amp ZP Red
104	211-0116	1	1	Conn Cap Amp ZP Orange
105	211-0117	1	1	Conn Cap Amp ZP Yellow
106	211-0060	1	1	Conn Cap Amp 3P White
107	211-0081	1	1	Conn Cap Amp 3P Brown
108	211-0120	1	1	Conn Cap Amp 3P Yellow
109	211-0072	1	1	Conn Cap Amp 4P White
110	211-0082	1	1	Conn Cap Amp 4P Brown
111	211-0046	1	1	Conn Cap Amp 6P White
112	211-0047	1	1	Conn Cap Amp 12P White
113	211-0085	1	1	Conn Plug Amp 2P Brown
114	211-0095	1	1	Conn Plug Amp 2P Orange
115	211-0086	1	1	Conn Plug Amp 3P Brown
116	211-0099	1	1	Conn Plug Amp 3P Yellow
117	211-0073	1	1	Conn Plug Amp 4P White
118	211-0045	1	1	Conn Plug Amp 6P White
119	211-0048	1	1	Conn Plug Amp 15P White
120	211-0041	35	35	Conn Pin Amp (Amp 350687-1)
121	211-0042	45	45	Conn Socket Amp (Amp 350536-1)
122	280-0423	1	1	Hole Peg for Socket
123	209-0025	1	1	Connector 44P
124	211-0167	2	2	Terminal Lug Round ID5
210	111-1051	2	2	Tamper Proof Screw PH ZNC3 Black 150 M5 x 10
202		16	16	M Screw PH Phill ISO W/F & S Washer M5 x 10

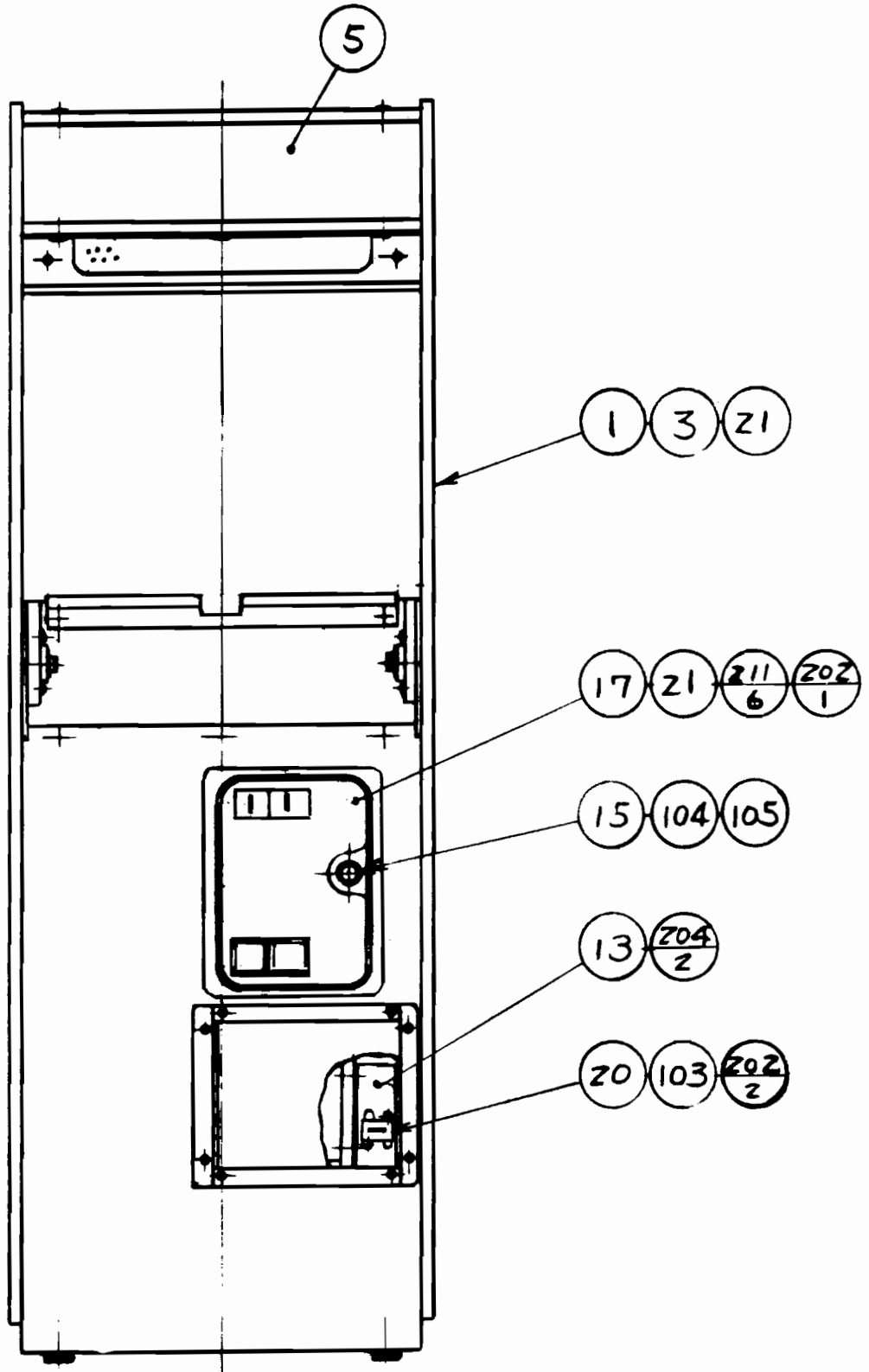
<u>ITEM NO.</u>	<u>PART NO.</u>	<u>QTY.</u>	<u>REQD</u>	<u>DESCRIPTION</u>
		<u>-00</u>	<u>-01</u>	
203		7	7	M Screw PH Phill 150 W/F & S Washer M5 x 16
204		4	4	M Screw PH Phill 150 M5 x 35
205		12	12	Wood Screw RH Phill 3.1 x 10
206		4	4	Wood Screw RH Phill 3.5 x 13
207		4	4	Wood Screw RH Phill 3.5 x 16
208		2	2	Spring Washer M5 (#2)
209		2	2	F Washer M5
210		6	6	Screw Nail Thin H Stainless 1.5 x 16

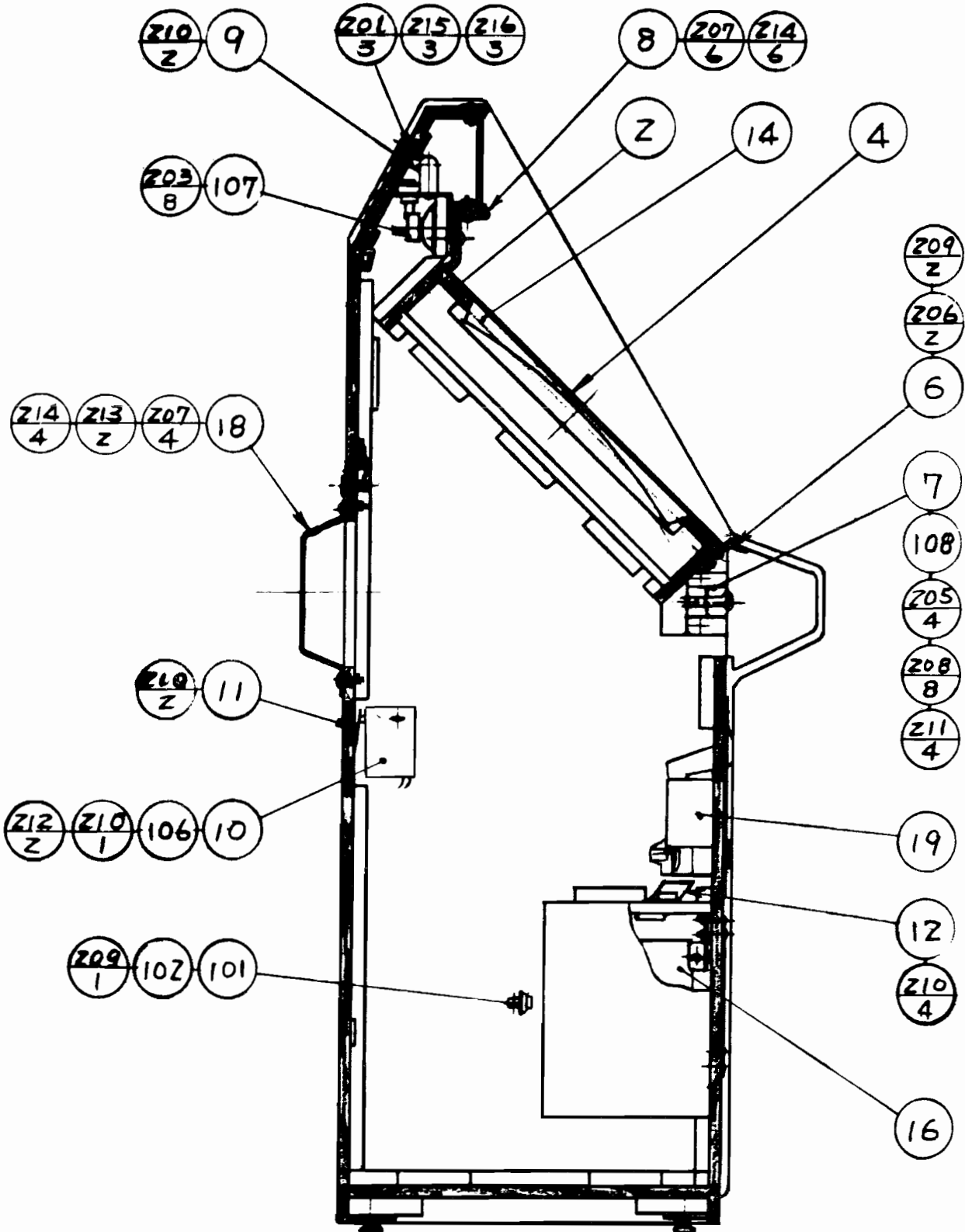




<u>ITEM NO.</u>	<u>PART NO.</u>	<u>QTY REQD</u>	<u>DESCRIPTION</u>
1	834-0466	1	Assy Sub-Cabinet
2	601-0781	1	Mask Board
3			
4	601-0782	1	Window Panel
5	253-0305	1	Panel Logo
6	105-0286	1	Hard Install Brkt
7	102-0051	2	Hook Base
8	105-0287	2	Logo Hold Brkt
9	834-0373	1	Assy 10W FL
10	834-0379	1	Assy Junction Box
11	601-0783	1	Switch Clip
12	220-0202	2	Lower Coin Chute
13	105-0242	1	Meter Brkt
14	601-0678	1	TV Mask Z0
15	280-0402	1	Locking Tongue
16	220-0155	1	Cash Box
17	834-0087	1	Coin Chute Door Assy USA 25¢ Twin
18	601-0537	1	Cover
19	220-0084	2	Coin Chute Rejector Type 25¢ x 1
20			
21	109-0045	1	Key Holder
101	117-0068	1	Terminal Plate IL3PA
102	481-0027	1	Diode SiBo1-02
103	220-0213	1	Coin Counter 6 Dig DC5V W/Lamp
104	220-0224	1	Ace Cylinder Lock LS Type
105	220-0225	1	Key Master
106	280-0248	1	Clamp Cord Plastic 8mm ID
107	130-0017	2	Speaker 120 x 80mm 8 3W
108	601-0506	2	Toggle Hook (Takigen C-139-1)
201	111-1052	2	Tamper Proof Screw PH ZMC3 Black ISO M5 x 20
201			See (D-3/4)

<u>ITEM NO.</u>	<u>PART NO.</u>	<u>QTY. REQD.</u>	<u>DESCRIPTION</u>
202		3	M Screw PH Phill 150 W/F Washer M3 x 6
203		8	M Screw PH Phill 150 W/F & S Washer M4 x 16
204		2	M Screw PH Phill 150 W/F & S Washer M4 x 14
205		4	M Screw Ph Phill ISO W/F Washer M4 x 20
206		2	M Screw PH Phill ISO W/F & S Washer M5 x 16
207		10	Carriage Bolt ZMC3 Black Special 150 M4 x 25
208		8	M Screw FH Phill ISO M4 x 6
209		3	Wood Screw RH Phill 3.1 x 10
210		9	Wood Screw RH Phill 3.5 x 13
211		10	Wood Screw RH Phill W/F Washer 3.5 x 16
212		2	Wood Screw RH Phill 4.1 x 16
213		2	Wood Screw RH Phill ZMC3 Black 3.1 x 16
214		10	Flange Nut ISO Serrated Type M4 (OD=10 ⁰)
215		3	Spring Washer M5 (#2)
216		3	F Washer Small Type M5





SUB-CABINET ASSEMBLY

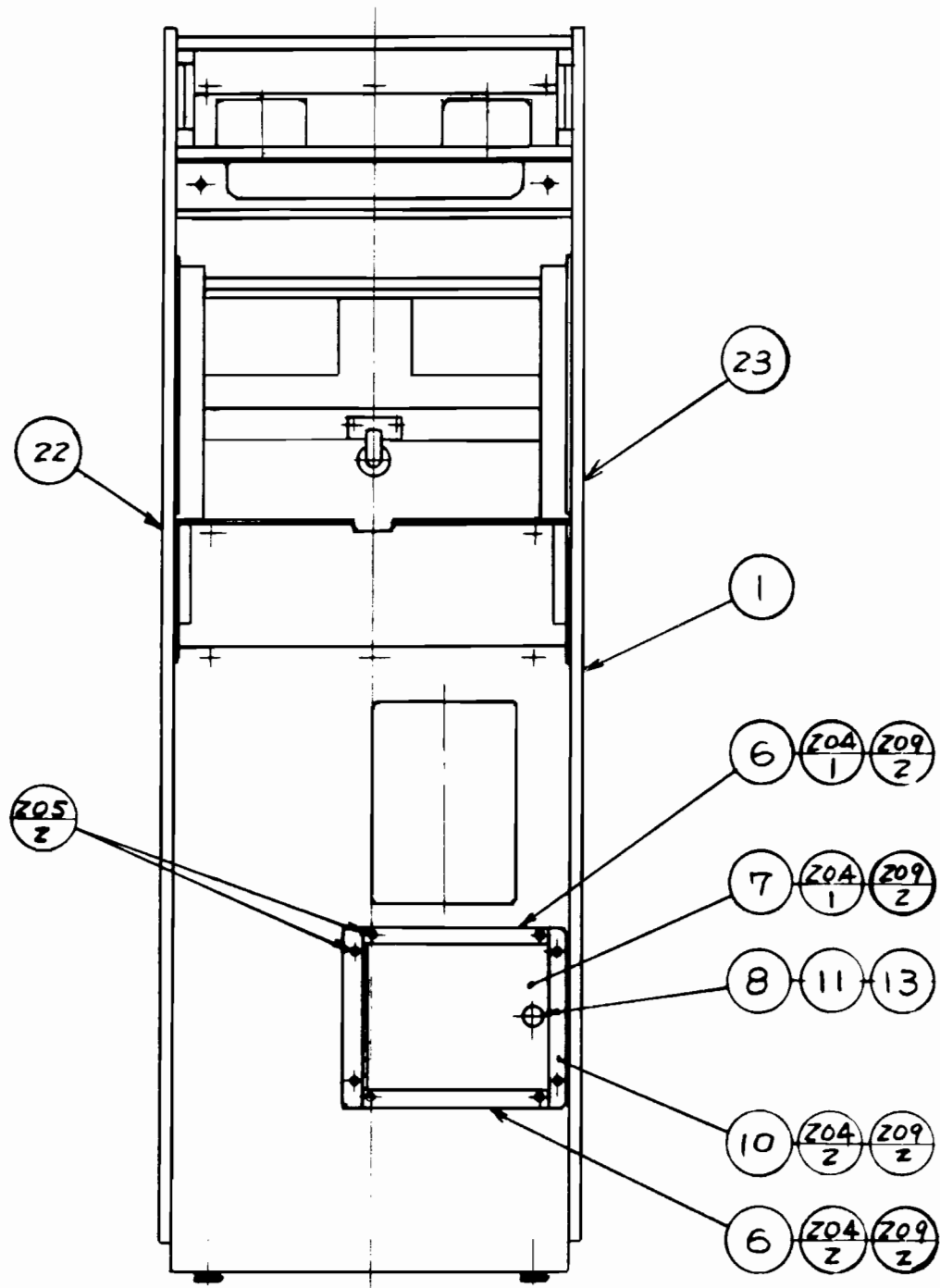
DRAWING NUMBER 834-0466

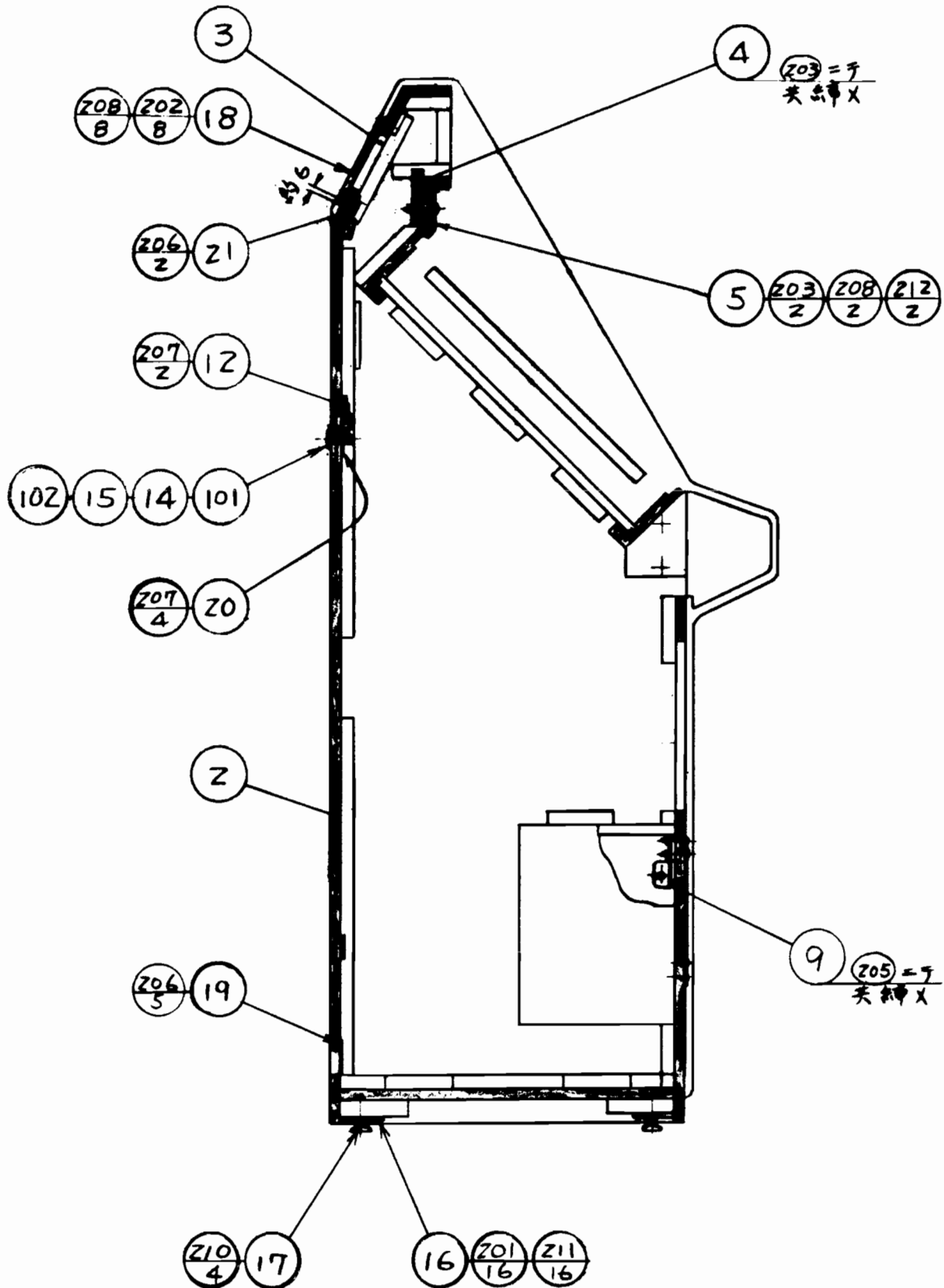
<u>ITEM NO.</u>	<u>PART NO.</u>	<u>QTY. REQ'D</u>	<u>DESCRIPTION</u>
1	140-0076	1	Wooden Cabinet
2	601-0784	1	Back Door
3	601-0785	1	Upper Door
4	601-0786	1	Speaker Board
5	601-0787	1	Speaker Ornament
6	601-0683	2	Door Protector A
7	601-0788	1	Cash Box Door
8	601-0789	1	Locking Tongue
9	105-0267	1	Lock Brkt
10	601-0684	1	Door Protector B
11	220-0097	1	Ace Cyl LK W/Keys
12	117-0063	1	Tongue Retainer Plate
13	280-0406	1	Spacer Ring Turbo
14	117-0062	1	Plate Lock Retainer
15	280-0401	1	Tongue Locking
16	105-0268	4	Leg Adj Brkt
17	601-0753	4	Leg Adj
18	601-0097	2	Air Vent
19	117-0121	1	Net Plate
20	105-0269	1	Bracket
21	117-0209	1	Tip Plate
22	420-0905	1	Side Graphic Right
23	420-0904	1	Side Graphic Left
101	220-0224	1	Ace Cylinder Lock LS Type
102	220-0225	1	Key Master XA-1040
201		16	M Screw PH Phill ISO M5 X 45
202		8	Carriage Bolt ZMC3 Black Special ISO M4 X 14
203		2	Carriage Bolt ZMC3 Black Special ISO M5 X 30
204		6	Carriage Bolt ZMC3 Black Special ISO M5 X 25
205		2	Carriage Bolt ZMC3 Black Special M5 X 30

SUB-CABINET ASSEMBLY

DRAWING NUMBER 834-0466

<u>ITEM NO.</u>	<u>PART NO.</u>	<u>QTY. REQ'D</u>	<u>DESCRIPTION</u>
206		7	Wood Screw RH Phill 3.5 X 13
207		6	Wood Screw RH Phill 3.5 X 16
208		8	Flange Nut ISO Serrated Type M4 (OD=10 ^o)
209		10	Flange Nut ISO Serrated Type M5 (OD=11 ^o)
210		4	Hex Nut 3/8-16
211		16	Spring Washer M5 (#2)
212		2	F Washer M5



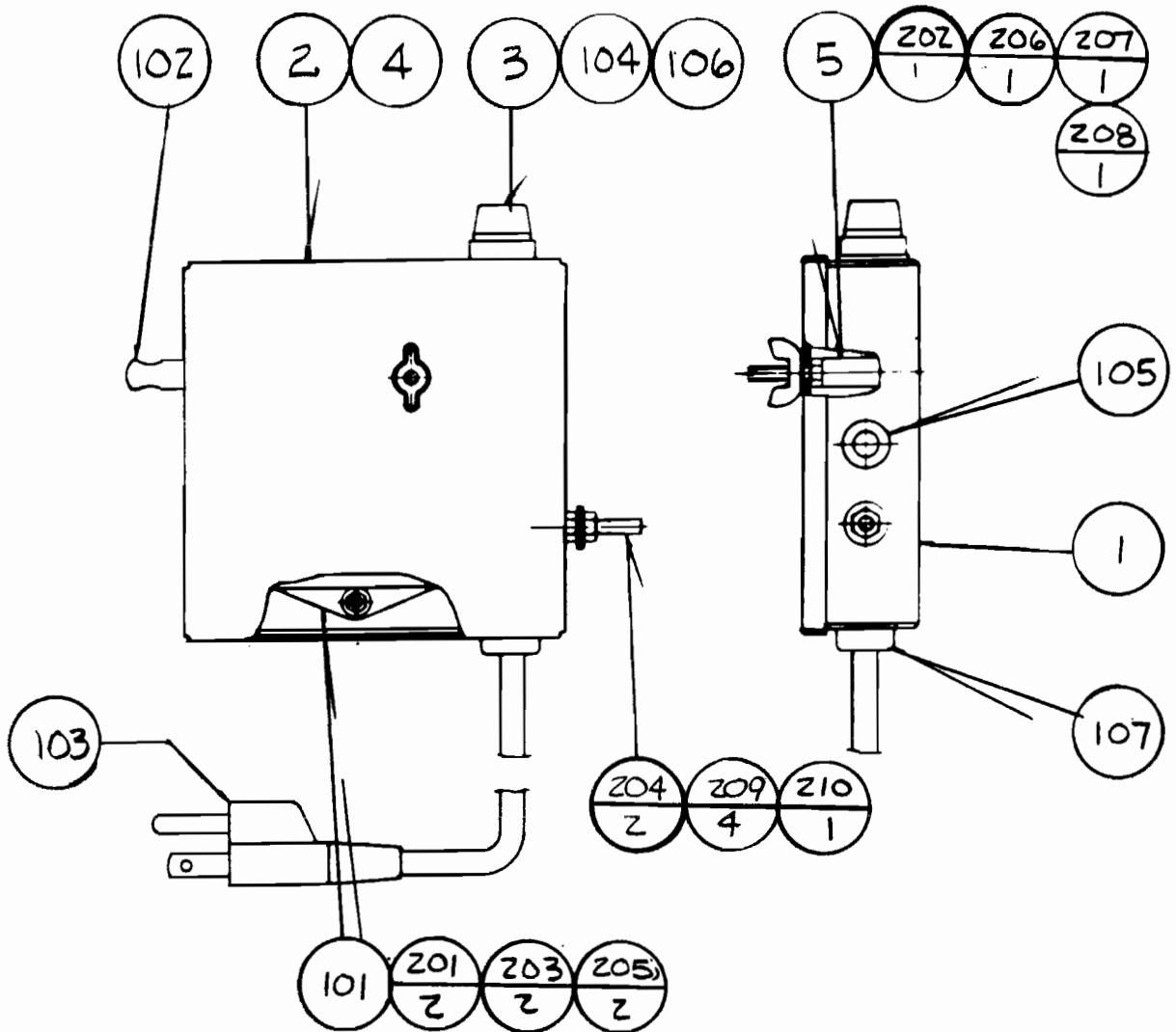


JUNCTION BOX ASSEMBLY

DRAWING NUMBER 834-0379

<u>ITEM NO.</u>	<u>PART NO.</u>	<u>QTY. REQ'D</u>	<u>DESCRIPTION</u>
1	140-0077	1	Junction Box
2	140-0078	1	Cover
3			
4	420-0679	1	Sticker 120V
5	601-0790	1	Spacer Tube, 26
6	180-0008	1	Choke RF 1uH
101	601-0429	1	Noise Filter, AC 250V A
102	509-0095	1	Switch Micro Type, Dept. Cheat Inter Lock Type
103	600-0110	1	Cable & Plug Assy. W/Earth, 0.16 X 41 X 3.1 = 3000
104	514-005-00	1	Fuse Holder, W/Screw Cap VA Taps
105	280-0466	1	Rubber Grommet, 7° X 10° X 4.5
106	514-0061	1	Fuse, 5A Time-Lag Type, 6.25 X 31.75mm
107	280-0418	1	Bushing Strain Relief 8.3
110	211-0167	2	Terminal Lug Round ID 5
111	310-0010	50mm	Thermo Shrink Tube
201		2	M Screw FH Phill ISO M3 X 10
202		1	M Screw FH Phill ISO M4 X 45
203		2	Hex, Nut ISO M3
204		2	Hex, Nut Brass, ISO M4
205		2	Flat Washer M3
206		1	Spring Washer M4 (#2)
207		1	Hex Nut, ISO M4
208		1	Wing Nut ISO M4
209		4	Flat Washer Special, Brass 4-12 X 1
210		1	M Screw PH Phill, Brass ISO M4 X 25

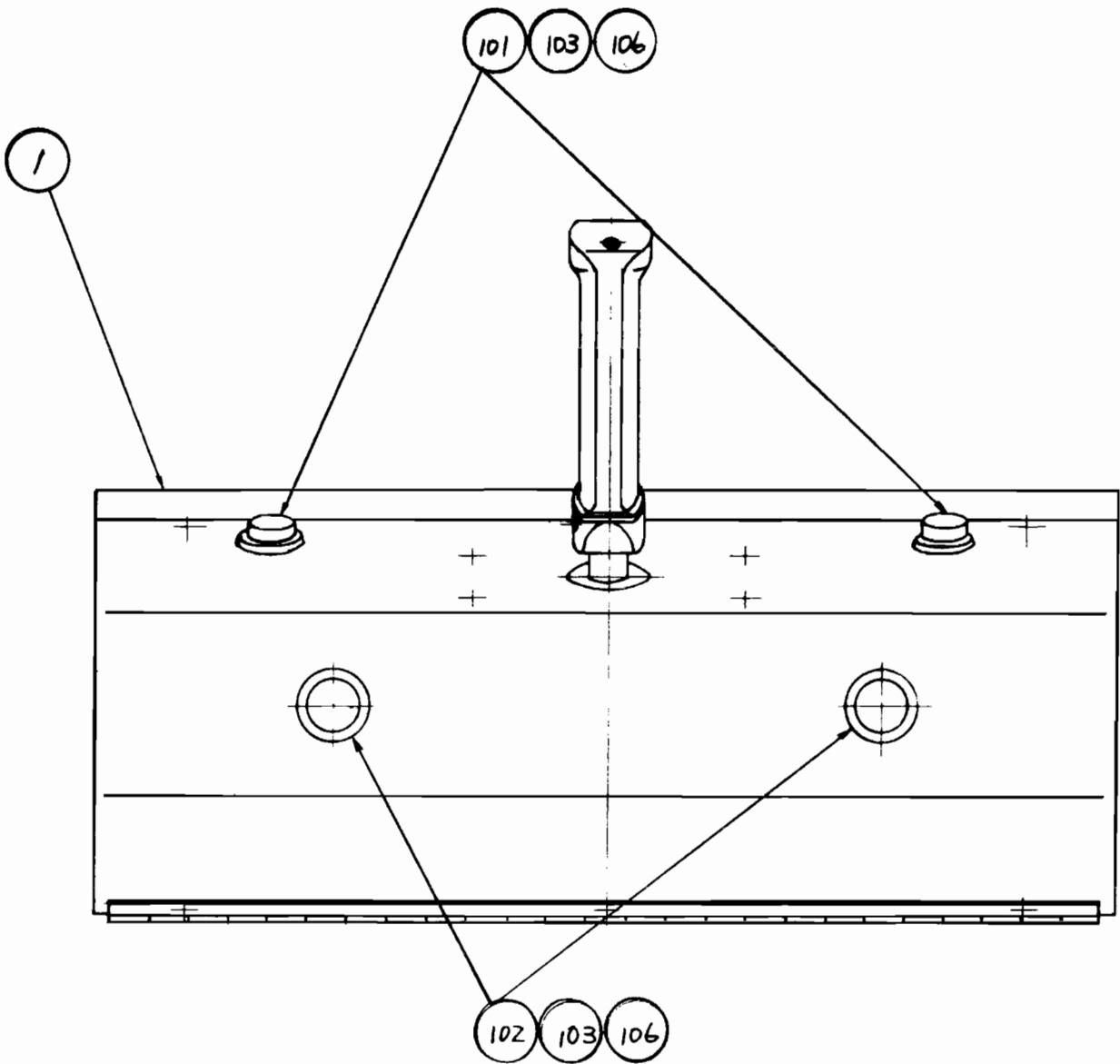
Junction Box Assembly
834-0379

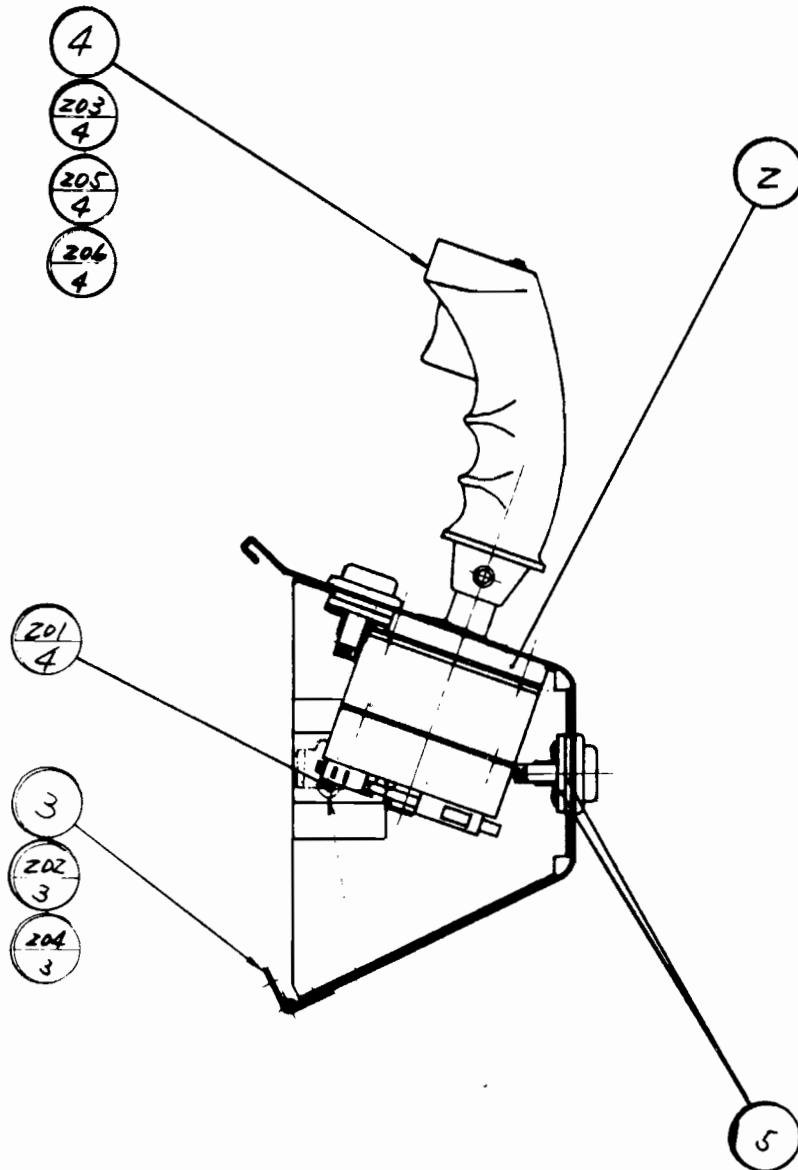


CONTROL PANEL ASSEMBLY

DRAWING NUMBER 800-3321

<u>ITEM NO.</u>	<u>PART NO.</u>	<u>QTY. REQ'D</u>	<u>DESCRIPTION</u>
1	250-0554	1	Control Panel
2	280-0470	2	Spacer
3	280-0471	1	Hinge 488
4	800-3272	1	8 Pos Joy Stic W/Trigger
5	509-0169	8	Spacer Switch WICO
6	834-0374	1	Assy. Plug and Cable
	240-0006	2	Button Plunger Red
	240-0111	2	Button Plunger Blue
	510-0023	4	Assy. Switch
	211-0025	1	Conn Plug Amp 12P White
	211-0041	12	Conn Pin Amp
	280-0464	4	Pal Nut for Pushbutton Assy.
	280-0425	3	Cord Clamp 10
		4	M Screw FH Phill ISO M4 X 6
		3	Carriage Bolt ZMC3 Black Special ISO M5 X 14
		4	Carriage Bolt ZMC3 Black Special ISO M5 X 25
		3	Flange Nut ISO Serrated Type (M5 (OD=11)
		4	U-Nut ISO M5
		4	F Washer Special 33.3-41.3 X 0.5



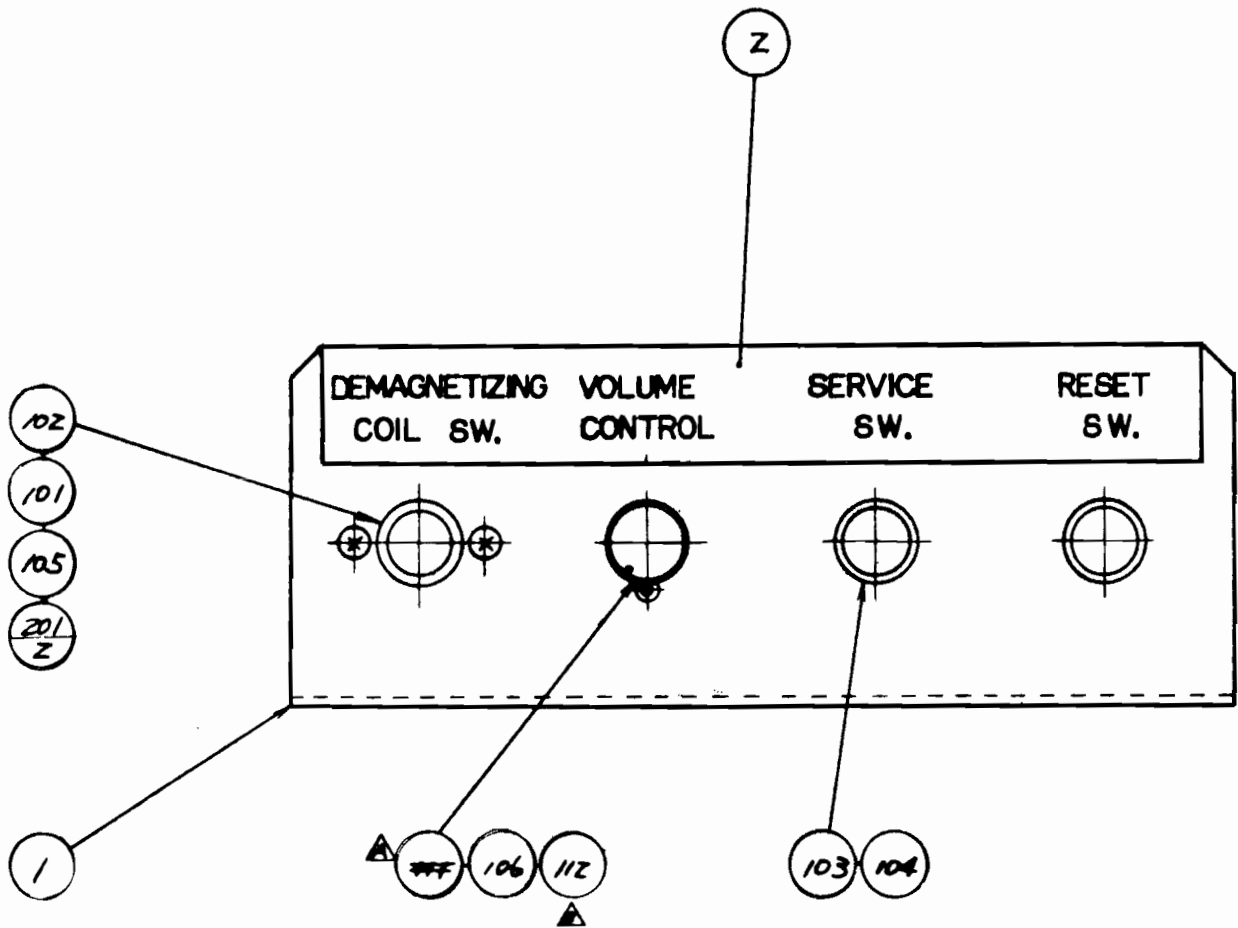


CONTROL UNIT ASSEMBLY

DRAWING NUMBER 220-0247

<u>ITEM NO.</u>	<u>PART NO.</u>	<u>QTY. REQ'D</u>	<u>DESCRIPTION</u>
1	105-0288	1	Control Bracket
2			
3	834-0375	1	Plug & Cable Assy. Service SW
4	834-0376	1	Plug & Cable Assy. Volume Control
5	834-0377	1	Plug & Cable Assy. Demagnetizing SW
101	240-0105	1	Pushbutton Switch, 1M, W/O Button
102	240-0106	1	Pushbutton, Ivory, 8 ^o
103	509-0113	2	Pushbutton Switch, 2T
104	509-0049	2	Switch Stopper, 12 ^o
105	601-0444	1	C & R Combination Element, 0.1 uf & 120
106	475-0049	1	Rheostat, 100, 10W
107	211-0085	1	Conn Plug Amp 2P Brown
108	211-0097	1	Conn Plug Amp 3P Red
109	211-0088	1	Conn Plug Amp 6P Brown
110	211-0041	11	Conn Pin Amp
112	240-0125	1	Knob Metal
201		2	M Screw, PH Phill ISO W/S Washer M3 X 6

Control Unit Assembly
220-0247

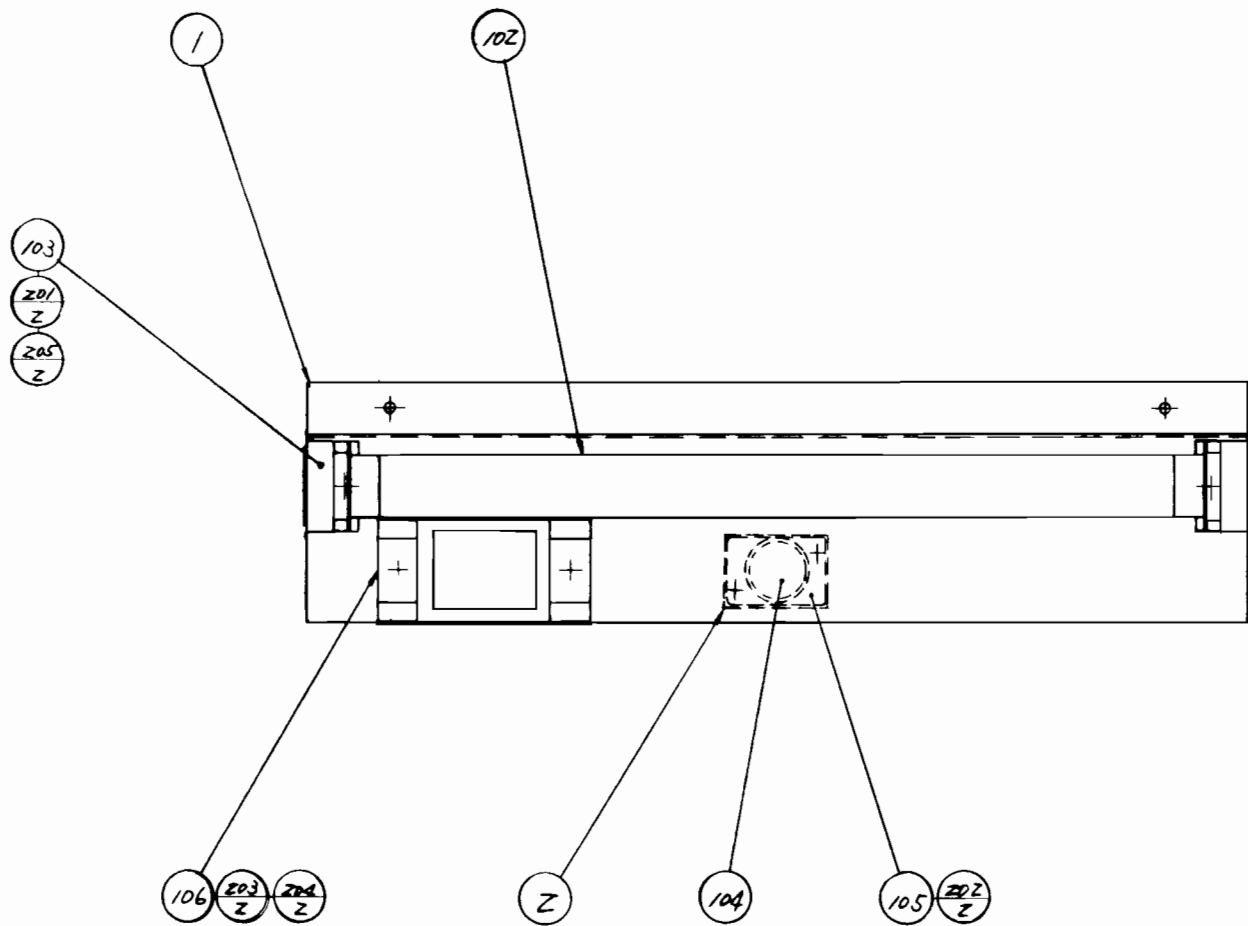


10W FLUORESCENT LAMP ASSEMBLY

DRAWING NUMBER 834-0373

<u>ITEM NO.</u>	<u>PART NO.</u>	<u>QTY. REQ'D</u>	<u>DESCRIPTION</u>
1	105-0289	1	F1 Bkt
2	310-0027	1	Paper Insulator
	834-0378	1	Cable & Plug Assy. Control
101	280-0425	3	Cord Clamp 10°
102	390-0030	1	Fluorescent Light, 10W
103	214-0009	2	Socket, Fluorescent Light, Spring Type
104	390-0033	1	Starter, Fluorescent Bayonet Type, FG-1P
105	214-0010	1	Socket, Fluorescent Starter Bayonet Type
106	182-0049	1	Ballast Coil, 100V, 10W, 50 Hz (S-91000)
107	211-0094	1	Conn Plug Amp 2P Red
108	211-0041	2	Conn Pin Amp
201		2	M Screw, PH Phill, ISO, W/F & S Washer M4 X 16
202		2	M Screw, PH Phill, ISO, W/F & S Washer M3 X 14
203		2	M Screw, PH Phill, ISO W/S Washer M3 X 6
204		2	F Washer M3
205		2	Square Nut, ISO M4 (H=1.6.8=8)

10W Fluorescent Lamp Assembly 834-0356

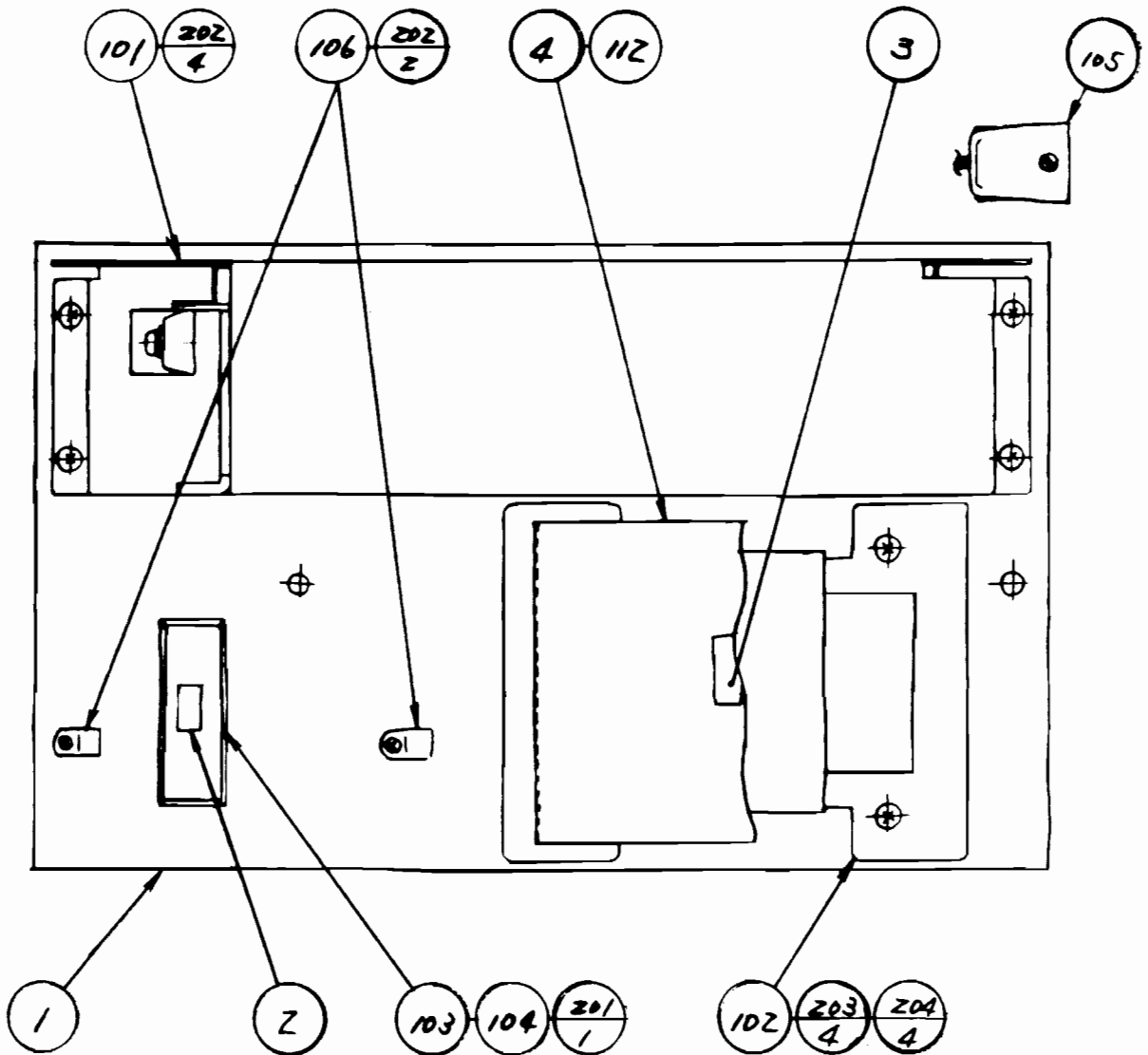


POWER SUPPLY ASSEMBLY

DRAWING NUMBER 834-0356

<u>ITEM NO.</u>	<u>PART NO.</u>	<u>QTY. REQ'D</u>	<u>DESCRIPTION</u>
1	252-0184	1	Component MTG Board
2			
3	420-0679	1	Sticket 120V
4	310-0026	1	Instulator Paper (W=90)
5	834-0380	1	Wire Harness Power Supply
101	601-0770	1	Switching Regulator AC 90-240V 5V-6V-5V-1A 12V-2A
102	560-0105	1	Power Transformer 90-240V 0-100-120V
103	514-0045	1	Fuse Holder W/Cover 250V-10A
104	514-0032	1	Fuse 2A 6.4 X 30mm
105	601-0552	1	AC Cord Connector Body Flat Type 125V-15A
106	280-0400	2	Clamp Cord Plastic 5mm
107	211-0049	1	Conn Cap Amp 15P White
108	211-0087	1	Conn Plug Amp 4P Brown
109	211-0041	4	Conn Pin Amp
110	211-0042	15	Conn Socket Amp
111	211-0167	9	Terminal Lug Round ID 5
112		100mm	Double Face Tape
201		1	Wood Screw RH Phill 3.5 X 25
202		6	Wood Screw RH Phill W/F Washer 3.5 X 13
203		4	M Screw PH Phill ISO W/F & S Washer M4 X 14
204		4	T-Nut ISO M4

Power Supply Assembly
834-0356



5V-6A SWITCHING REGULATOR

DRAWING NUMBER 601-0770

<u>ITEM NO.</u>	<u>PART NO.</u>	<u>QTY. REQ'D</u>	<u>DESCRIPTION</u>	<u>REF. DES.</u>
1	473-06R8	2	RES 6.8 OHM 5W	R1, 2
2	471-0393	3	RES 39K OHM $\frac{1}{2}$ W	R3-5
3	471-0333	1	RES 33K OHM $\frac{1}{2}$ W	R6
4	472-0R68	1	RES 0.68 OHM 2W	R7
5	471-0471	2	RES 470 OHM $\frac{1}{2}$ W	R8, 108
6	470-02R2	1	RES 2.20 OHM $\frac{1}{4}$ W	R9
7	470-0561	2	RES 560 OHM $\frac{1}{4}$ W	R13, 19
8	470-0102	1	RES 1K OHM $\frac{1}{4}$ W	R14
9	470-0151	4	RES 150 OHM $\frac{1}{4}$ W	R20, 201, 301, 401
10	470-0181	3	RES 180 OHM $\frac{1}{4}$ W	R21, 22, 25
11	471-04R7	1	RES 4.7 OHM $\frac{1}{2}$ W	R26
12	470-0682	1	RES 6.8K OHM $\frac{1}{4}$ W	R27
13	462-0024	4	RES 10 OHM 1W	R101, 202, 302, 402
14	471-0121	3	RES 120 OHM $\frac{1}{2}$ W	R103-105
15	470-0470	1	RES 47 OHM $\frac{1}{4}$ W	R106
16	470-0681	1	RES 680 OHM $\frac{1}{4}$ W	R109
17	471-0122	8	RES 1.2K OHM $\frac{1}{2}$ W	R204-207, R304-307
18	471-0331	5	RES 330 OHM $\frac{1}{2}$ W	R404-409
19	478-0010	2	THRM. 8 OHM	TH1, 2
20	478-0011	1	THRM. 75 OHM	TH3
21	475-0017	1	VARISTOR 1K OHM	VR101
22	152-0158	2	CAP 0.1MF 1KV-F	C1, 4
23	151-0120	2	CAP 2200 PF 150 VAC-C	C2, 3
24	150-0226	2	CAP 220 MF 200V-E	C5, 6
25	151-0121	1	CAP 1000 PF 2KV-C	C7

5V-6A SWITCHING REGULATOR

DRAWING NUMBER 601-0770

<u>ITEM NO.</u>	<u>PART NO.</u>	<u>QTY. REQ'D</u>	<u>DESCRIPTION</u>	<u>REF. DES.</u>
26	152-0159	1	CAP 4700 PF 50V-F	C9
27	152-0085	2	CAP 0.01 MF 50V-F	C101, 107
28	150-0148	2	CAP 1000 MF 10V-E	C102, 103
29	152-0154	1	CAP 0.01 MF 630V-F	C104
30	150-0009	2	CAP 1 MF 50V-E	C105, 106
31	152-0160	1	CAP 0.047 MF 50V-F	C108
32	152-0157	3	CAP 2200 PF 630V-F	C201, 301, 401
33	150-0162	1	CAP 220 MF 35V-E	C202
34	150-0106	1	CAP 47 MF 50V-E	C203
35	152-0161	3	CAP 1000 PF 200V-F	C204, 304, 404
36	152-0079	3	CAP 0.022 MF 50V-F	C205, 305, 405
37	150-0190	1	CAP 100 MF 35V-E	C302
38	150-0006	2	CAP 10 MF 50V-E	C303, 403
39	150-0228	1	CAP 330 MF 16V-E	C402
40	481-0242	1	DIODE S4VB60	D1
41	481-0238	2	DIODE ERB43-06	D2, 3
42	481-0120	1	DIODE MA161	D4
43	481-0239	1	DIODE ESAC83-004	D101
44	481-0243	3	DIODE CTU-22S	D201, 301, 401
45	313-0125	1	IC TL431CP	1C101
46	313-0197	1	IC SI-3122P	1C201
47	313-0130	1	IC AN7812	1C301
48	313-0131	1	IC AN7805	1C401
49	370-0007	1	PHOTO COUP. ON3105	PC2
50	482-0299	1	XISTOR ZSC2833A	Q1

5V-6A SWITCHING REGULATOR

DRAWING NUMBER 601-0770

<u>ITEM NO.</u>	<u>PART NO.</u>	<u>QTY.</u>	<u>REQ'D</u>	<u>DESCRIPTION</u>	<u>REF. DES.</u>
51	482-0177	1		XISTOR 2SC1685	Q3
52	482-0076	1		XISTOR 2SA564A	Q4
53	180-0036	1		CHOKE TLP6505-2P	L1
54	180-0037	1		CHOKE ETB-30KH29X	L101
55	180-0038	3		CHOKE ELQ-050D08	L201, 301, 401
56	180-0039	1		CHOKE ELQ-35KH36X	L202
57	560-0114	1		XFMR ETB-39AK6X	T1
58	560-0115	1		XFMR ETB-12KA10X	T2
59	560-0116	1		XFMR ETB-19KA2X	T3
60	280-0477	1		TERMINAL STRIP	TB1
61	514-0011	1		FUSE 3A, 125V SLOW	F1

Common Assemblies

JOYSTICK ASSEMBLY

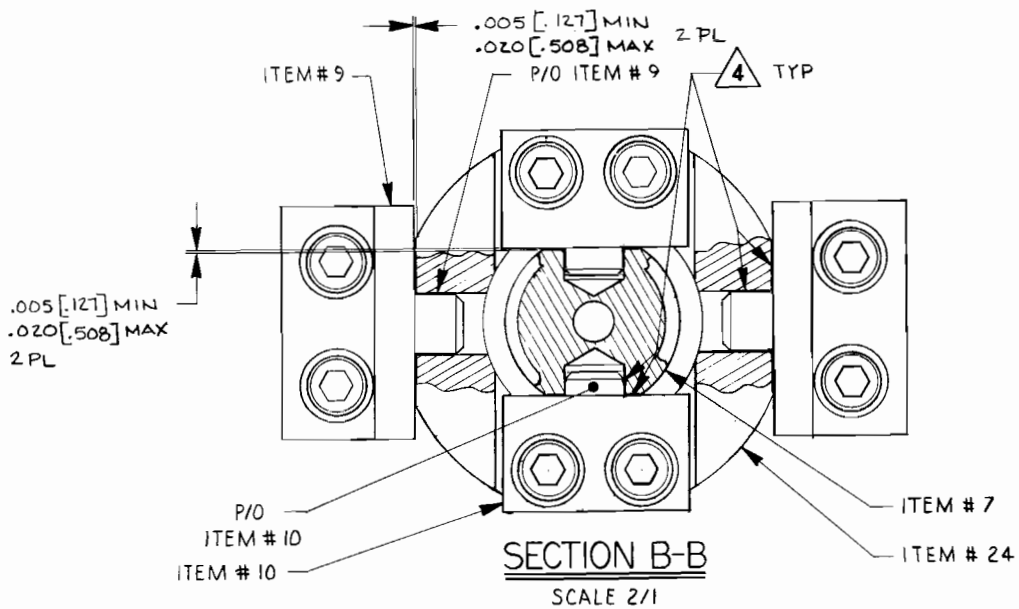
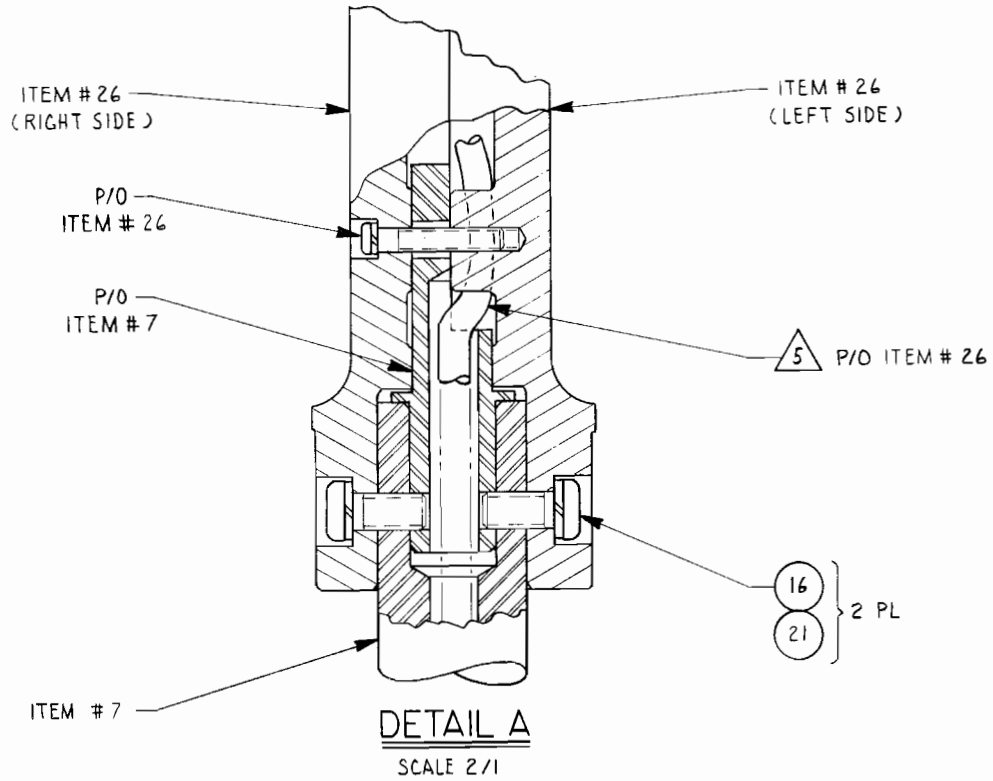
DRAWING NUMBER 800-3272-01

<u>ITEM NO.</u>	<u>PART NO.</u>	<u>QTY. REQ'D</u>	<u>DESCRIPTION</u>
1	105-0279	1	Bracket B
2	109-0059	1	Holder, Spring, Zaxxon Joystick
3	117-0206	1	Plate, Slider, Zaxxon Joystick
4	117-0207	1	Plate, Base, Zaxxon Joystick
5	117-0208	1	Guide Plate, 8 Way, Zaxxon Joystick
6	125-0101	1	Compression Spring
7	250-0556	1	Shaft, Modified
8	105-0278	1	Bracket A
9	250-0560	2	Bracket C
10	250-0555	2	Trunion Bracket
11	285-0125	8	SCR M5-0.8 X 16 Hex Socket Hd Cap
12	280-0469	1	E-Washer 9 MM
13	285-0002	8	SCR M3-0.5 X 14 Lg PNH Phil
14	285-0004	4	SCR M4-0.7 X 8 Lg PNH Phil
15	285-0004	4	SCR M4-0.7 X 10 Lg PNH Phil
16	285-0165	2	SCR M5-0.8 X 10 Lg "Tamper Proof"
17	287-0072	4	Nut M4-0.7 Hex, Mach Thd
18	287-0076		Nut M5-0.8 Hex, Mach Thd Hardened
19			
20	287-0061	8	Washer M4, Lock, Split, Steel
21	287-0061	10	Washer M5, Lock, Split, Steel
22	310-0012	4	Paper Insulator
23	509-0149	4	Switch, Micro Type
24	601-0775	1	Supporter, Shaft, Zaxxon Joystick
25	601-0776	1	Ring, Shaft, Zaxxon Joystick

JOYSTICK ASSEMBLY

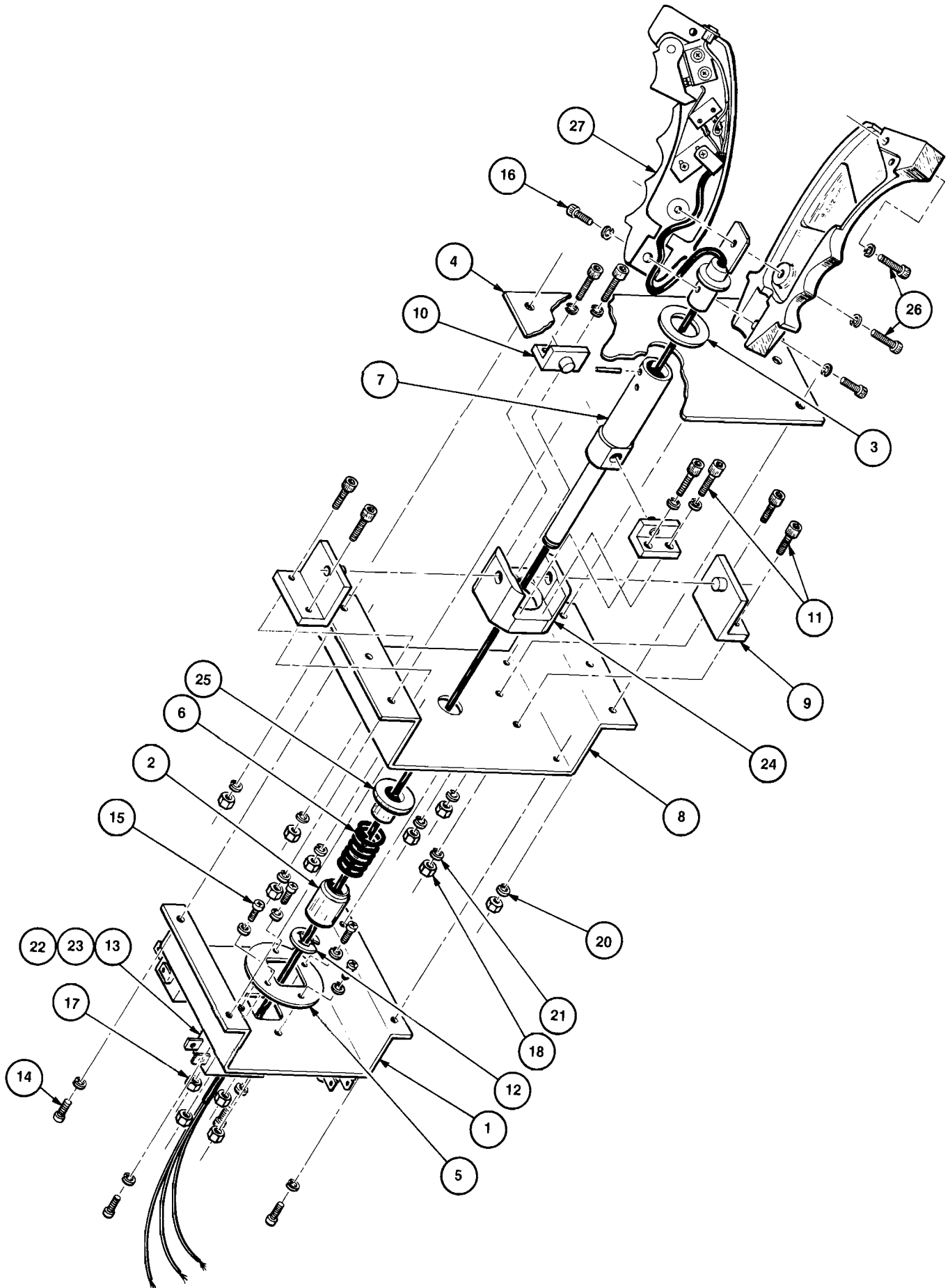
DRAWING NUMBER 800-3272-01

<u>ITEM NO.</u>	<u>PART NO.</u>	<u>QTY. REQ'D</u>	<u>DESCRIPTION</u>
26			
27	800-3271	1	Handle Assembly



Joystick Assembly with Trigger

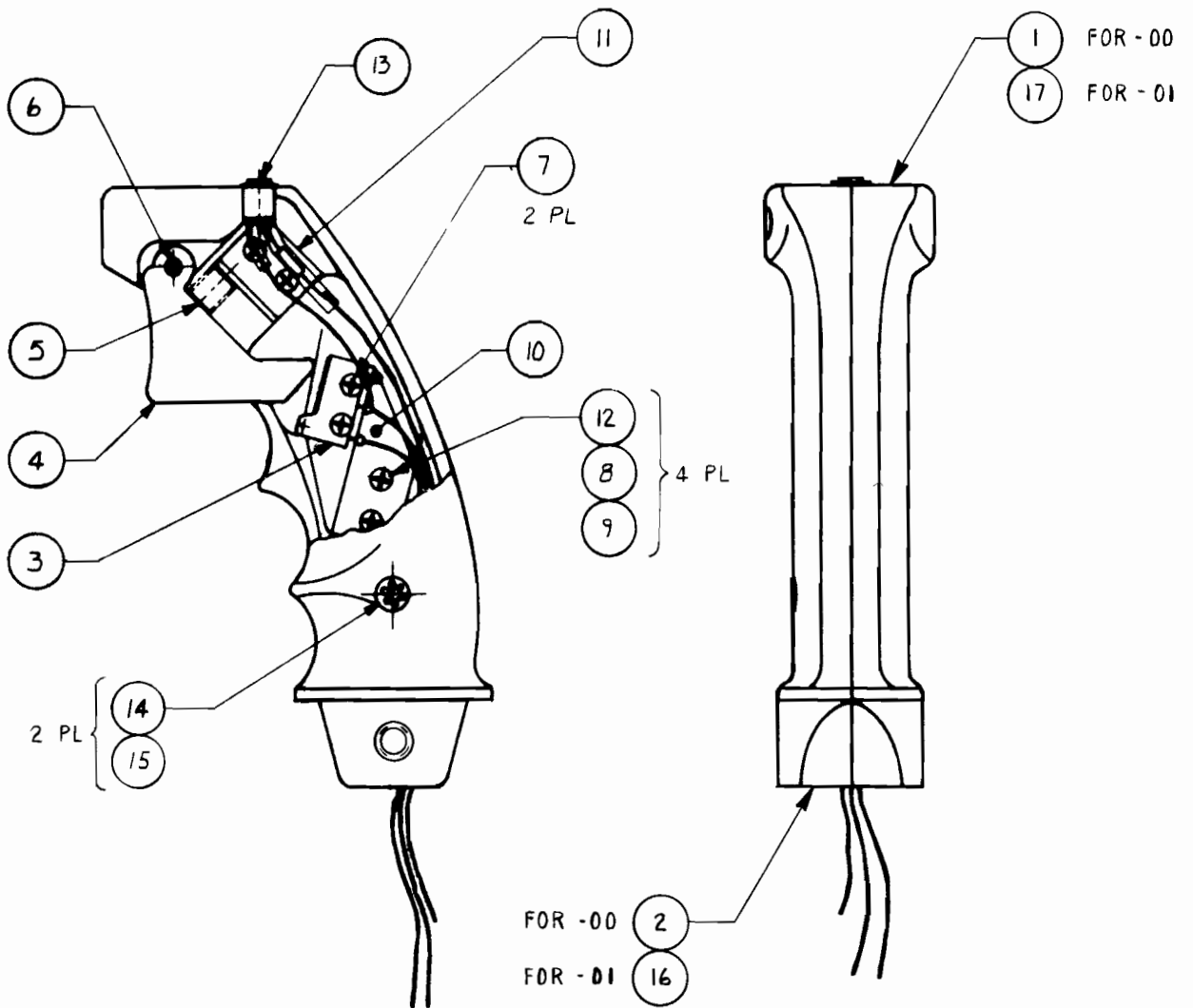
800-3272



HANDLE ASSEMBLY

DRAWING NUMBER 800-3271

<u>ITEM NO.</u>	<u>PART NO.</u>	<u>QTY. REQ'D</u>		<u>DESCRIPTION</u>
		-00	-01	
1	601-0733	1	-	Handle Casting, Left
2	250-0577	1	-	Handle Casting, Modified
3	509-0058	1	1	Switch Micro Type
4	601-0293	1	1	Trigger
5	123-0011	1	1	Spring, Compression
6	123-0070	1	1	Shaft
7	285-0000	2	2	SCR M2-0.4 X 8 Pan HD, Phil, Mach Thd
8	287-0061	4	4	Washer M3 Lock, Split, Steel
9	287-0060	4	4	Washer M3, Flat, Steel
10	105-0127	1	1	Switch Bracket
11	105-0126	1	1	Switch Bracket
12	285-0002	4	4	SCR M3-0.5 X 6 Pan Hd, Phil,
13	800-3264	1	1	Assembly, Led Harness
14	285-0164	2	2	SCR M4-0.7 X 16 "Tamper Proof" Cap
15	287-0061	2	2	Washer M4 Lock, Split, Steel
16	250-0557	-	1	Handle Casting, Modified
17	250-0557	-	1	Handle Casting, Modified



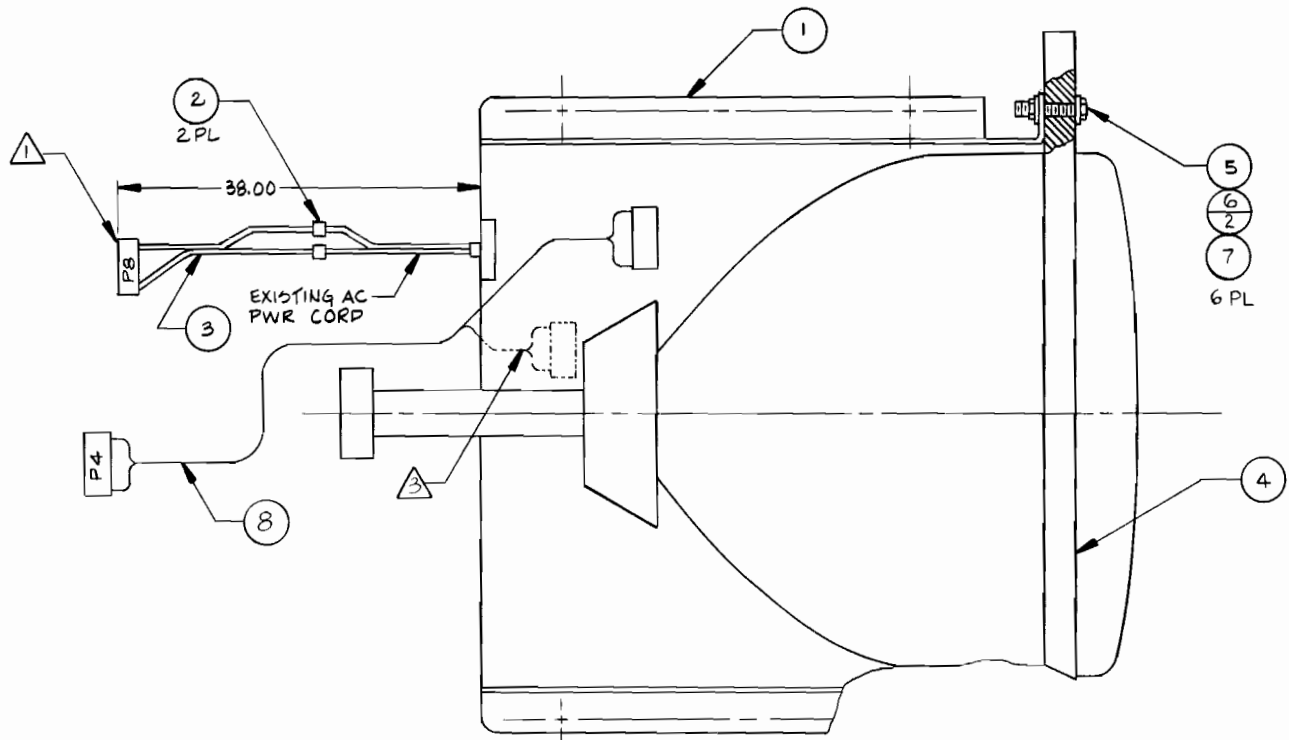
MONITOR COLOR ASSEMBLY

DRAWING NUMBER 800-0362-00

<u>ITEM NO.</u>	<u>PART NO.</u>	<u>QTY. REQ'D</u>	<u>DESCRIPTION</u>
1	200-0022	1	W/G Clr 19 In Vt Mt
	200-0019	1	CRT C1 19 In Vt Mt
	200-0091	1	Mon 19 In Vert Mt W/G
2			
3	800-0369	1	Assembly Harness AC "Z"
4	252-0175	1	Monitor Mounting Board
5	282-0017	6	Hex HD Bolt 1/4-20 X 1.500 Lg
6	284-0027	12	Flat Washer, Large O.D. Steel 1/4
7	283-0007	6	Nut-Hex, Self-Locking, Mach 10-24
8	800-0361	1	Assembly Harn Video Intf
9	470-0221	3	Res 220 Ohm 1/4W
10	470-0302	3	Res 3K 1/4W

Assembly Color Monitor

800-0362



MAIN BOARD

<u>Part No.</u>	<u>Description</u>	<u>Ref. Des.</u>
Resistors		
	33k Ohm, $\pm 10\%$, 1/2W carbon	R603
	470 Ohm, $\pm 10\%$, 5W WW	R606
	2.7k Ohm, $\pm 10\%$, 5W WW	R607
	1.2k Ohm, $\pm 5\%$, 1W MO	R608
	22 Ohm, $\pm 5\%$, 1/8W carbon	R610
	1k Ohm, $\pm 5\%$, 1/2W carbon	R611
	470 Ohm, $\pm 10\%$, 1/2W carbon	R612
	1.2k Ohm, $\pm 5\%$, 1W MO	R613
	680k Ohm, $\pm 5\%$, 1/2W comp	R614
	270k Ohm, $\pm 5\%$, 1/2W comp	R615
	2.7 Ohm, $\pm 5\%$, 1/8W carbon	R616
	68k Ohm, $\pm 5\%$, 1/8W carbon	R617
	1k Ohm, $\pm 5\%$, 1/2W carbon	R624
	2.2 Ohm, $\pm 10\%$, 5W MO	R631
	120 Ohm, $\pm 5\%$, 5W carbon	R632
	2.2 Ohm, $\pm 5\%$, 1/8W carbon	R634
	6.8 Ohm, $\pm 5\%$, 1/2W carbon	R635
	33k Ohm, $\pm 5\%$, 1/8W carbon	R641
	15k Ohm, $\pm 5\%$, 1/8W carbon	R642
	15 Ohm, $\pm 10\%$, 2W carbon	R647
	1.8k Ohm, $\pm 10\%$, 1/2W carbon	R649
	270 Ohm, 10%, 1/2W carbon	R650

<u>Part No.</u>	<u>Description</u>	<u>Ref. Des.</u>
	240 Ohm, $\pm 10\%$, 2W carbon	R651
	6/8k Ohm, $\pm 10\%$, 1/2W carbon	
Semiconductors		
482-0262	Transistor, 2SC1893	TR601
481-0214	Rectifier, (SI) RM-2AV 600V	X601
481-0214	Rectifier, (SI) RM-2AV 600V	X602
481-0214	Rectifier, (SI) RM-2AV 600V	X603
481-0214	Rectifier, (SI) RM-2AV 600V	X604
481-0215	Diode (HS) SB-2CGL 1200V min	X605
481-0149	Diode (SI) IS2473-772	X606
481-0216	Diode (HS) RC-2V 0.8 US	X607
481-0217	Diode (HS) RU-2V	X608
481-0217	Diode (HS) RU-2V	X609
481-0218	Rectifier, power (SI) 500V PIV	X610
481-0218	Rectifier, power (SI) 500V PIV	X611
481-0218	Rectifier, power (S1) 500V PIV	X612
Transformers & Coils		
180-0020	Coil, line filter R-3	L601
180-0014	Coil, filter, 10uh	L602
560-0094	Transformer, hor drive	T602
560-0095	Transformer, side PC	T603
180-0015	Width coil	L702

<u>Part No.</u>	<u>Description</u>	<u>Ref. Des.</u>
Capacitors		
	0.1 uf, 125V, $\pm 20\%$ MM	C601
	2200 pf, Z5F, $\pm 10\%$ ceramic	C602
	2200 pf, 125V ceramic	C603
	2200 pf, Z5F, $\pm 10\%$ ceramic	C604
	330 uf, 200V electrolytic	C605
	47 uf, 160V electrolytic	C608
	.0033 uf, 500V $\pm 10\%$ ceramic	C609
	.01 uf, 500V, $\pm 10\%$ ceramic	C610
	100 pf, 3KV, $\pm 10\%$ ceramic	C611
	.022 uf, 200v, $\pm 10\%$ PP	C612
	220 uf, 25V electrolytic	C613
	33 uf, 25V electrolytic	C614
	0.39 uf, 200V, $\pm 10\%$ PP	C615
	47 pf, 500V ceramic	C616
	1 uf, 50v electrolytic	C617
	1 uf, 50V electrolytic	C619
	0.1 uf, 100V, $\pm 10\%$ mylar	C620
	0.1 uf, 1.5KV, $\pm 20\%$ paper	C621
	1000 uf, 35V electrolytic	C622
	470 uf, 25V electrolytic	C623
	100 uf, 25V electrolytic	C624
	10 uf, 160V electrolytic	C625
	100 pf, 500V, $\pm 10\%$ ceramic	C626

<u>Part No.</u>	<u>Description</u>	<u>Ref. Des.</u>
	39 pf, 500V, $\pm 10\%$ ceramic	C627
	2200 pf, 500V, $\pm 10\%$ ceramic	C628
	6900 pf, 1.5KV, $\pm 5\%$ PP	C629
	2.2 uf, 50V electrolytic	C633
	3 pf, 2kV, ± 0.5 pf ceramic	C637
	.056 uf, 10% mylar	C638
Miscellaneous		
	Fuse (UL/CSA) 3A-125	F601
	Socket, 6 pin	J607
	Plug, 3 pin (GT)	P602
	Plug, 4 pin (NM)	P604
	Plug, 6 pin (GT)	P607
	Plug, 3 pin (NM)	P608
	Plug, 2 pin (NM)	P611
	Thermistor	TH601
	Plug, 6 pin	P201
	Plug, 6 pin	P202
VERT/HOR BOARD		
Resistors		
	820 Ohm, $\pm 5\%$, 1/8W carbon	R301
	12k Ohm, $\pm 5\%$, 1/8W carbon	R302
	15k Ohm, $\pm 5\%$, 1/8W carbon	R303
	10k Ohm, $\pm 5\%$, 1/8W carbon	R304
	330k Ohm, $\pm 5\%$, 1/8W carbon	R305

<u>Part No.</u>	<u>Description</u>	<u>Ref. Des.</u>
	1k Ohm, ±5%, 1/8W carbon	R306
	1.5k Ohm, ±5%, 1/8W carbon	R307
	2.2k Ohm, ±5%, 1/8W carbon	R309
	470k Ohm, ±5%, 1/8W	R310
	56k Ohm, ±5%, 1/8W carbon	R311
	100k Ohm, ±5%, 1/8W carbon	R312
	10k Ohm, ±5%, 1/8W carbon	R313
	47k Ohm, 5%, 1/8W carbon	R314
	820 Ohm, ±5%, 1/8W carbon	R315
	120 Ohm, ±5%, 1/8W carbon	R316
	2.2 Ohm, ±5%, 1/2W carbon	R317
	33k Ohm, ±5%, 1/4W carbon	R318
	10 Ohm, ±5%, 1/8W carbon	R319
	15k Ohm, ±5%, 1/8W carbon	R320
	560 Ohm, ±5%, 1/2 W carbon	R321
	22 Ohm, ±5%, 2W MO	R322
	1.5 Ohm, ±5%, 1/8W carbon	R323
	27k Ohm, ±5%, 1/8W carbon	R324
	47 Ohm, ±5%, 1/8W carbon	R325
	820 Ohm, ±5%, 1/8W carbon	R328
	10k Ohm, ±5%, 1/8W carbon	R330
	220k Ohm, ±5%, 1/8W carbon	R331
	2.2k Ohm, ±5%, 1/8W carbon	R351
	15k Ohm, ±5%, 1/8W carbon	R352

<u>Part No.</u>	<u>Description</u>	<u>Ref. Des.</u>
	18k Ohm, $\pm 5\%$, 1/8W carbon	R353
	3.9k Ohm, $\pm 5\%$, 1/8W carbon	R354
	12k Ohm, $\pm 5\%$, 1/8W carbon	R355
	470 Ohm, $\pm 5\%$, 1/8W carbon	R356
	2.2k Ohm, $\pm 5\%$, 1/8W carbon	R357
	1.2k Ohm, $\pm 5\%$, 1/8W carbon	R358
	68k Ohm, $\pm 5\%$, 1/8W carbon	R359
	27 Ohm, $\pm 5\%$, 1/4W carbon	R360
	1.2k Ohm, $\pm 5\%$, 1/8W carbon	R361
	1.2k Ohm, $\pm 5\%$, 1/8W carbon	R363
	47k Ohm, $\pm 5\%$, 1W MO	R364
	56k Ohm, $\pm 5\%$, 1/2W carbon	R365
	3.3k Ohm, $\pm 5\%$, 1/8W carbon	R366
	2.2k Ohm, $\pm 5\%$, 1/2W carbon	R367
	3.9k Ohm, $\pm 5\%$, 1/8W carbon	R368
	3.3k Ohm, $\pm 5\%$, 1/4W carbon	R369
	1k Ohm, $\pm 5\%$, 1/4W carbon	R370
	2.7k Ohm, $\pm 5\%$, 1/4W carbon	R371
	2.2k Ohm, $\pm 5\%$, 1/4W carbon	R383
	8.2k Ohm, $\pm 5\%$, 1/4W carbon	R384
	Varistor, 250k Ohm, vert hold	VR301
	Varistor, 20k Ohm, vert size	VR302
	Varistor, 50k Ohm, hor hold	VR351

<u>Part No.</u>	<u>Description</u>	<u>Ref. Des.</u>
Capacitors		
	0.15 uf, 50V \pm 10% mylar	C301
	0.022 uf, 50V, \pm 10% mylar	C302
	0.1 uf, 50V, \pm 10% mylar	C304
	2.2 uf, 50V, electrolytic	C306
	0.15 uf, 50V, \pm 10% mylar	C307
	0.1 uf, 50V, \pm 10% mylar	C309
	22 uf, 16V electrolytic	C310
	1000 uf, 35V electrolytic	C311
	0.0082 uf, 50V, \pm 10% ceramic	C312
	47 uf, 50V electrolytic	C313
	10 uf, 25V electrolytic	C315
	3300 uf, 50V, \pm 10% mylar	C316
	100 pf 50V, \pm 10% ceramic	C317
	1500 pf, 50V, \pm 10% ceramic	C351
	1000 pf, 50V, \pm 10% ceramic	C352
	0.022 uf, 50V, \pm 10% mylar	C353
	0.1 uf, 50V, \pm 10% mylar	C355
	4.7 uf, 25V electrolytic	C356
	0.015 uf, 200V, \pm 10% PP	C357
	0.018 uf, 200V, \pm 10% PP	C358
	4.7 uf, 160V electrolytic	C359
	0.01 uf, 50V, \pm 10% ceramic	C360
	0.015 uf, 50V, \pm 10% mylar	C361

<u>Part No.</u>	<u>Description</u>	<u>Ref. Des.</u>
	10 uf, 50V electrolytic	C362
	0.01 uf, 630V, ±10% PP	C363
	0.01 uf, 50V, ±10% ceramic	C364
Semiconductors		
482-0282	Transistor, 2SA826Q	TR301
482-0261	Transistor, 2SC1740Q	TR302
482-0283	Transistor, 2SA1740Q	TR303
482-0261	Transistor, 2SC1740Q	TR304
452-0284	Transistor, 2SA490YLBGLI	TR305
482-0285	Transistor, 2SC1625YLBGLI	TR306
482-0261	Transistor, 2SC1740R	TR307
482-0261	Transistor, 2SC1740Q	TR308
482-0117	Transistor, 2SA854Q	TR351
482-0286	Transistor, 2SC1722BKS	TR352
482-0261	Transistor, 2SC1740Q	TR353
482-0282	Transistor, 2SA826Q	TR354
481-0149	Diode (SI) IS 2473-T72	X301
481-0149	Diode (SI) IS2473-T72	X302
481-0099	Diode (GE), IN60TVGL	X303
481-0219	Diode (SI) ISS81	X304
481-0219	Diode (SI) ISS81	X305
481-0219	Diode (SI) ISS81	X306
481-0220	Diode (SI) MA26W	X307
481-0149	Diode (SI) IS2473	X308

<u>Part No.</u>	<u>Description</u>	<u>Ref. Des.</u>
481-0149	Diode (SI) IS2473-T72	X351
481-0149	Diode (SI) IS2473-T72	X352
481-0149	Diode (SI) IS2473-T72	X53
481-0149	Diode (SI) IS2473-T72	X54
481-0221	Diode (Zener) RD10EBI	X355
481-0222	Diode (HS) RU-1 0.3 US	X366
Miscellaneous		
204X9300-958	Socket, 6 pin	J301
204X9300-958	Socket, 6 pin	J302
204X9601-195	Plug, 6 pin	P301
204X9601-195	Plug, 6 pin	P302
201X0000-534	Thermistor	TH301
Transformers & Coils		
101-0030	Coil, horiz osc	L351
POWER BOARD		
Resistors		
	180 Ohm, $\pm 10\%$, 15W WW	R501
	100 Ohm, $\pm 5\%$, 1/8W carbon	R502
	1k Ohm, $\pm 5\%$, 1/8W carbon	R503
	560 Ohm, $\pm 5\%$, 1/8W carbon	R504
	39k Ohm, $\pm 5\%$, 1W MO	R505
	6.8k Ohm, $\pm 5\%$, 1/8W carbon	R506
	Varistor volt adj	VR501

<u>Part No.</u>	<u>Description</u>	<u>Ref. Des.</u>
Capacitors		
	10uf, 160V electrolytic	C501
	1500 pf, 50V, $\pm 10\%$ ceramic	C502
	22 uf, 16V electrolytic	
Semiconductors		
482-0261	Transistor, 2SC1740Q	TR501
482-0288	Transistor, 2SC1454	TR502
481-0135	Diode (SI) zener EQB01-06V	X501
481-0149	Diode (SI) IS2473-T72	X502
Miscellaneous		
	Socket, 6 pin	J501
	Plug, 6 pin	P501
	Thermistor	TH501
NECK BOARD		
Resistors		
	1.8k Ohm, $\pm 5\%$, 1/8W carbon	R401
	1.8k Ohm, $\pm 5\%$, 1/8W carbon	R402
	1.8k Ohm, $\pm 5\%$, 1/8W carbon	R403
	150 Ohm, $\pm 5\%$, 1/8W carbon	R404
	220 Ohm, $\pm 5\%$, 1/8W carbon	R405
	150 Ohm, $\pm 5\%$, 1/8W carbon	R406
	390 Ohm, $\pm 5\%$, 1/4W carbon	R407
	390 Ohm, $\pm 5\%$, 1/4W carbon	R408
	4.7k Ohm, $\pm 5\%$, 1/8W carbon	R409

<u>Part No.</u>	<u>Description</u>	<u>Ref. Des.</u>
	4.7k Ohm, $\pm 5\%$, 1/8W carbon	R410
	4.7k Ohm, $\pm 5\%$, 1/8W carbon	R411
	12k Ohm, $\pm 5\%$, 2.0W metal oxide	R412
	12k Ohm, $\pm 5\%$, 2.0W metal oxide	R413
	12k Ohm, $\pm 5\%$, 2.0W metal oxide	R414
	2.7k Ohm, $\pm 10\%$ 1/2W comp	R415
	2.7k Ohm, $\pm 10\%$, 1/2W comp	R416
	2.7k Ohm, $\pm 10\%$, 1/2W comp	R417
	470k Ohm, $\pm 10\%$, 1/2W comp	R418
	330k Ohm, $\pm 10\%$, 1/2W comp	R419
	1.0 Ohm, $\pm 10\%$, 2W metal oxide	R422
	270 Ohm, $\pm 5\%$, 1/4W carbon	R423
	500 Ohm varistor R drive	VR401
	500 Ohm varistor B drive	VR402
	5k Ohm varistor R cutoff	VR403
	5k Ohm varistor G cutoff	VR404
	5k Ohm varistor B cutoff	VR405
	1M Ohm varistor screen	VR406
Capacitors		
	1000 pf, 50V, 10% ceramic	C401
	1000 pf, 50V, 10% ceramic	C402
	1000 pf, 50V, 10% ceramic	C403
	1500 pf, 2kV $\pm 10\%$ ceramic	C404
	100 pf, 12kv, $\pm 10\%$ ceramic	C405

<u>Part No.</u>	<u>Description</u>	<u>Ref. Des.</u>
	.01 uf, 500V, $\pm 10\%$ ceramic	C406
	1500 pf, 2kV, $\pm 10\%$ ceramic	C407
	68 pf, 50V, $\pm 10\%$ ceramic	C408
	68 pf, 50V, $\pm 10\%$ ceramic	C409
	68 pf, 50V, $\pm 10\%$ ceramic	C410
Semiconductors		
482-0155	Transistor, 2SC1514 (R output)	TR401
482-0155	Transistor, 2SC1514 (G output)	TR402
482-0155	Transistor, 2SC1514 (B output)	TR403
481-0223	Diode, IS2367 (protector)	X404
481-0223	Diode, IS2367 (protector)	X405
481-0223	Diode, IS2367 (protector)	X406
Miscellaneous		
	Socket, 5 pin	J401
	Socket, 3 pin	J402
	Plug, 5 pin	P401
	Plug, 3 pin	P402
800-3253 High Voltage Assembly (T701)		
	6.8 Ohm, $\pm 10\%$ 15W WW resistor	R701
220-0223	Focus control	VR702
	Diode (SI HV))	X701
	Diode (SI HV))	X702
	Diode (SI HV))	X703
) Part of T701	

<u>Part No.</u>	<u>Description</u>	<u>Ref. Des.</u>
Final Assembly Parts		
200-0020	19VJTP22 pix tube	
800-3254	Assy purity shld/degaussing	
800-3255	Lateral/purity assembly	
200-0066	Yoke, deflection	
213-0021	CRT socket	
800-3253	HV unit (T701)	
	Plug, line cord (K4625, K4675, K4677)	
	Plug, line cord (K4626, K4676)	
180-0021	Degaussing coil (L701)	
	INTERFACE FACE BOARD (P317)	
Resistors		
	91 0hm $\pm 5\%$, 12/W carbon	R201
	22k 0hm, $\pm 10\%$, 1/4W carbon	R202
	1k 0hm, $\pm 5\%$, 1/2W carbon	R203
	100 0hm, $\pm 5\%$, 1/4W carbon	R204
	100k 0hm, $\pm 5\%$, 1/4W carbon	R205
	330 0hm, $\pm 10\%$, 1/2W carbon	R206
	2.2k 0hm, $\pm 5\%$, 1/4W carbon	R207
	2.2k 0hm, $\pm 5\%$, 1/4W carbon	R208
	100k 0hm, $\pm 5\%$, 1/4W carbon	R209
	100 0hm, $\pm 5\%$, 1/4W carbon	R210
	220 0hm, $\pm 5\%$, 1/4W carbon	R211
	220 0hm, $\pm 5\%$, 1/4W carbon	R212

<u>Part No.</u>	<u>Description</u>	<u>Ref. Des.</u>
	220 Ohm, $\pm 5\%$, 1/4W carbon	R213
	150 Ohm, $\pm 5\%$, 1/4W carbon	R214
	150 Ohm, $\pm 5\%$, 1/4W carbon	R215
	150 Ohm, $\pm 5\%$, 1/4W carbon	R216
	100 Ohm, $\pm 5\%$, 1/4W carbon	R217
	1k Ohm, $\pm 5\%$, 1/2W carbon	R218
	1k Ohm, $\pm 5\%$, 1/2W carbon	R219
	680 Ohm, $\pm 5\%$, 1/2W carbon	R220
	270 Ohm, $\pm 5\%$, 1/2W carbon	R221
	270 Ohm, $\pm 5\%$, 1/2W carbon	R222
	100k Ohm, 5%, 1/4W carbon	R223
	1k Ohm, 5%, 1/2W carbon	R224
	8.2k Ohm, 5%, 1/4W carbon	R225
	8.2k Ohm, 5%, 1/4W carbon	R226
	8.2k Ohm, 5%, 1/4W carbon	R227
	390 Ohm, 5%, 1/2W carbon	R228
	1.5k Ohm black level control	VR201
	10k Ohm horizontal centering	VR202
Capacitors		
	1000 uf, 16V electrolytic	C201
	470 uf, 16V lytic	C202
	.022 uf, 10% 100V	C203
	680 pf, 10%, Z5F	C204
	.01 uf, 10%, 100V	C205

<u>Part No.</u>	<u>Description</u>	<u>Ref. Des.</u>
Semiconductors		
482-0030	Transistor (NPN) 2N3904	TR201
482-0030	Transistor (NPN) 2N3904	TR202
482-0030	Transistor (NPN) 2N3904	TR203
482-0289	Transistor (PNP) MPS-A70	TR204
482-0289	Transistor (PNP) MPS-A70	TR205
482-0289	Transistor (PNP) MPS-A70	TR206
482-0030	Transistor (NPN) 2N3904	TR207
482-0030	Transistor (NPN) 2N3904	TR208
482-0030	Transistor (NPN) 2N3904	TR209
482-0030	Transistor (NPN) 2N3904	TR210
481-0224	Diode silicon FDH-444	X201
481-0224	Diode silicon FDH-444	X202
481-0224	Diode silicon FDH-444	X203
481-0224	Diode silicon FDH-444	X204
481-0014	Diode, zener 3.9V, 5%, 0.5W IN5228B	ZD201
Miscellaneous		
	Socket, 6 pin	J201
	Socket, 6 pin	J202
	Plug, 4 pin	P203
	Plug, 3 pin	P204
	Plug, 6 pin	P205

<u>Part No.</u>	<u>Description</u>	<u>Ref. Des.</u>
Resistors		
	91 Ohm, $\pm 5\%$, 1/2W carbon	R201
	22k Ohm, $\pm 10\%$, 1/4W carbon	R202
	1k Ohm, $\pm 5\%$, 1/2W carbon	R203
	100 Ohm, $\pm 5\%$, 1/4W carbon	R204
	100k Ohm, $\pm 5\%$, 1/4W carbon	R205
	330 Ohm, $\pm 10\%$, 1/2W carbon	R206
	2.2k Ohm, $\pm 5\%$, 1/4W carbon	R207
	2.2k Ohm, $\pm 5\%$, 1/4W carbon	R208
	100k Ohm, $\pm 5\%$, 1/4W carbon	R209
	100 Ohm, $\pm 5\%$, 1/4W carbon	R210
	200 Ohm, $\pm 5\%$, 1/4W carbon	R211
	200 Ohm, $\pm 5\%$, 1/4W carbon	R212
	200 Ohm, $\pm 5\%$, 1/4W carbon	R213
	200 Ohm, $\pm 5\%$, 1/4W carbon	R214
	200 Ohm, $\pm 5\%$, 1/4W carbon	R215
	200 Ohm, $\pm 5\%$, 1/4W carbon	R216
	100 Ohm, $\pm 5\%$, 1/4W carbon	R217
	1k Ohm, $\pm 5\%$, 1/2W carbon	R218
	1k Ohm, $\pm 5\%$, 1/2W carbon	R219
	1k Ohm, 5%, 1/2W carbon	R220
	200 Ohm, 5%, 1/2W carbon	R221
	200 Ohm, 5%, 1/2W carbon	R222
	100k Ohm, 5%, 1/4W carbon	R223

<u>Part No.</u>	<u>Description</u>	<u>Ref. Des.</u>
	680k Ohm, 5%, 1/2W carbon	R224
	8.2k Ohm, 5%, 1/4W carbon	R225
	8.2k Ohm, 5%, 1/4W carbon	R226
	8.2k Ohm, 5%, 1/4W carbon	R227
	390 Ohm, 5%, 12W carbon	R228
	1.5k Ohm black level control	VR201
	10k Ohm horizontal centering	VR202
Capacitors		
	1000 uf, 16V electrolytic	C201
	470 uf, 16V lytic	C202
	.022 uf, 10% 100V	C203
	680 pf, 10%, Z5F	C204
	.01 uf, 10%, 100V	C205
Semiconductors		
482-0030	Transistor (NPN) 2N3904	TR201
482-0030	Transistor (NPN) 2N3904	TR202
482-0030	Transistor (NPN) 2N3904	TR203
482-0289	Transistor (PNP) MPS-A70	TR204
482-0289	Transistor (PNP) MPS-A70	TR205
482-0289	Transistor (PNP) MPS-A70	TR206
482-0030	Transistor (NPN) 2N3904	TR207
482-0030	Transistor (NPN) 2N3904	TR208
	482-0030 Transistor (NPN) 2N3904	TR209
482-0030	Transistor (NPN) 2N3904	TR210

<u>Part No.</u>	<u>Description</u>	<u>Ref. Des.</u>
481-0224	Diode silicon FDH-444	X201
481-0224	Diode silicon FDH-444	X202
481-0224	Diode silicon FDH-444	X203
481-0224	Diode silicon FDH-444	Xw04
481-0014	Diode, zener 3.9V, 5%, 0.5W IN5228B	ZD201
Miscellaneous		
	Socket, 6 pin	J201
	Socket, 6 pin	J202
	Plug, 4 pin	P203
	Plug, 3 pin	P204
	Plug, 6 pin	P205

P.C. BOARD LAYOUT

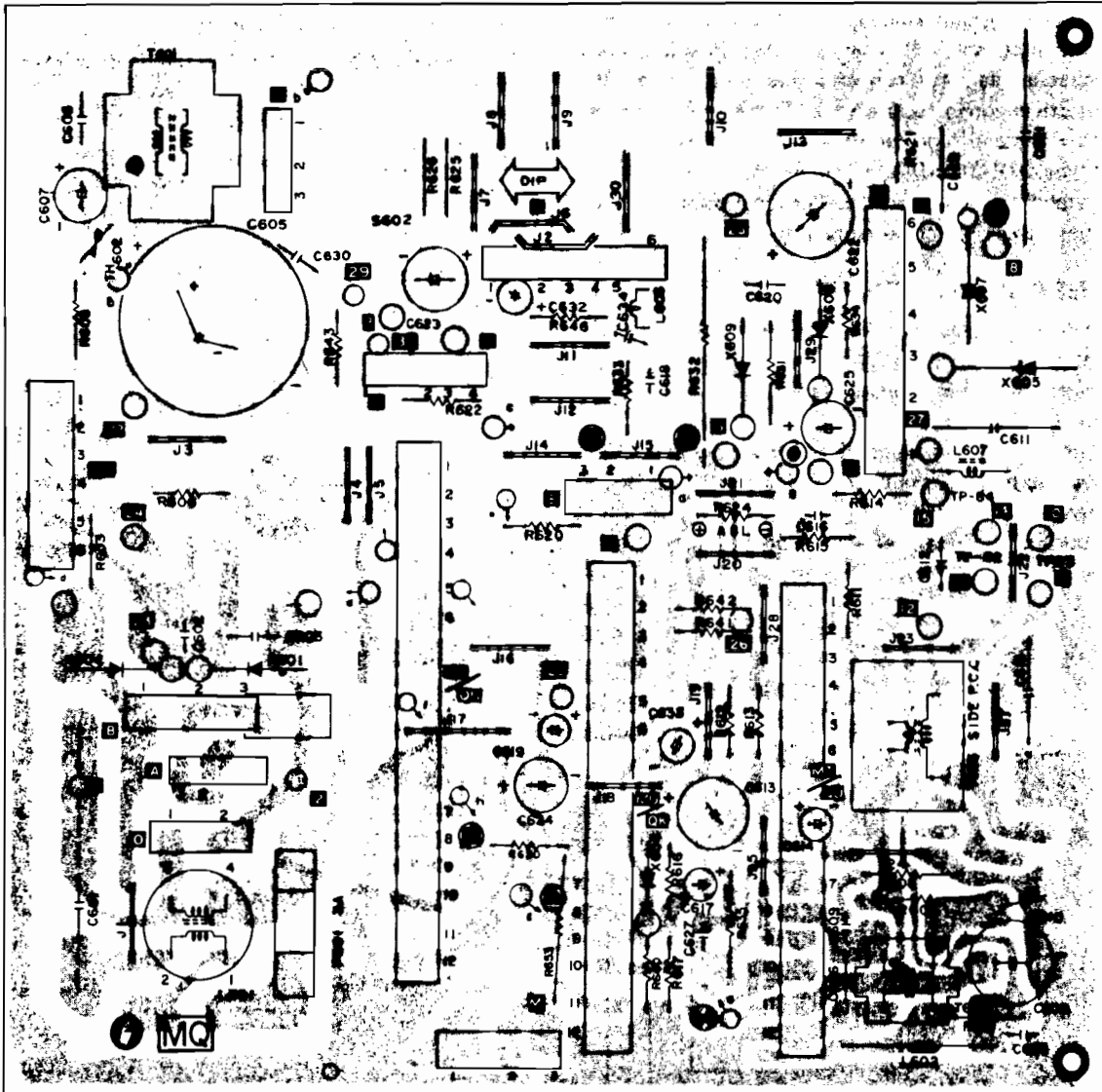


FIGURE 12. MAIN P.C. BOARD

P.C. BOARD LAYOUT

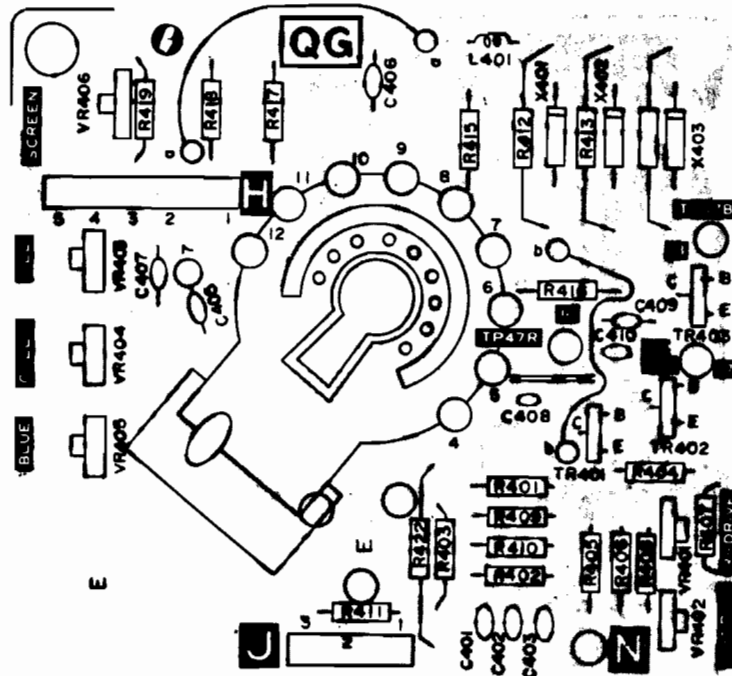


FIGURE 13. NECK P.C. BOARD

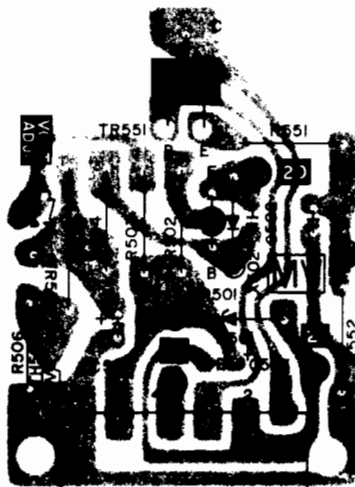


FIGURE 14. POWER P.C. BOARD

P.C. BOARD LAYOUT

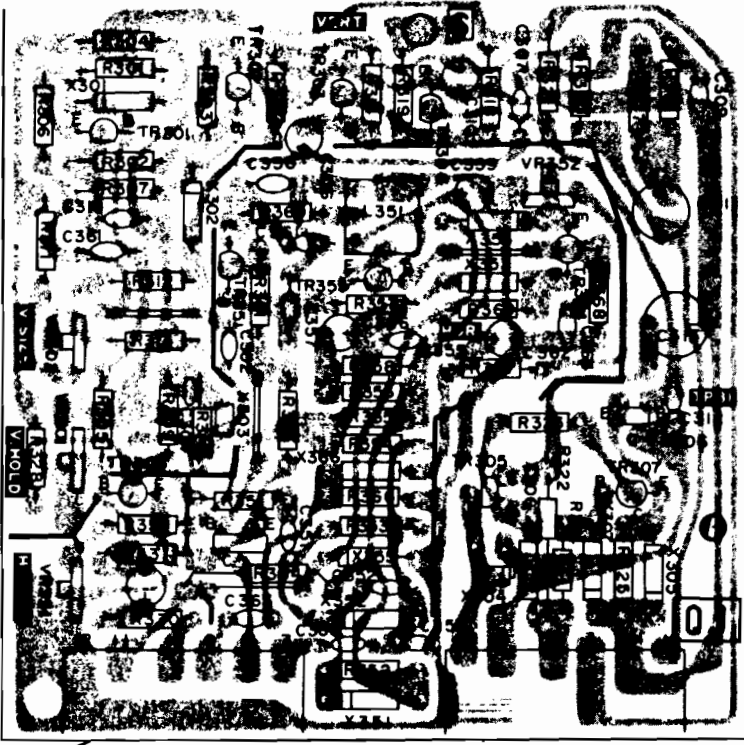


FIGURE 15. HORIZ/VERT P.C. BOARD

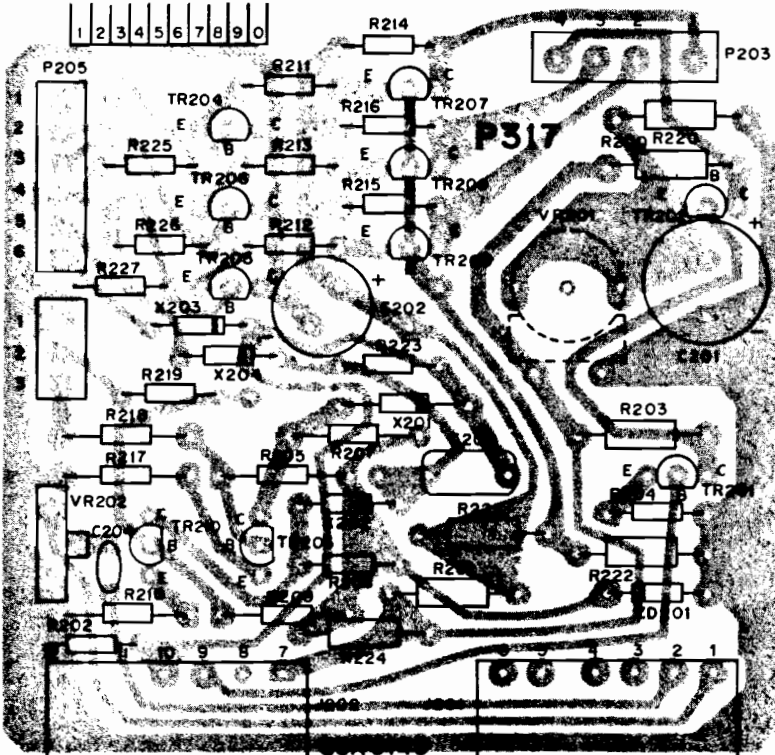
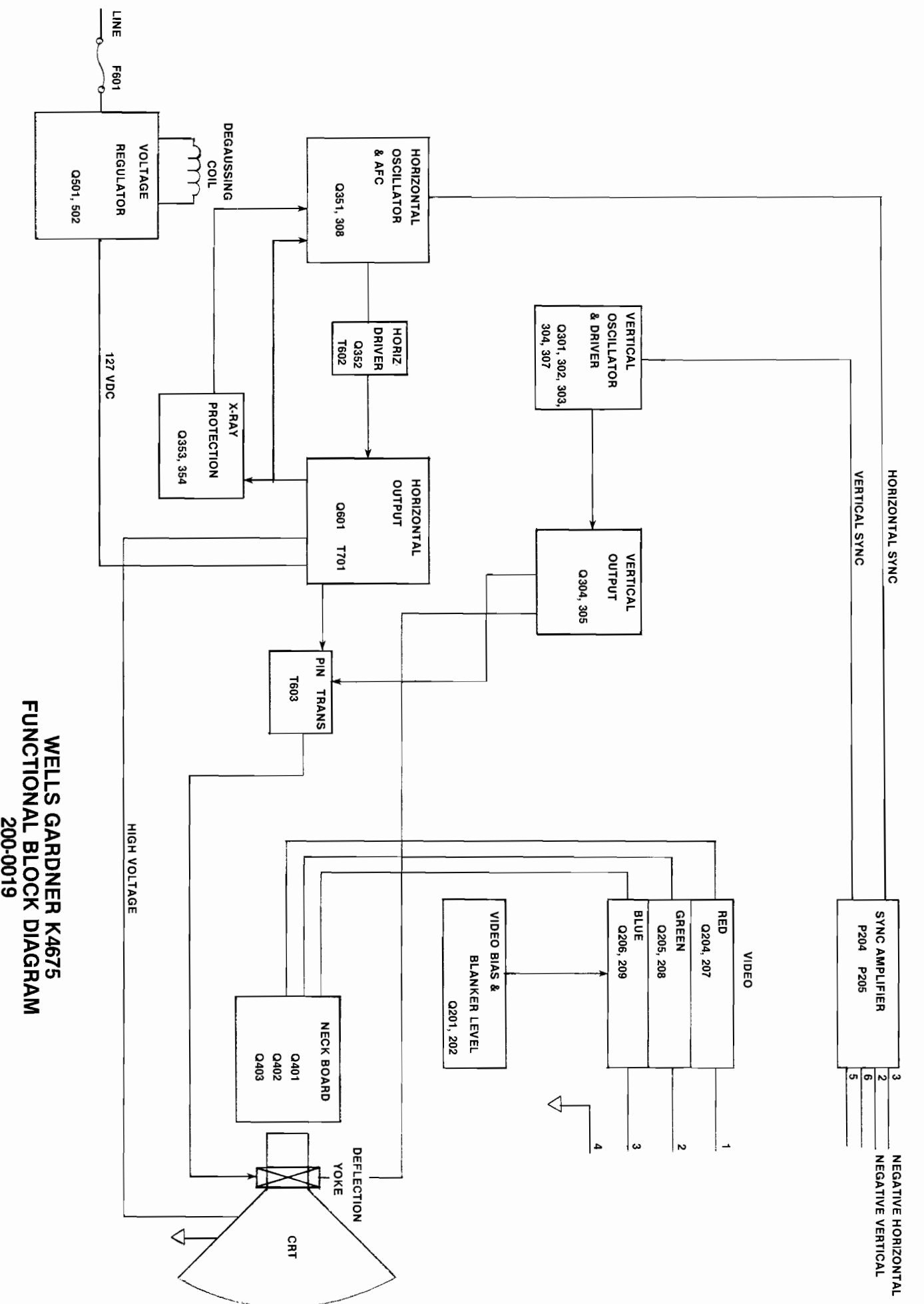


FIGURE 16. INTERFACE BOARD (P317 AND P318)



WELLS GARDNER K4675
 FUNCTIONAL BLOCK DIAGRAM
 200-0019

OUTSIDE OF THE PCB ASSY

<u>Part No.</u>	<u>Description</u>	<u>Ref. Des.</u>
200-0667	Picture tube 19"	
200-0068	Deflection yoke	
113-0009	PC magnet	
560-0096	Flyback trans.	
	HVR	
	UNF resistor 220 Ohm, 25W K	R05
	C capacitor 150pf, AC1.5KV	C04
482-0198	Si. transistor, 2SD870	X01
482-0143	Si. transistor, 2SC1106A	X02
	Screw #8 3/8	
	Screw 1/4 x 3/4 pix tube mtg (4)	
	Pyramidal lock washer (4)	
	Nut retainer, pix tube mtg (4)	
	Clip--PCB support	
	Standoff	
	Wire terminal (gnd strap)	
	Terminal lug (gnd)	
	Groundstrap assy	
	Grounding spring	
	Wire hook (gnd strap)	
	Purity shield holddown clamp	
	Support brkt RH	
	Support brkt LH	

<u>Part No.</u>	<u>Description</u>	<u>Ref. Des.</u>
	Chassis base	
	Yoke wedge (3)	
	PURITY SHIELD ASSY	
180-0022	Degaussing coil	D911,D912
481-0225	Rectifier 1 amp 600 V (2)	
	Pin terminal (2)	
	Pin terminal housing	
	Purity shield (2 pcs)	
	Purity shield (2 pcs)	
	Capacitor 100nf 10% 400V	C911
	Resistor, wirewound 33 Ohm, 4W	R921
	Fire retardent term strip 4 lug	
	CRT SOCKET PCB ASSY	
	V R 200	R105
	V R 200	R106
	V R 5K	R113
	V R 5K	R114
	V R 5K	R115
	OM R 10K Ohm 2W J	R116
	OM R 10K Ohm 2W J	R117
	OM R 10K Ohm 2W J	R118
	Comp R 3.3K Ohm 1/2W K	R119
	Comp R 3.3K Ohm 1/2W K	R120
	Comp R 3.3K Ohm 1/2W K	R121

<u>Part No.</u>	<u>Description</u>	<u>Ref. Des.</u>
Capacitors		
	E Cap 10uf 250V A	C107
	C Cap 1000pf DC1400V P	C108
Coils		
180-0023	Peaking coil	L101
Semiconductors		
482-0290	Si transistor, 2SC1514VC	X101
482-0290	Si transistor, 2SC1514VC	X102
482-0290	Si transistor, 2SC1514VC	X103
Miscellaneous		
213-0022	CRT socket	
	MAIN PCB ASSY	
Resistors		
	V R 200 Ohm	R406
	V R 200 Ohm	R408
	CMF R 6.8 Ohm 1W J	R410
	OM R 3.3K Ohm 1W J	R414
	OM R 2.7K Ohm 1W J	R415
	OM R 12K Ohm 2W J	R421
	V R 10K Ohm	R422
	F R 68 Ohm 2W K	FR401
	CMF R 11.8K Ohm 1/4W +1%	R503
	V R 5K Ohm	R504
	OM R 10K Ohm 2W J	R509
	OM R 8.2K Ohm 2W J	R512

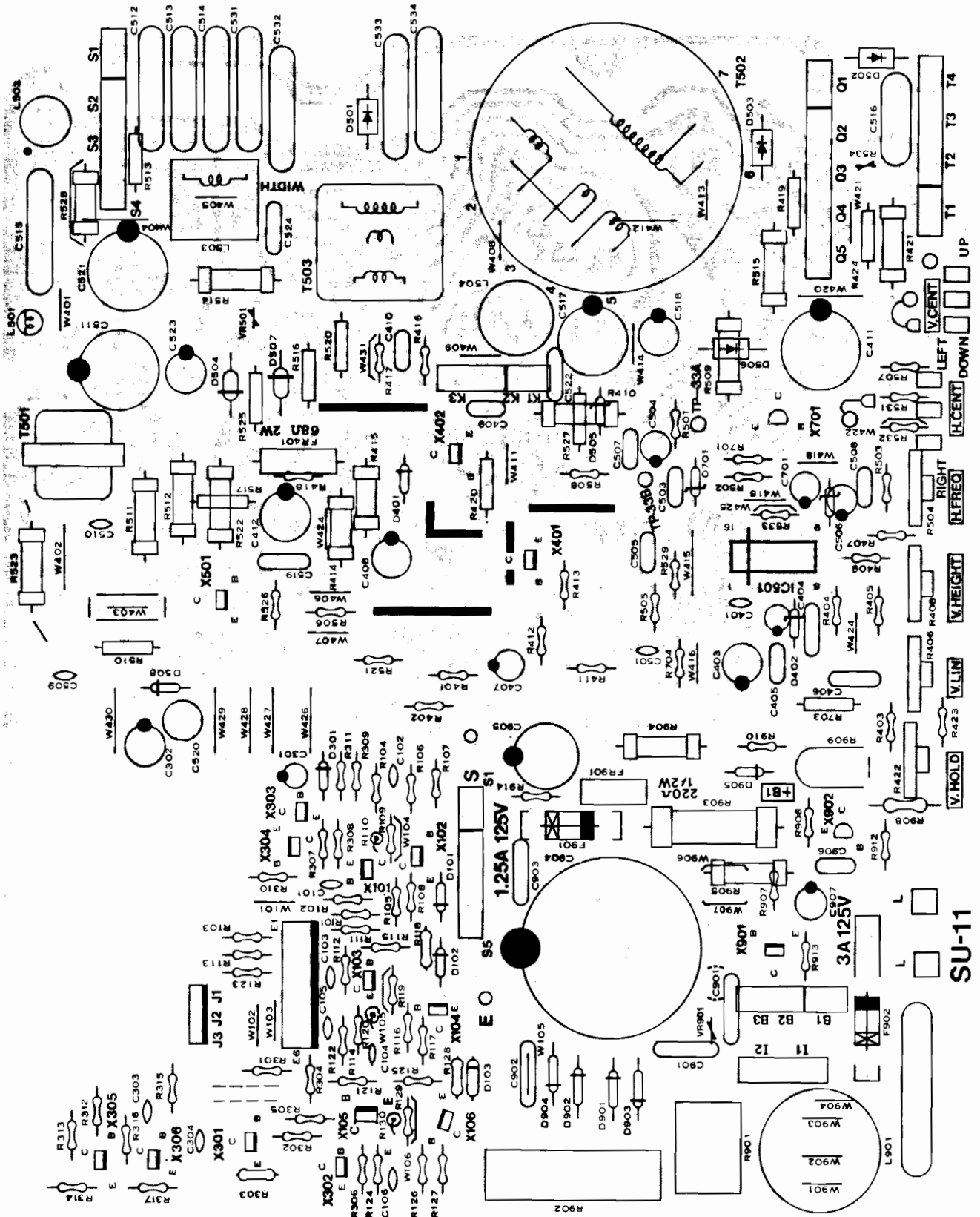
<u>Part No.</u>	<u>Description</u>	<u>Ref. Des.</u>
	OM R 820 Ohm 2W J	R514
	CMF R 8.2 Ohm 1W J	R515
	CMF R 4.7 Ohm 1W J	R522
	OM R 68 Ohm 2W J	R523
	OM R 390 Ohm 1W J	R528
	ZN R 470 Ohm	R534
	ZN R	VR501
	CMF R 39 Ohm 1/2W + 1%	R703
	CMF R 7.68K Ohm 1/4W + 1%	R704
	Posistor	R901
	UNF R 2 Ohm 7W K	R902
	CMF R 4.7 Ohm 3W J	R903
	OM R 10K Ohm 2W J	R904
	OM R 18K Ohm 1W J	R905
	CMF R 47 Ohm 1/2W + 1%	Q908
	V R 2K Ohm	R909
	CMF R 2.74K Ohm 1/4W + 1%	R910
	F R 220 Ohm 1/2W K	FR901
Capacitors		
	BPE Cap 3.3uf 50V A	C301
	Tan cap 2.2uf 16V K	C402
	E cap 4.7uf 6.3V A	C407
	E cap 100uf 160V A	C411
	E cap 3.3uf 160V A	C412

<u>Part No.</u>	<u>Description</u>	<u>Ref. Des.</u>
	PP cap 5600uf 50V J	C508
	PP cap 2000pf DC1500V J	C512
	PP cap 2000pf DC1500V J	C513
	PP cap 2000pf DC1500V J	C514
	PP cap 0.53uf DC1200V J	C515
	BPE cap 3.3uf 50V A	C520
	E cap 1uf 160V A	C523
	M cap 0.1uf 200V K	C524
	PP cap 2000pf DC1500V J	C531
	PP cap 1500pf DC1500V J	C532
	E cap	C904
	E cap 10uf 250V A	C905
Coils		
180-0024	Linarity coil	L502
181-0031	Width coil	L503
180-0025	Heater choke	L504
Transformers		
560-0061	Hor drive transf	T501
560-0097	Side pin transf	T503
Semiconductors		
316-0807	IC HA11244	IC501
482-0177	Si transistor, 2SC1685(R)	X101
482-0111	Si transistor, 2SA673(C)	X102
482-0177	Si transistor, 2SC1685(R)	X103

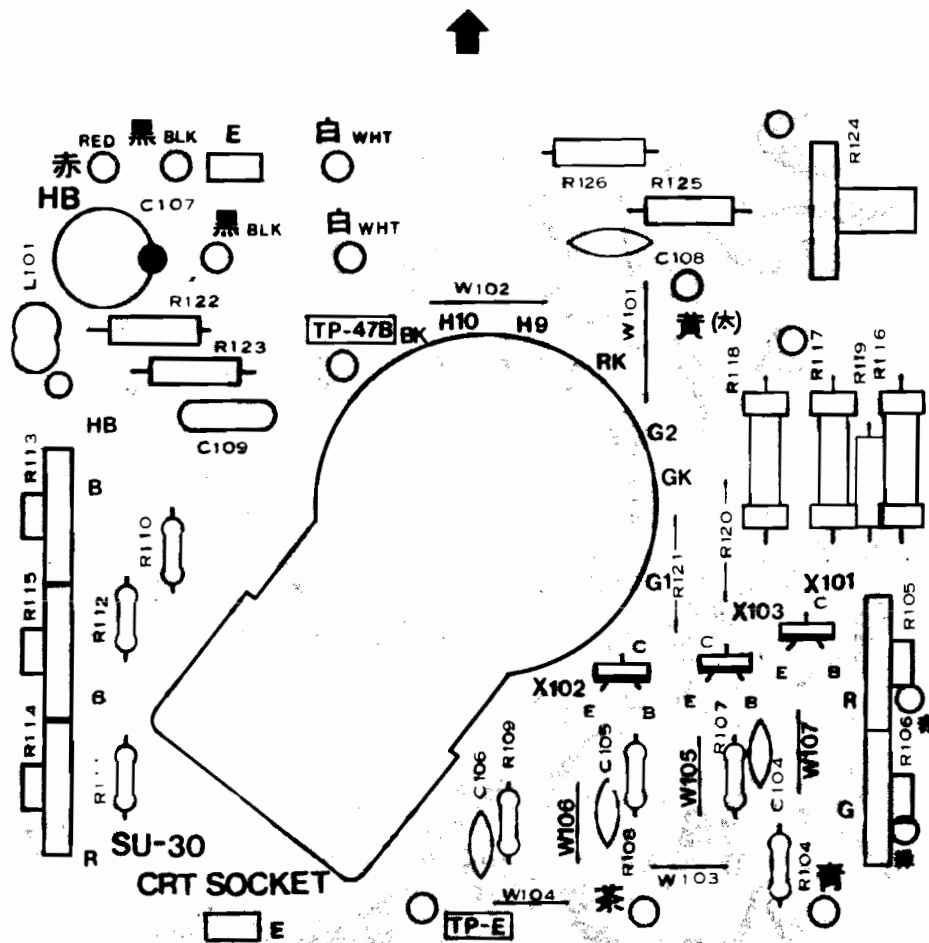
<u>Part No.</u>	<u>Description</u>	<u>Ref. Des.</u>
482-0111	Si transistor, 2SA673(C)	X104
482-0177	Si transistor, 2SC1685(R)	X105
482-0111	Si transistor, 2SA673(C)	X106
482-0177	Si transistor, 2SC1685(R)	X301
482-0177	Si transistor, 2SC1685(R)	X302
482-0111	Si transistor, 2SA673(C)	X303
482-0177	Si transistor, 2SC1685(R)	X304
482-0177	Si transistor, 2SC1685(R)	X305
482-0196	Si transistor, 2SD478	X401
482-0196	Si transistor, 2SD478	X402
482-0291	Si transistor, 2SC2610BK	X501
482-0257	Si transistor, 2SC2688 (KLM)	X901
482-0258	Si transistor, 2SC1890A (EF)	X902
481-0226	Si diode, W06A	D101
481-0226	Si diode, W06A	D102
481-0226	Si diode, W06A	D103
481-0149	Si diode, 1SZ473H	D301
481-0149	Si diode, 1SZ473H	D401
481-0227	Zener diode, RD10F(C)	D402
481-0171	Si diode, HF-1	D503
481-0228	Si diode, V09E	D504
481-0229	Zener diode, RD11E(B)	D505
481-0226	Si diode, W06A	D506
481-0230	Si diode, 1SS81	D507

<u>Part No.</u>	<u>Description</u>	<u>Ref. Des.</u>
481-0149	Si diode, 1SZ473H	D508
481-0231	Zener diode, RD20EV2	D701
481-0160	Si diode, 1S1887A	D901
481-0160	Si diode, 1S1887A	D902
481-0160	Si diode, 1S1887A	D903
481-0160	Si diode, 1S1887A	D904
481-0198	Zener diode, RD6.8EV3	D905
Miscellaneous		
	Fuse 1.25A	F901
	US fuse 3A	F902

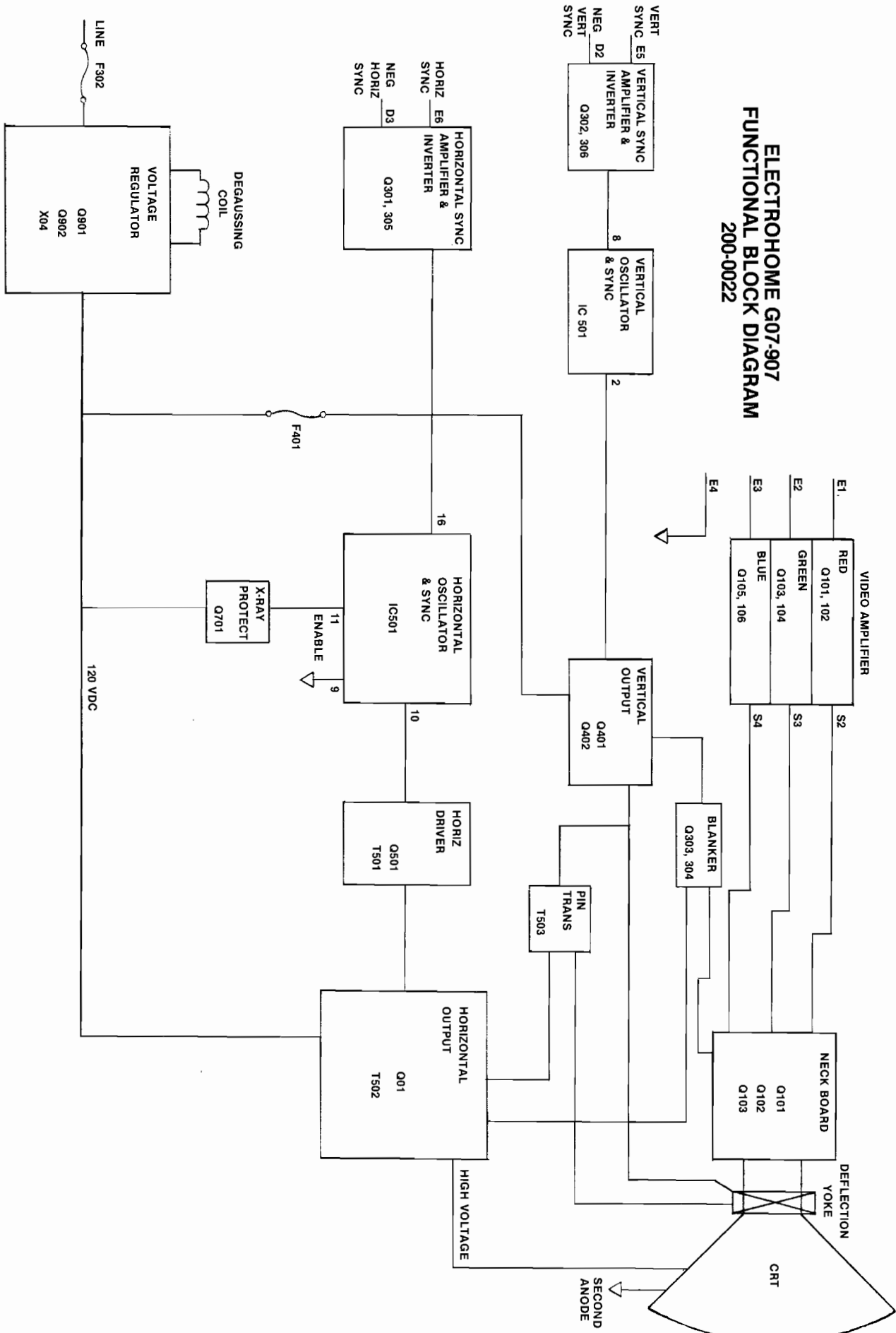
MAIN P.C.B. COMPONENT LAYOUT



C.R.T. P.C.B. COMPONENT LAYOUT



ELECTROHOME G07-907 FUNCTIONAL BLOCK DIAGRAM 200-0022



PCB ASSEMBLY

<u>Part No.</u>	<u>Description</u>	<u>Ref. Des.</u>
Resistors	R carbon 1/4 sb 680 Ohm	R101
	R carbon 1/4 sb 680 Ohm	R102
	R carbon 1/4 sb 2.2K Ohm	R103
	R carbon 1/4 sb 390 Ohm	R104
	R carbon 1/4 sb 2.2K Ohm	R105
	R carbon 1/4 sb 390 Ohm	R106
	R carbon 1/4 sb 1K Ohm	R107
	R carbon 1/4 sb 680 Ohm	R111
	R carbon 1/4 sb 680 Ohm	R112
	R carbon 1/4 sb 15K Ohm	R113
	R carbon 1/4 sb 390 Ohm	R114
	R carbon 1/4 sb 2.2K Ohm	R115
	R carbon 1/4 sb 390 Ohm	R116
	R carbon 1/4 sb 1K Ohm	R117
	R carbon 1/4 sb 680 Ohm	R121
	R carbon 1/4 sb 680 Ohm	R122
	R carbon 1/4 sb 390 Ohm	R124
	R carbon 1/4 sb 2.2K Ohm	R125
	R carbon 1/4 sb 390 Ohm	R126
	R carbon 1/4 sb 1K Ohm	R127
	R carbon 1/4 sb 10K Ohm	R401
	R carbon 1/4 sb 8.2K Ohm	R402

<u>Part No.</u>	<u>Description</u>	<u>Ref. Des.</u>
	R carbon 1/4 sb 3.3K Ohm	R403
	R carbon 1/4 sb 8.2K Ohm	R404
	R carbon 1/2 sb 270 Ohm	R405
	R carbon 1/4 sb 10K Ohm	R406
	R carbon 1/4 sb 680 Ohm	R407
	R carbon 1/4 sb 2.2K Ohm	R408
	R carbon 1/4 sb 12K Ohm	R409
	R carbon 1/4 sb 10K Ohm	R410
	R fuseble fmr1/4w 100 Ohm	R413
	R carbon 1/4 sb 2.2K Ohm	R414
	R metal 10K Ohm	R415
	R fuseble FMRL/4C 220hm	R416
	R cement RGB10H(V) 220 Ohm	R417
	R metal 4.7K Ohm	R418
	R carbon 1/2 sb 2.2K Ohm	R419
	R carbon 1/4 sb 68K Ohm	R421
	R carbon 1/4 sb 6.8 Ohm	R422
	R carbon 1/4 sb 470 Ohm	R423
	R fuseble FMR1/4W	R424
	R carbon 1/2 sb 390 Ohm	R425
	R carbon 1/4 sb 6.8K Ohm	R426
	R fuseble FMR1/2W 1.2 Ohm	R427
	R fuseble FMR2W 1.2 Ohm	R428
	R carbon 1/4 sb 330 Ohm	R501

<u>Part No.</u>	<u>Description</u>	<u>Ref. Des.</u>
	R carbon 1/4 sb 10K 0hm	R502
	R carbon 1/4 sb 10K 0hm	R504
	R carbon 1/4 sb 27K 0hm	R505
	R carbon 1/4 sb 390K 0hm	R506
	R carbon 1/4 sb 18K 0hm	R507
	R carbon 1/4 sb 68K 0hm	R508
	R carbon 1/4 sb 6.8K 0hm	R509
	R carbon 1/4 sb 10K 0hm	R510
	R carbon 1/4 sb 1.2K 0hm	R511
	R carbon 1/4 sb 470 0hm	R512
	R metal RNL1/4 3.3K 0hm	R513
	R metal RNL1/4 560K 0hm	R514
	R metal 6.8K 0hm	R515
	R carbon 1/2 sb 8.2K 0hm	R516
	R metal 3.3K 0hm	R517
	R carbon 1/4 sb 8.2K 0hm	R518
	R carbon 1/2 sb 4.7K 0hm	R519
	R carbon 1/2 sb 33 0hm	R520
	R carbon 1/4 sb 10K 0hm	R521
	R fuseble FMR1/4W 330 0hm	R522
	R fuseble FMR1/4W 330 0hm	R523
	R fuseble FMR1/4W 330 0hm	R524
	R fuseble FMR1/2W 4.7 0hm	R525
	R carbon 1/4 sb 22K 0hm	R527

<u>Part No.</u>	<u>Description</u>	<u>Ref. Des.</u>
	C polypro UL LHX125VAC 0.1uf	C901
	C ceramic MVDE0807E222ZAC250V	C902
	C ceramic MVDE0807E222ZAC250V	C903
	C ceramic DD09-63B 22K 500V	C904
	C electro RPE 180V (30 ϕ) 680 (M)	C905
	C electro CE04 160V 22 (M)	C906
	C ceramic DD05-63B 221K 500V	C907
Coils		
180-0033	L choke	L401
181-0034	L choke	L501
180-0032	L choke	L502
181-0033	L linear	L503
181-0032	L size	L504
180-0031	L choke	L505
180-0030	L choke	L506
180-0029	L choke	L507
180-0028	L choke	L901
180-0027	L choke	L902
180-0026	L choke	L903
Transformers		
560-0102	T H drive	T501
560-0101	T pin corr	T502
560-0100	T FBT MSH1FAC02	T503

<u>Part No.</u>	<u>Description</u>	<u>Ref. Des.</u>
Diodes		
481-0164	Diode 1S1588	D101
481-0164	Diode 1S1588	D102
481-0164	Diode 1S1588	D103
481-0164	Diode 1S1588	D104
481-0164	Diode 1S1588	D105
481-0164	Diode 1S1588	D106
481-0164	Diode 1S1588	D401
481-0234	Diode 1S1886	D402
481-0175	Diode 1S2076A	D403
481-0119	Diode RU2	D404
481-0233	Diode EQA01-24	D405
481-0164	Diode 1S1588	D501
481-0137	D zener EQA01-07S	D502
481-0164	Diode 1S1588	D504
481-0175	Diode 1S2076A	D505
481-0175	Diode 1S2067A	D506
481-0119	Diode RU2	D507
481-0232	Diode S5295G	D508
481-0164	Diode 1S1588	D509
481-0232	Diode S5295G	D510
481-0164	Diode 1S1588	D511
481-0137	Diode EQA01-07S	D512
481-0235	D bridge 3D4B41	D901

<u>Part No.</u>	<u>Description</u>	<u>Ref. Des.</u>
481-0119	Diode RU2	D902
481-0137	D zener EQA01-07S	D904
481-0137	D zener EQA01-07S	D905
Transistors		
482-0261	Transistor 2SC1740	Q101
482-0261	Transistor 2SC1740	Q102
482-0261	Transistor 2SC1740	Q103
482-0261	Transistor 2SC1740	Q104
482-0261	Transistor 2SC1740	Q105
482-0261	Transistor 2SC1740	Q106
482-0111	Transistor 2SA673	Q107
Miscellaneous		
	Connector	CN201
	Connector	CN202
	Connector	CN203
	Assy accord	CD901
	Connector	CN901
510-0068	Switch SSA042	SW1
510-0068	Switch SSA042	SW2
	Pin terminal	TP1
	Pin terminal	TP2
	Pin terminal	TP3
	Pin terminal	TP4

<u>Part No.</u>	<u>Description</u>	<u>Ref. Des.</u>
	R carbon 1/4 sb 22K Ohm	R528
	R carbon 1/4 sb 680 Ohm	R529
	R carbon 1/4 sb 4.7K Ohm	R530
	R carbon 1/4 sb 470 Ohm	R531
	R carbon 1/4 sb 680 Ohm	R532
	R carbon 1/4 sb 47 Ohm	R533
	R fuseble FMR1/4W 330 Ohm	R901
	R carbon 1/4 sb 47K Ohm	R902
	R fuseble FMR1/4W 68 Ohm	R903
	R metal 15K Ohm	R904
	R carbon 1/4 sb 1M Ohm	R905
	R carbon 1/4 sb 15K Ohm	R906
	R carbon 1/4 sb 68K Ohm	R907
	R carbon 1/4 sb 68K Ohm	R908
	R carbon 1/4 sb 4.7K Ohm	R909
	R variable V8K4-1 5K Ohm	RV101
	R variable V8K4-1 5K Ohm	RV102
	R variable V8K4-1 5K Ohm	RV103
	R variable V8K4-1 5K Ohm	RV104
	R variable RVA0911H320-7-502M	RV404
	R variable RVG0911H320-7-303M	RV402
	R variable RVA0911H320-7-501M	RV403
	R variable RVA0911H320-7-302M	RV501
	R variable RVG0911H320-7-303M	RV502
	R variable RVG0911H320-7-303M	RV503

<u>Part No.</u>	<u>Description</u>	<u>Ref. Des.</u>
	R semifixed V8K4-1 3K 0hm	R910
Capacitors		
	C electro CE04 16V100(M)	C101
	C electro CE04 50V 1(M)	C401
	C polyester DEP50V 333K	C402
	C polyester DEP50V 333K	C403
	C tanta1 D 16V 2.2 uf K	C404
	C ceramic DD104-63B561K50V	C405
	C electro CE04 16V 470 (M)	C406
	C electro CE04 25V 10(M)	C407
	C tanta1 D 25 10 uf K	C408
	C electro CE04 100V 10 (M)	C409
	C electro CE04 50V 1 (M)	C410
	C electro CE04 35V 220 (M)	C411
	C electro CE04 63V 470 (M)	C412
	C electro CE04 16V 470 (M)	C413
	C electro CE04 25V 10 (M)	C414
	C ceramic DD09-63B222K500V	C415
	C electro CE04 100V 10 (M)	C416
	C electro CE04 35V 220 (M)	C417
	C electro CE04 160V 22 (M)	C418
	C ceramic DD09-63B222K500V	C419
	C electro CE04 25V 10 (M)	C501

<u>Part No.</u>	<u>Description</u>	<u>Ref. Des.</u>
	C electro CE04 25V 10 (M)	C502
	C electro CE04 50V 1 (M)	C503
	C ceramic DD105-63E222P50V	C504
	C electro CE04 50V 1 (M)	C505
	C polyester DEP50V 473K	C506
	C polyester DEP 50V 473K	C507
	C polypro DTW100V 562-G	C508
	C electro CE04 50V 1 (M)	C510
	C electro CE04 16V 220 (M)	C511
	C ceramic DD05-63B561K500V	C512
	C ceramic DD10 63E472P500V	C513
	C ceramic DE1510R 222K	C514
	C ceramic DE1510R 222K	C515
	C ceramic DE1410R 182K	C516
	C ceramic DE1110R 821 K	C517
	C ceramic DD104-63B821K 50V	C518
	C polipro DTW200VDC 0.47uf M	C520
	C electro CE04 50V 47 (M)	C523
	C electro CE04 160V 47 (M)	C524
	C ceramic DD09-63B222K500V	C525
	C electro CE04 160V 1 (M)	C526
	C electro CE04 160V 10 (M)	C527
	C poripro DTW630VDC 0.01uf - M	C528
	C electro CE04 25V 10 (M)	C529

<u>Part No.</u>	<u>Description</u>	<u>Ref. Des.</u>
Transistors		
482-0276	Transistor 2SD1138	Q401
482-0276	Transistor 2SD1138	Q402
482-0261	Transistor 2SC1740	Q501
482-0257	Transistor 2SC2688	Q502
482-0198	Transistor 2SD870	Q503
482-0201	Transistor 2SD763	Q504
482-0201	Transistor 2SD763	Q505
882-0111	Transistor 2SA673	Q506
482-0111	Transistor 2SA673	Q507
	Transistor 2SC2555	Q901
482-0273	Transistor 2SA1091	Q902
482-0167	Transistor 2SC2482	Q903
882-0167	Transistor 2SC2482	Q904
Miscellaneous		
313-0051	I C HA11235	IC401
	Connector	CN101
	Connector	CN102
	Fuse	F901
	Fuse clip	CF901
	Fuse	
	Fuse clip	
	Shield case	
560-0098	Assy tr (v-out)	

<u>Part No.</u>	<u>Description</u>	<u>Ref. Des.</u>
560-0099	Assy tr (h-out)	
800-3256	Assy radiator A	

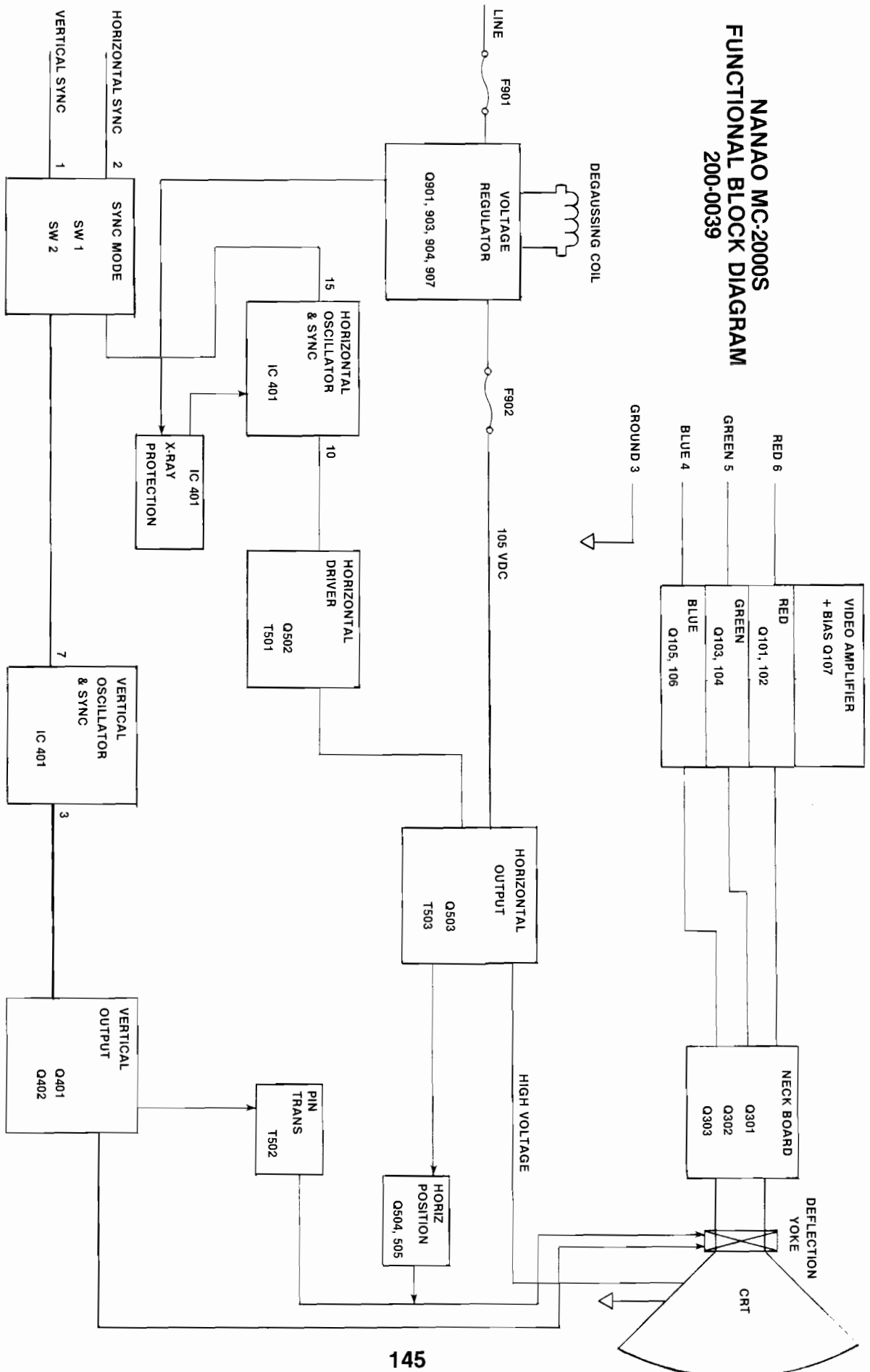
NECK BOARD PCB

Resistors

R carbon 1/4 sb 220 Ohm	R301
R carbon 1/4 sb 220 Ohm	R302
R carbon 1/4 sb 220 Ohm	R303
R carbon 1/4 sb 1.2K Ohm	R304
R carbon 1/4 sb 1.2K Ohm	R305
R carbon 1/4 sb 1.2K Ohm	R306
R carbon 1/4 sb 330 Ohm	R307
R carbon 1/4 sb 330 Ohm	R308
R carbon 1/4 sb 330 Ohm	R309
R metal 8.2K Ohm	R310
R metal 8.2K Ohm	R311
R metal 8.2K Ohm	R312
R solid 1/2 2.2K Ohm	R313
R solid 1/2 2.2K Ohm	R314
R solid 1/2 2.2K Ohm	R315
R solid 1/2 1M Ohm	R316
R variable RVA0911H-306-1 5K Ohm	RV301
R variable RVA0911H-306-2 5K Ohm	RV302
R variable RVA0911H-306-3 5K Ohm	RV303
R variable RVA0911H-306-7 220 Ohm	RV304

<u>Part No.</u>	<u>Description</u>	<u>Ref. Des.</u>
	R variable RVA0911H-306-7 220 Ohm	RV305
Capacitors		
	C ceramic DD104-63B 271K 50V	C304
	C ceramic DD104-63B 271K 50V	C305
	C ceramic DD104-63B 271K 50V	C306
	C ceramic DE0705-B 102K 1KV	C309
Transistors		
482-0257	Transistor 2SC2688	Q301
482-0257	Transistor 2SC2688	Q302
482-0257	Transistor 2SC2688	Q303

NANA0 MC-2000S FUNCTIONAL BLOCK DIAGRAM 200-0039



MAIN BOARD

<u>ITEM NO.</u>	<u>PART NO.</u>	<u>DESCRIPTION</u>	<u>REF. DESG.</u>
CAPACITORS			
1		1000 uF, 16V, Electrolytic	C201
2		330 pF, 500V, Ceramic	C202
3		220 pF, 500V, Ceramic	C203
4		220 pF, 500V, Ceramic	C204
5		470 uF, 16V, Electrolytic	C205
6		0.1 uF, 125V Mylar	C206
7		.022 uF, 100V Mylar	C207
8		330 uF, 50V Electrolytic	C301
9		0.033 uF, 50V Mylar	C302
10		3.3 uF, 50V Electrolytic	C303
11		0.068 pF, 50V Mylar	C304
12		2.2 uF, 16V Tantal	C306
13		0.033 uF, 50V Mylar	C307
14		3.3 uF, 50V Electrolytic	C308
15		0.068 uF, 100V PP	C309
16		10 uF, 100V Electrolytic	C310
17		10 uF, 160V Electrolytic	C311
18		1000 pF, 500V Ceramic	C312
19		47 uF, 160V Electrolytic	C313
20		0.033 uF, 200V PP	C314
21		1 uF, 50V Electrolytic	C315
22		1 uF, 50V Electrolytic	C351
23		47 uF, 25V Electrolytic	C352

MAIN BOARD

<u>ITEM NO.</u>	<u>PART NO.</u>	<u>DESCRIPTION</u>	<u>REF. DESG.</u>
CAPACITORS			
24		0.0082 pF, 50V Mylar-PP	C353
25		47 uF, 25V Electrolytic	C354
26		0.0068 pF, 50V Mylar	C355
27		0.01 uF, 500V Ceramic	C356
28		100 pF, 500V Ceramic	C359
29		0.0033 pF, 500V Ceramic	C360
30		0.01 uF, 500V Ceramic	C361
31		0.01 uF, 50V Ceramic	C362
32		8700 pF, 1.5 KV PP	C363
33		0.33 uF, 200V PP	C365
34	150-0074	22 uF, 25V Electrolytic	C366
35		6 uF, 500V Ceramic	C367
36		0.01 uF, 50V Ceramic	C368
37		0.1 uF, 100V PP	C372
38		470 uF, 500V Ceramic	C380
39		0.1 uF, 125V Mylar	C501
40		1500 pF, 500V Ceramic	C502
41		2200 pF, 125V Ceramic	C503
42		2200 pF, 125V Ceramic	C504
43		560 uF, 200V Electrolytic	C505
44		22 uF, 160V Electrolytic	C506
45		47 uF, 160V Electrolytic	C507
46		1000 uF, 25V Electrolytic	C701

MAIN BOARD

<u>ITEM NO.</u>	<u>PART NO.</u>	<u>DESCRIPTION</u>	<u>REF. DESG.</u>
		CAPACITORS	
47		10 uF, 100V Electrolytic	C702
48		1000 pF, 500V Ceramic	C703

MAIN BOARD

<u>ITEM NO.</u>	<u>PART NO.</u>	<u>DESCRIPTION</u>	<u>REF. DESG.</u>
RESISTORS			
1		1K Ohm, 5%, 1/4W Carbon	R201
2		30 Ohm, 5%, 1/4W Carbon	R202
3		100 Ohm, 5%, 1/4W Carbon	R203
4		100 Ohm, 5%, 1/2W Carbon	R204
5		270 Ohm, 5%, 1/2W Carbon	R205
6		390 Ohm, 5%, 1/4W Carbon	R206
7		200 Ohm, 5%, 1/4W Carbon	R207
8		390 Ohm, 5%, 1/4W Carbon	R208
9		200 Ohm, 5%, 1/4W Carbon	R209
10		390 Ohm, 5%, 1/4W Carbon	R210
11		200 Ohm, 5%, 1/4W Carbon	R211
12		1K Ohm, 5%, 1/4W Carbon	R214
13		100K Ohm, 5%, 1/4W Carbon	R215
14		1K Ohm, 5%, 1/4W Carbon	R216
15		100 Ohm, 5%, 1/4W Carbon	R217
16		1K Ohm, 5%, 1/4W Carbon	R218
17		100K Ohm, 5%, 1/4W Carbon	R219
18		1K Ohm, 5%, 1/4W Carbon	R220
19		100 Ohm, 5%, 1/4W Carbon	R221
20		3.3 Ohm, 5%, 1/4W Carbon	R222
21		10 Ohm, 5%, 1/4W Carbon	R224
22		10 Ohm, 5%, 1/4W Carbon	R225
23		10 Ohm, 5%, 1/4W Carbon	R226
24		47K Ohm, 5%, 1/4W Carbon	R227

MAIN BOARD

<u>ITEM NO.</u>	<u>PART NO.</u>	<u>DESCRIPTION</u>	<u>REF. DESG.</u>
RESISTORS			
25		1K Ohm, 5%, 1/4W Carbon	R228
26		270 Ohm, 5%, 1/2W Carbon	R229
27		8.2K Ohm, 5%, 1/2W Comp.	R230
28		8.2K Ohm, 5%, 1/2W Comp.	R231
29		8.2K Ohm, 5%, 1/2W Comp.	R232
30		180 Ohm, 5%, 1/4W Carbon	R233
31		82 Ohm, 5%, 1/4W Carbon	R234
32		82 Ohm, 5%, 1/4W Carbon	R235
33		82 Ohm, 5%, 1/4W Carbon	R236
34		270 Ohm, 5%, 1/4W Carbon	R301
35		8.2K Ohm, 5%, 1/4W Carbon	R302
36		8.2K Ohm, 5%, 1/4W Carbon	R303
37		2.2K Ohm, 5%, 1/4W Carbon	R304
38		6.8K Ohm, 5%, 1/4W Carbon	R305
39		7.5K Ohm, 2%, 1/4W Carbon	R306
40		5.6K Ohm, 5%, 1/4W Carbon	R307
41		22K Ohm, 5%, 1/4W Carbon	R309
42		39K Ohm, 5%, 1/4W Carbon	R310
43		3.3K Ohm, 5%, 1/4W Carbon	R311
44		4.7K Ohm, 5%, 1/4W Carbon	R312
45		1K Ohm, 5%, 5W Carbon	R313
46		220 Ohm, 5%, 1/4W Carbon	R314
47		10 Ohm, 5%, 1/4W Carbon	R315

MAIN BOARD

<u>ITEM NO.</u>	<u>PART NO.</u>	<u>DESCRIPTION</u>	<u>REF. DESG.</u>
RESISTORS			
48		3.3K Ohm, 5%, 1/4W Carbon	R316
49		12 Ohm, 5%, 1/2W Carbon	R317
50		390 Ohm, 5%, 1/4W Carbon	R318
51		1K Ohm, 5%, 1/4W Carbon	R319
52		33K Ohm, 5%, 1/4W Carbon	R320
53		270K Ohm, 5%, 1/2W Carbon	R321
54		10K Ohm, 5%, 1/4W Carbon	R322
55		10K Ohm, 5%, 1/4W Carbon	R351
56		3.9K Ohm, 5%, 1/4W Carbon	R352
57		68K Ohm, 5%, 1/4W Carbon	R353
58		3.3K Ohm, 5%, 1/4W Carbon	R354
59		6.8K Ohm, 5%, 3W Metal Oxide	R355
60		56K Ohm, 5%, 1/2W Carbon	R358
61		470 Ohm, 5%, 1/4W Carbon	R360
62		10K Ohm, 5%, 1/4W Carbon	R361
63		1.8K Ohm, 5%, 1W Metal Oxide	R362
64		3.9K Ohm, 5%, 7W Metal Oxide	R363
65		22 Ohm, 5%, 1/4W Carbon	R364
66		33K Ohm, 5%, 1/4W Carbon	R365
67		10K Ohm, 5%, 1/4W Carbon	R367
68		330K Ohm, 5%, 1/2W Comp.	R368
69		680K Ohm, 5%, 1/2W Comp.	R369
70		33K Ohm, 5%, 1/4W Carbon	R370

MAIN BOARD

<u>ITEM NO.</u>	<u>PART NO.</u>	<u>DESCRIPTION</u>	<u>REF. DESG.</u>
RESISTORS			
71		1K Ohm, 5%, 1W Metal Oxide	R371
72		12K Ohm, 5%, 1W Metal Oxide	R372
73		6.8K Ohm, 5%, 1/2W Carbon	R375
74		270 Ohm, 5%, 2W Metal Oxide	R376
75		150 Ohm, 5%, 1/4W Carbon	R377
76		10K Ohm, 5%, 1/4W Carbon	R378
77		10K Ohm, 5%, 1/4W Carbon	R379
78		8.2K Ohm, 5%, 1/4W Carbon	R380
79		2.2K Ohm, 5%, 1W Metal Oxide	R381
80		150 Ohm, 5%, 1W Metal Oxide	R383
81		10K Ohm, 5%, 1/4W Carbon	R502
82		150 Ohm, 5%, 15W Metal Oxide	R503
83		47 Ohm, 5%, 1W Metal Oxide	R504
84		2.2K Ohm, 5%, 1/4W Carbon	R505
85		15 Ohm, 5%, 2W Metal Oxide	R506
86		330K Ohm, 5%, 1/2W Comp.	R507
87		3.3 Ohm, 5%, 10W WW	R601
88		2.2 Ohm, 5%, 2W Metal Oxide	R701
89		2.2 Ohm, 5%, 1/2W Carbon	R702
90		2K Ohm-B Semi-Fixed	VR201
91		5K Ohm-B Semi-Fixed	VR301
92		500 Ohm-B Semi-Fixed	VR303
93		2K Ohm-B Semi-Fixed	VR351
94		2K Ohm-B Semi-Fixed	VR352

MAIN BOARD

<u>ITEM NO.</u>	<u>PART NO.</u>	<u>DESCRIPTION</u>	<u>REF. DESG.</u>
SEMICONDUCTORS			
1	481-0175	Diode, IS2076-27	D203
2	481-0175	Diode, IS2076-27	D204
3	481-0175	Diode, IS2076-27	D205
4	481-0175	Diode, IS2076-27	D206
5	481-0175	Diode, IS2076-27	D207
6	481-0175	Diode, IS2076-27	D208
7	481-0175	Diode, IS2076-27	D209
8	481-0219	Diode, ISS81	D301
9	481-0175	Diode, IS2076-27	D302
10	481-0175	Diode, IS2076-27	D303
11	418-0244	Diode, RH-IV	D304
12	481-0244	Diode, RH-IV	D305
13	481-0175	Diode, IS2076-27	D306
14	481-0245	Diode, RM-1AV	D501
15	481-0245	Diode, RM-1AV	D502
16	481-0245	Diode, RM-1AV	D503
17	481-0245	Diode, RM-1AV	D504
18	481-0245	Diode, RM-1AV	D505
19	481-0245	Diode, RM-1AV	D506
20	481-0217	Diode, RU-2V	D701
21	481-0244	Diode, RH-1V	D702
22	482-0160	Transistor (NPN) 2SC1815GR	Q201
23	482-0160	Transistor (NPN) 2SC1815GR	Q202

MAIN BOARD

<u>ITEM NO.</u>	<u>PART NO.</u>	<u>DESCRIPTION</u>	<u>REF. DESG.</u>
SEMICONDUCTORS			
24	482-0301	Transistor (PNP) 2SA562-Y-TM	Q203
25	482-0301	Transistor (PNP) 2SA562-Y-TM	Q204
26	482-0301	Transistor (PNP) 2SA562-Y-TM	Q205
27	482-0160	Transistor (NPN) 2SC1815GR	Q206
28	482-0160	Transistor (NPN) 2SC1815GR	Q207
29	482-0160	Transistor (NPN) 2SC1815GR	Q208
30	482-0302	Transistor (NPN) 2SC1851GR	Q209
31	482-0302	Transistor (NPN) 2SC1851GR	Q210
32	482-0302	Transistor (NPN) 2SC1851GR	Q301
33	482-0161	Transistor (NPN) 2SC2073LBGL2	Q302
34	482-0161	Transistor (NPN) 2SC2073LBGL2	Q303
35	482-0303	Transistor (NPN) 2SC2482BK	Q351
36	482-0202	Transistor (NPN) 2SD898B	Q352
37	313-0132	IC HA11423	IC301
38	313-0129	IC STR381	IC501

MAIN BOARD

<u>ITEM NO.</u>	<u>PART NO.</u>	<u>DESCRIPTION</u>	<u>REF. DESG.</u>
		TRANSFORMERS & COILS	
1	181-0035	Coil, (RF Choke)	L351
2	181-0036	Coil, Horiz., Size	L352
3	181-0037	Coil, Adg.	L701
4	560-0121	Transformer, Hor. Drive	T351
5	560-0122	HV-Unit M-11	T352

<u>ITEM NO.</u>	<u>PART NO.</u>	<u>DESCRIPTION</u>	<u>REF. DESG.</u>
MAIN BOARD			
MISCELLANEOUS			
1		Fuse, 4 Amp. 125V	F501
2		Recap W Wire 3P-M-BG	J402
3		Plug, PWB 3P-J	P201
4		Plug, PWB 6P-Q	P202
5		Plug, PWB 4P-B	P401
6		Plug, PWB 2P-B	P501
7		Plug, PWB 4P-C	P601
8	478-0012	Thermistor	TH501

MAIN BOARD

<u>ITEM NO.</u>	<u>PART NO.</u>	<u>DESCRIPTION</u>	<u>REF. DESG.</u>
-----------------	-----------------	--------------------	-------------------

FINAL ASSEMBLY

1	200-0093	19VLTP22 Pix Tube	
2	834-5030	Lateral/Purity Assembly	
3	200-0092	Yoke Deflection	
4	834-5031	CRT Socket	
5	181-0038	Automatic Degaussing Coil Unit	

NECK BOARD

<u>ITEM NO.</u>	<u>PART NO.</u>	<u>DESCRIPTION</u>	<u>REF. DESG.</u>
RESISTORS			
1		220 Ohm, 5%, 1/4W Carbon	R401
2		390 Ohm, 5%, 1/4W Carbon	R402
3		820 Ohm, 5%, 1/4W Carbon	R403
4		220 Ohm, 5%, 1/4W Carbon	R404
5		390 Ohm, 5%, 1/4W Carbon	R405
6		820 Ohm, 5%, 1/4W Carbon	R406
7		470 Ohm, 5%, 1/4W Carbon	R407
8		270 Ohm, 5%, 1/4W Carbon	R408
9		820 Ohm, 5%, 1/4W Carbon	R409
10		15K Ohm, 5%, 2W M.O. Forming	R410
11		15K Ohm, 5%, 2W M.O. Forming	R411
12		15K Ohm, 5%, 2W M.O. Forming	R412
13		2.7K Ohm, 5%, 1/2W Comp.	R413
14		2.7K Ohm, 5%, 1/2W Comp.	R414
15		2.7K Ohm, 5%, 1/2W Comp.	R415
16		2.2 Ohm, 5%, 2W Metal Oxide	R416
17		2.7K Ohm, 5%, 1/4W Carbon	R419
18		2.7K Ohm, 5%, 1/4W Carbon	R420
19		2.7K Ohm, 5%, 1/4W Carbon	R421
20		500 Ohm, -B Semi-Fixed	VR401
21		500 Ohm, -B Semi-Fixed	VR402
22		5K Ohm, -B Semi-Fixed	VR403
23		5K Ohm, -B Semi-Fixed	VR404
24		5K Ohm, -B Semi-Fixed	VR405

NECK BOARD

<u>ITEM NO.</u>	<u>PART NO.</u>	<u>DESCRIPTION</u>	<u>REF. DESG.</u>
CAPACITORS			
1		1200 pF, 500V Ceramic	C401
2		1000 pF, 500V Ceramic	C402
3		1000 pF, 500V Ceramic	C403
4		1500 pF, 1.5KV Ceramic	C404
5		0.01 uF, 500V Ceramic	C405

NECK BOARD

<u>ITEM NO.</u>	<u>PART NO.</u>	<u>DESCRIPTION</u>	<u>REF. DESG.</u>
-----------------	-----------------	--------------------	-------------------

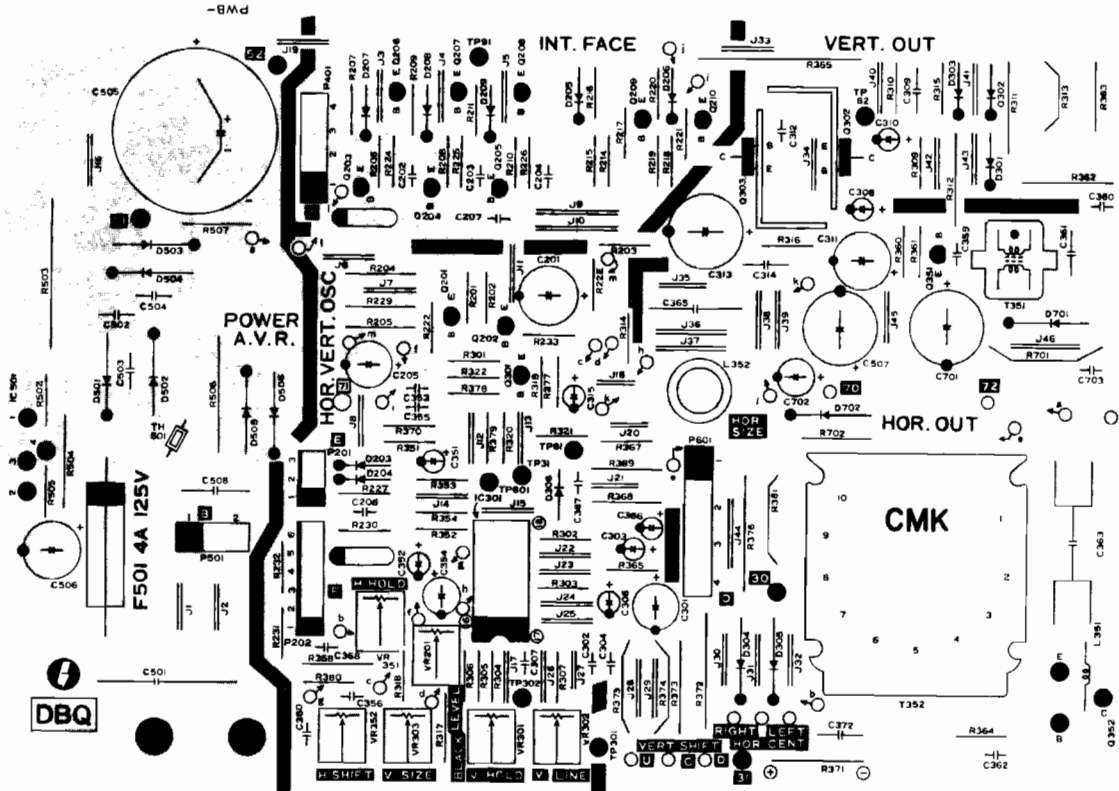
SEMICONDUCTORS

1	482-0304	Transistor (NPN) 2SC2068LB	Q401
2	482-0304	Transistor (NPN) 2SC2068LB	Q402
3	482-0304	Transistor (NPN) 2SC2068LB	Q403

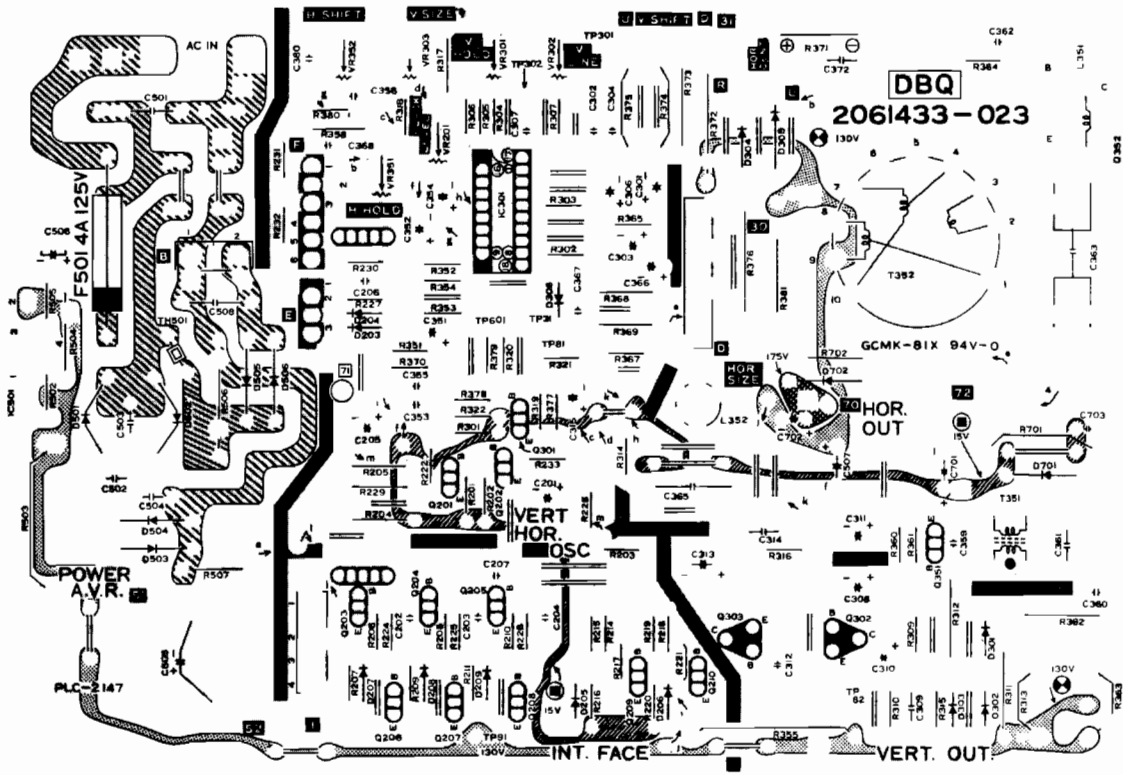
NECK BOARD

<u>ITEM NO.</u>	<u>PART NO.</u>	<u>DESCRIPTION</u>	<u>REF. DESG.</u>
MISCELLANEOUS			
1		RECEP W Wire 4P-E	J401
2		Plug, PWB 3P-A	P402
3		Plug, Pin 1P-D	P403
4		Plug, PWB 4P-E	P701

P.C. BOARD LAYOUT

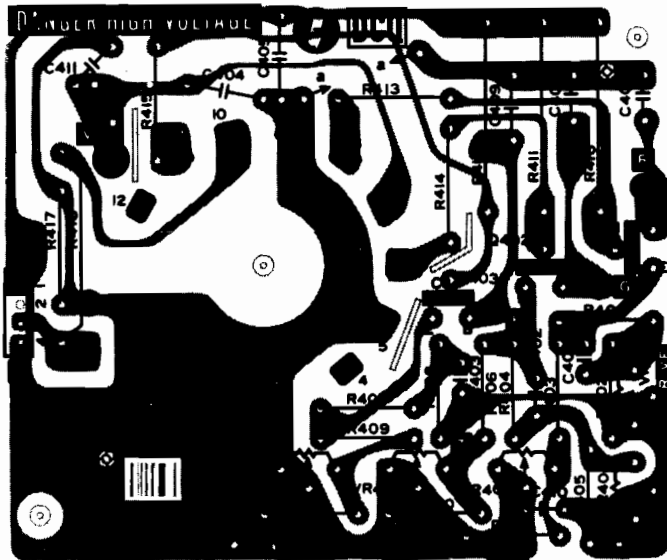


TOP VIEW

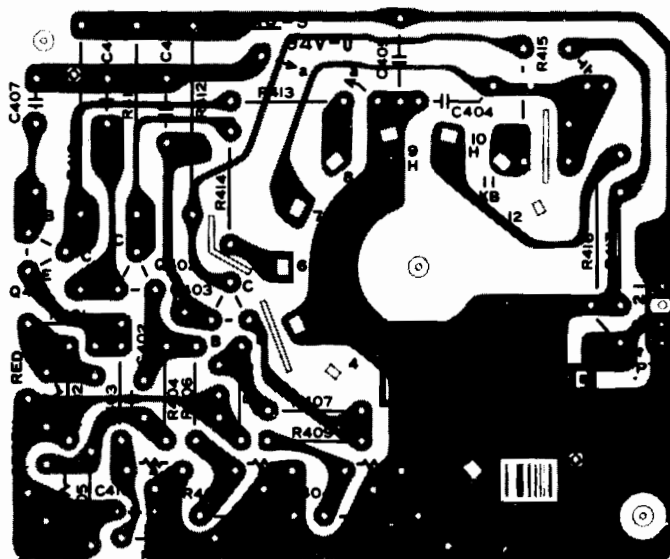


BOTTOM VIEW

P.C. BOARD LAYOUT



TOP VIEW



BOTTOM VIEW

FIGURE 12 NECK P.C. BOARD

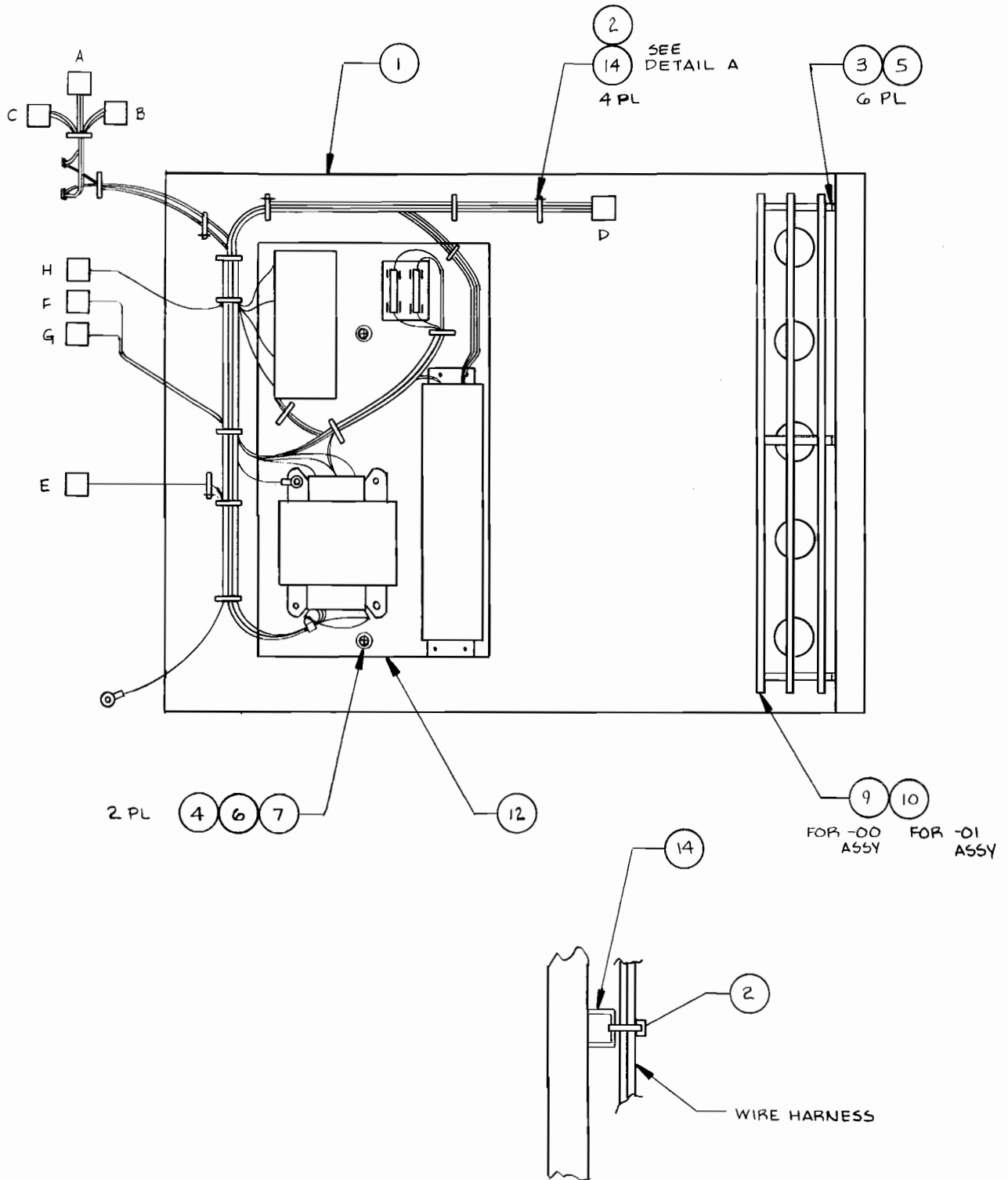
COMPONENT SHELF ASSEMBLY SUPER ZAXXON

DRAWING NUMBER 800-3297

<u>ITEM NO.</u>	<u>PART NO.</u>	<u>QTY. REQ'D</u>		<u>DESCRIPTION</u>
		<u>-00</u>	<u>-01</u>	
1	252-0209	1	1	Component Shelf No. 101
2	280-0005	4	4	Cable Tie
3	281-0042	6	6	SCR 6-28 X 1.00 Lg PNH Phil Type AB
4	281-0045	2	2	SCR 10-16 X 1.25 Lg PNH Phil Type AB
5	283-0060	6	6	Washer, Flt Std OD #6
6	283-0060	2	2	Washer, Flt Std OD #10
7	283-0061	2	2	Washer, Lock Split #10
8				
9	800-3299	1	-	Assembly, IC Board - Super Zaxxon 3 BD Type
10	800-3309	-	1	Assembly, IC Board - Super Zaxxon 3 BD Type
11				
12	800-0367	1	1	Assembly Power Supply
13				
14	280-0475	4	4	Staple

Component Shelf Assembly

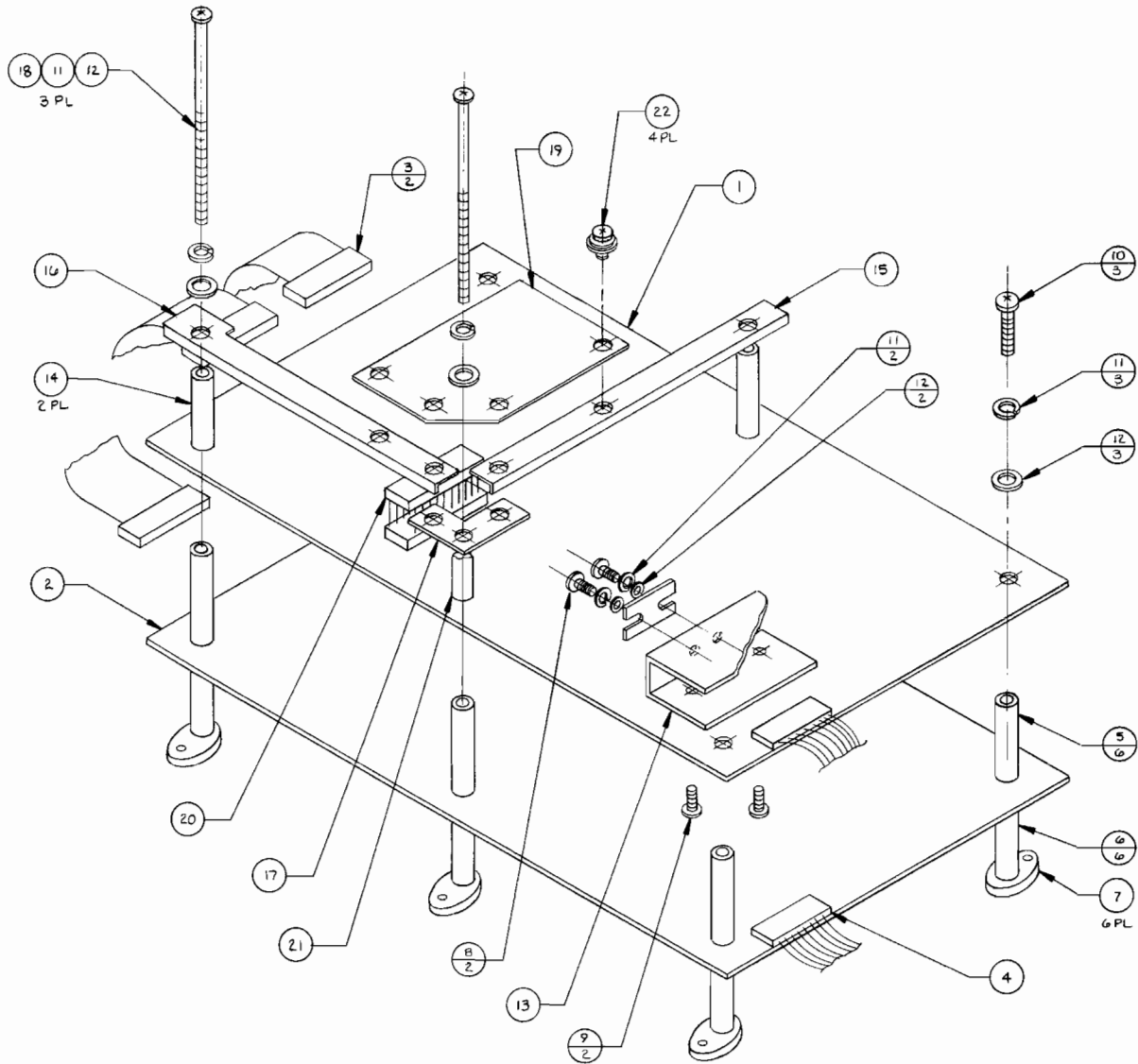
800-3297



GAME ELECTRONICS ASSEMBLY

DRAWING NUMBER 800-3299

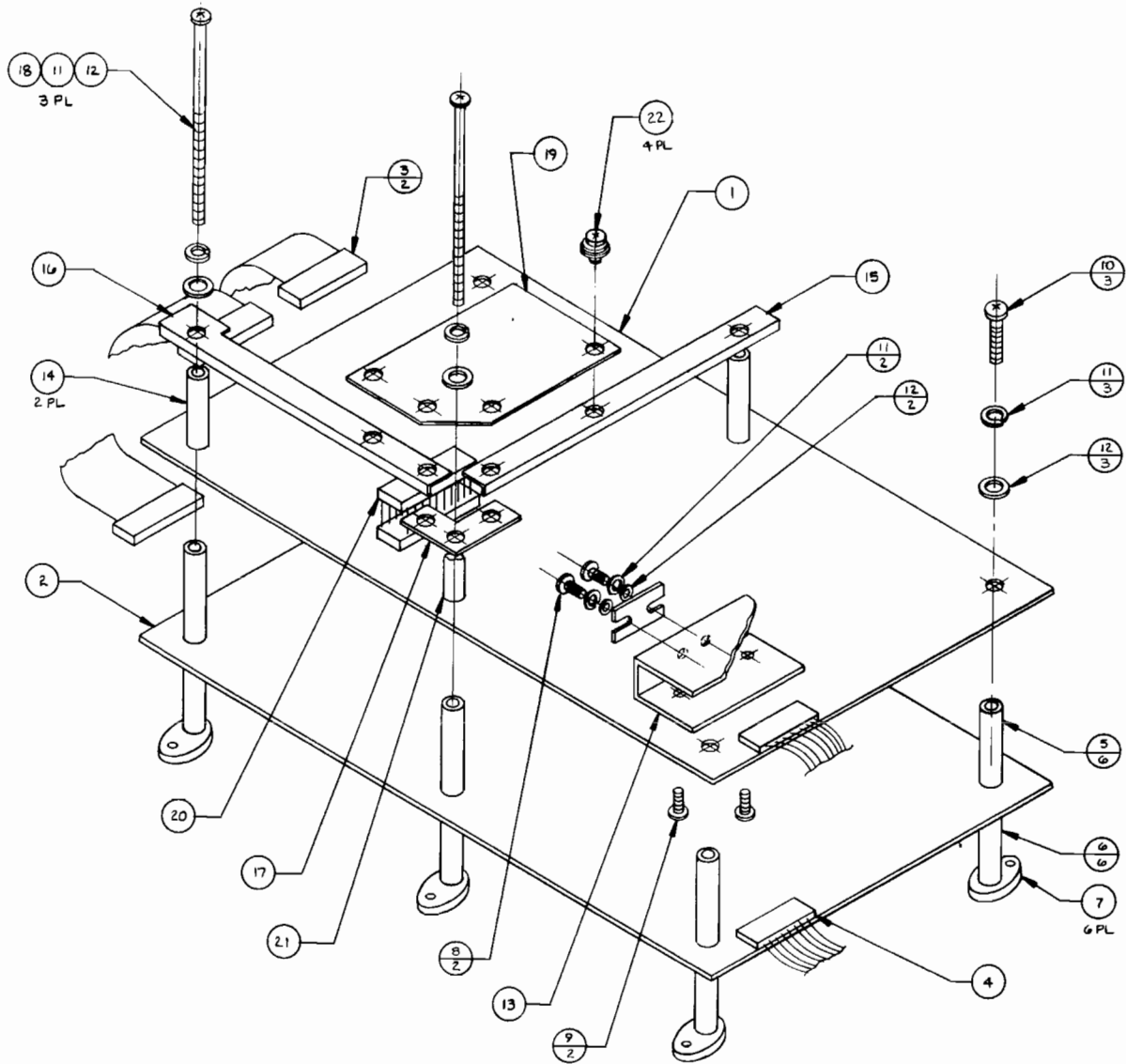
<u>ITEM NO.</u>	<u>PART NO.</u>	<u>QTY. REQ'D</u>	<u>DESCRIPTION</u>
1	800-3300	1	IC Board Assembly Super Zaxxon A
2	800-3301	1	IC Board Assembly Super Zaxxon B-2764
3	600-0114	2	Cable Flat and Plug Assembly 50P
4	834-0298	1	Harn Intf Connect
5	280-0436	6	Spacer X 15MM Lg
6	280-0479	6	Spacer X 6MM Lg
7	280-0372	6	PCB Mounting Foot
8	285-0002	2	SCR Metric M3 X 10 Pan Hd Phil
9	285-0002	2	SCR Metric M3 X 6 Pan Hd Phil
10	285-0002	3	SCR Metric M3 X 35 Pan Hd Phil
11	287-0060	8	M3 Lock Spring Washer
12	287-0061	8	M3 Flat Washer
13	287-0027	1	Heat Sink Zaxxon
14	280-0494	2	Spacer X 30 MM Lg
15	105-0338	1	Bracket A
16	105-0339	1	Bracket B
17	105-0340	1	Bracket C
18	285-0002	3	SCR Metric M3 X 65 Pan Hd Phil
19	834-5106	1	IC Board Assembly Sound
20	213-0014	1	Skt Wire Wrap 40 Pin
21	280-0493	1	Spacer X 28.4 MM Lg
22	280-0298	4	SCR Metric M3 X 8 Pan Hd Phil



GAME ELECTRONICS ASSEMBLY

DRAWING NUMBER 800-3309

<u>ITEM NO.</u>	<u>PART NO.</u>	<u>QTY. REQ'D</u>	<u>DESCRIPTION</u>
1	800-3300	1	IC Board Assembly Super Zaxxon A
2	800-3310	1	IC Board Assembly Super Zaxxon B-2564
3	600-0114	2	Cable Flat and Plug Assembly 50P
4	834-0298	1	Harness Intf Connect
5	280-0436	6	Spacer X 15 MM Lg
6	280-0479	6	Spacer X 6 MM Lg
7	280-0372	6	PCB Mounting Foot
8	285-0002	2	SCR Metric M3 X 10 Pan HD Phil
9	285-0002	2	SCR Metric M3 X 6 Pan HD Phil
10	285-0002	3	SCR Metric M3 X 35 Pan HD Phil
11	287-0060	8	M3 Lock Spring Washer
12	287-0061	8	M3 Flat Washer
13	530-0027	1	Heat Sink Zaxxon
14	280-0494	2	Spacer X 30 MM Lg
15	105-0338	1	Bracket A
16	105-0339	1	Bracket B
17	105-0340	1	Bracket C
18	285-0002	3	SCR Metric M3 X 65 Pan HD Phil
19	834-5106	1	IC Board Assembly Sound
20	213-0014	1	Skt Wire Wrap 40 Pin
21	280-0493	1	Spacer X 28.4 MM Lg
22	280-0298	4	SCR Metric M3 X 8 Pan HD Phil



<u>Item No.</u>	<u>Part No.</u>	<u>Qty. Req'd.</u>	<u>Description</u>	<u>Ref. Des.</u>
1	150-0227	1	Cap E 4.7 mf 35V	C84
2	150-009	12	Cap E 1 mf 50V	C14-C24,C44
3	150-0010	2	Cap E 100 mf 16V	C36,C37
4	150-0015	1	Cap E 22 mf 16V	C51
5	150-0023	6	Cap E 10 mf 16V	C47,C66,C67,C83,C106, C108
6	150-0100	13	Con 2.2 mf 50V elect	C28,C29,C32,C38,C41, C55,C59,C68,C69,C74, C76,C80,C93
7				
8	150-0160	8	Cap 470 mf 16V	C1-C6,C100,C101
9	150-0168	1	Cap 1000 mf 16V	C7
10	150-0185	3	Cap 47 mf 16V	C8,C9,C85
11	151-0002	3	Cap cer 100 pf 50V	C126-C128
12	151-0005	7	Cap cer 680 pf 50V	C33,C42,C52,C75,C77, C86,C94
13	151-0012	3	Cap cer .1 mf 50V	C65,C102,C103
14	151-0020	2	Cap cer 33 pf 50V	C130,C131
15	151-0043	3	Con 220 pf 50V cer	C129,C132,C135
16	151-0073	86	Cap cer .047 mf 25V	C104,C107,C109-C125, C133,C134,C136,C139- C202
17	152-0031	1	Con 0.1 mf 50V film	C97
18	152-0079	2	Cap .022 mf 50V	C50,C137
19	152-0033	12	Con .01 mf 50V film	C12,C26,C27,C45,C54, C58,C81,C82,C98,C99, C138,C105
20	152-0035	4	Con .033 mf 50V film	C10,C11,C70,C71

<u>Item No.</u>	<u>Part No.</u>	<u>Qty. Req'd.</u>	<u>Description</u>	<u>Ref. Des.</u>
21	152-0038	3	Con .047 mf 35/50V film	C72,C73,C88
22	152-0045	2	Con .0022 mf 50V film	C30,C31
23	152-0058	2	Cap .0033 mf 50V	C39,C40
24	152-0075	1	Cap 1000 pf 50V	C92
25	153-0026	1	Cap 22 mf 16V tant	C64
26	153-0030	2	Cap 6.8 mf 16V	C43,C79
27	153-0032	5	Cap 15 mf 16V	C13,C25,C48,C49,C91
28	153-0038	3	Cap 0.68 mf 16V	C34,C35,C89
29	153-0050	1	Cap 33 mf 16V	C46
30	153-0058	2	Cap 2.2 mf 16V	C61,C87
31	153-0066	3	Cap 10 mf 16V	C53,C95,C96
32	153-0065	4	Cap 3.3 mf 16V	C56,C57,C62,C90
33	153-0070	3	Cap 1 mf 16V tant	C60,C63,C78
34	171-0078	1	Printed bd 7 seg dispenser	
35	211-0168	4	Conn pin test pt	TP1,TP2,TP3,TP4
36	212-0098	1	Conn male 10 pin rt angle	P1
37	212-0133	2	Conn male 50 pin	P2,P3
38	212-0150	1	Conn male 6 pin	P4
39	213-0001	3	Skt 24 pin dual in line	UX29,UX68,UX69
40	213-0004	1	Skt 16 pin dual in line	UX72
41	213-0005	1	Skt. 40 pin dual in line	UX24

<u>Item No.</u>	<u>Part No.</u>	<u>Qty. Req'd.</u>	<u>Description</u>	<u>Ref. Des.</u>
42	213-008	1	Skt 20 pin DP dual in line	UX98
43	213-0012	2	Skt 28 pin dual in line	UX27,UX28
44	220-0218	1	Vol cont 20K Ohm sm-f	VR1
45	313-0022	1	IC LM/NE 556	U50
46	313-0034	10	IC LM 324 M/C	U3-U5,U8-U12,U19,U20
47	313-0084	4	IC MB 4391M	U13-U16
48	313-0097	1	IC LA4460	U1
49	313-0110	1	IC MB3761	U52
50	314-0001	3	IC NE555 DIP	U6,U7,U18
51	314-0016	4	IC 74123	U21,U22,U45,U46
52	314-0019	6	IC 74LS04	U25,U42,U44,U60,U94, U101
53	314-0030	1	IC 74393	U49
54	314-0031	1	IC 7426	U67
55	314-0051	1	IC 7417	U31
56	314-0055	3	IC 74LS244	U34,U39,U95
57	314-0056	1	IC 74LS132	U53
58	314-0058	1	IC 74LS08	U54
59	314-0059	1	IC 74LS10N	U84
60	314-0062	3	IC 74LS74	U51,U78,U89
61	314-0066	1	IC 74LS27	U99
62	314-0067	2	IC 74LS30	U61,U77
63	314-0068	3	IC 74LS32	U62,U63,U80

<u>Item No.</u>	<u>Part No.</u>	<u>Qty. Req'd.</u>	<u>Description</u>	<u>Ref. Des.</u>
64	314-0070	1	IC 74LS86	U93
65	314-0072	2	IC 74LS174	U96,U97
66	314-0073	6	IC 74LS175	U36,U40,U41,U65,U66, U83
67	314-0076	6	IC 74LS157	U48,U74-U76,U92,U100
68	314-0078	1	IC 74LS02	U79
69	314-0083	1	IC 74LS240	U88
70	314-0087	1	IC 74LS139	U32
71	314-0099	2	IC 74LS245	U43,U85
72	314-0102	4	IC 74LS367	U26,U35,U47,U64
73	314-0019	1	IC 74LS377	U73
74	314-0122	2	IC 74LS299	U90,U91
75	314-0143	2	IC 74LS259	U55,U56
76	314-0146	1	IC 7416	U30
77	314-0272	4	IC 74LS353	U81,U82,U86,U87
78	314-0104	4	IC 74LS138	U33,U57-U59
79	315-0033	1	IC CD4016	U17
80	315-0035	1	IC MM5837	U2
81	315-5013	1	IC Controller Chip MO 80	U24
82	315-0046	2	IC 2114/2114L RAM	U70,U71
83	315-0125	2	IC MB8128-15	U37,U38
84				
85	316-1815	1	IC 2716 EPR - 1468 ZAXXON	U68

ASSEMBLY IC BOARD A - SUPER ZAXXON

DRAWING NUMBER 800-3300

<u>Item No.</u>	<u>Part No.</u>	<u>Qty. Req'd.</u>	<u>Description</u>	<u>Ref. Des.</u>
86	316-1816	1	IC 2716 EPR - 1469 ZAXXON	U69
87	316-5168	1	IC TPB28L22PR - 1471 ZAXXON	U98
88	316-5167	1	IC TPB24S10PR - 1472 ZAXXON	U72
89	316-1804	1	IC 2564 EPR-1473 turbo mini type	U27
90	316-1803	1	IC 2564 EPR-1474 turbo mini type	U28
91	316-1802	1	IC 2532 EPR-1475 turbo mini type	U29
92	470-0101	19	Res 100 Ohm 1/4W 5%	R130,R232-246, R272-R274
93	470-0102	27	Res 1K Ohm 1/4W 5%	R1,R2,R28,R31,R57, R103,R106,R108,R170, R171,R207,R217,R227, R254,R257,R265-R267, R269-R271,R275-R280
94	470-0103	21	Res 10K Ohm 1/4W 5%	R7,R19,R20,R47,R55, R74,R75,R79,R89, R100,R101,R112,R128, R151,R152,R163,R209, R214,R216,R226,R231
95	470-0104	21	Res 100K Ohm 1/4W 5%	R9,R16,R24,R25,R38, R39,R43,R64,R73,R88, R91,R99,R111,R114, R118,R120,R127,R134, R135,R162,R229
96	470-0105	5	Res 1M Ohm 1/4W 5%	R109,R110,R146,R147, R164
97	470-0121	1	Res 120 Ohm 1/4W 5%	R169
98	470-0122	2	Res 1.2K Ohm 1/4W 5%	R261,R264
99	470-0123	3	Res 12K Ohm 1/4W 5%	R26,R40,R51

<u>Item No.</u>	<u>Part No.</u>	<u>Qty. Req'd.</u>	<u>Description</u>	<u>Ref. Des.</u>
100	470-0124	3	Res 120K Ohm 1/4W 5%	R67,R90,R223
101	470-0152	2	Res 1.5K Ohm 1/4W 5%	R4,R172
102	470-0153	11	Res 15K Ohm 1/4W 5%	R61,R62,R96,R113,R116, R119,R122,R131,R159, R174,R194
103	470-0154	3	Res 150K Ohm 1/4W 5%	R115,R121,R218
104	470-0183	1	Res 18K Ohm 1/4W 5%	R142
105	470-0203	1	Res 20K Ohm 1/4W 5%	R219
106	470-0204	2	Res 200K Ohm 1/4W 5%	R18,R46
107	470-0220	2	Res 22 Ohm 1/4W 5%	R258,R263
108	470-0221	7	Res 220 Ohm 1/4W 5%	R213,R215,R250,R252, R255,R259,R262
109	470-0222	13	Res 2.2K Ohm 1/4W 5%	R8,R10,R11,R22,R23, R36,R37,R71,R76,R85, R87,R97,R160
110	470-0223	6	Res 22K Ohm 1/4W 5%	R66,R141,R175,R177, R178,R180
111	470-0224	9	Res 220K Ohm 1/4W 5%	R29,R30,R32,R33,R59, R60,R81,R165,R222
112	470-0225	2	Res 2.2M Ohm 1/4W 5%	R80,R148
113	470-0272	1	Res 2.7K Ohm 1/4W 5%	R153
114	470-0273	1	Res 27K Ohm 1/4W 5%	R181
115	470-0274	1	Res 270K 1/4W 5%	R145
116	470-0303	3	Res 30K Ohm 1/4W 5%	R82,R92,R93
117	470-0331	2	Res 330 Ohm 1/4W 5%	R3,R126
118	470-0332	6	Res 3.3K Ohm 1/4W 5%	R27,R41,R50,R52,R132, R143

ASSEMBLY IC BOARD A - SUPER ZAXXON

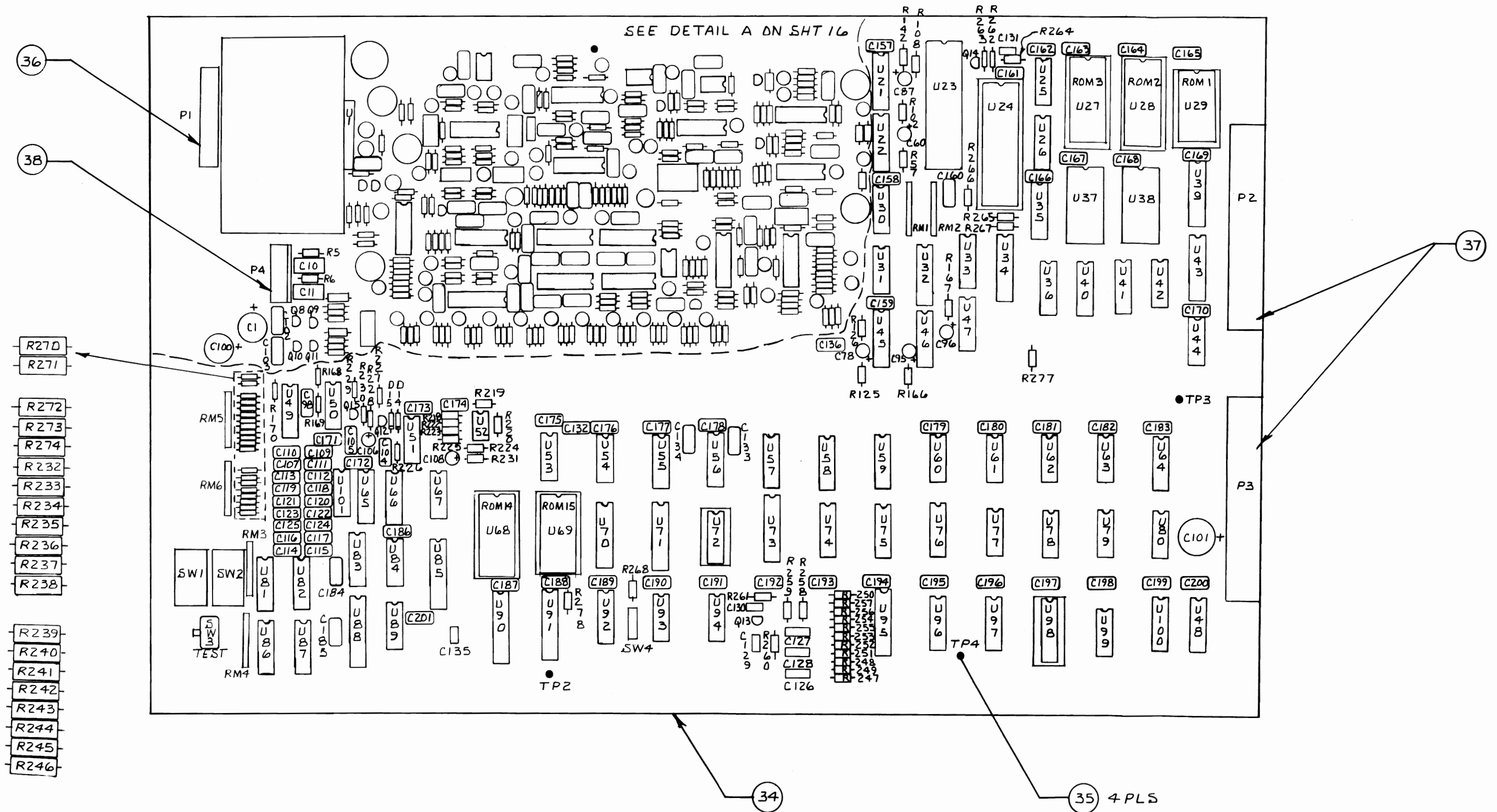
DRAWING NUMBER 800-3300

<u>Item No.</u>	<u>Part No.</u>	<u>Qty. Req'd.</u>	<u>Description</u>	<u>Ref. Des.</u>
119	470-0333	8	Res 33K Ohm 1/4W 5%	R123,R124,R139,R150, R156-R158,R161
120	470-0334	2	Res 330K Ohm 1/4W 5%	R117,R173
121	470-0363	3	Res 36K Ohm 1/4W 5%	R14,R56,R102
122	470-0391	3	Res 390 Ohm 1/4W 5%	R17,R34,R35
123	470-0392	1	Res 3.9K Ohm 1/4W 5%	R201
124	470-0393	2	Res 39K Ohm 1/4W 5%	R183,R203
125	470-04R7	2	Res 4.7 Ohm 1/4W 5%	R5,R6
126	470-0471	9	Res 470 Ohm 1/4W 5%	R58,R168,R212,R247- R249,R251,R253,R256
127	470-0472	4	Res 4.7K Ohm 1/4W 5%	R192,R224,R225,R228
128	470-0473	11	Res 47K Ohm 1/4W 5%	R48,R70,R107,R125, R129,R166,R167,R186, R191,R198,R200
129	470-0474	3	Res 470K Ohm 1/4W 5%	R21,R104,R105
130	470-0503	1	Res 50K Ohm 1/4W 5%	R63
131	470-0512	2	Res 5.1K Ohm 1/4W 5%	R65,R133
132	470-0513	30	Res 51K Ohm 1/4W 5%	R42,R53,R54,R68,R69, R72,R77,R78,R83,R84, R86,R94,R95,R98,R136, R137,R176,R179,R182, R185,R188-R190,R193, R196,R199,R202,R205, R208,R221
133	470-0561	1	Res 560 Ohm 1/4W 5%	R144
134	470-0562	3	Res 5.6K Ohm 1/4W 5%	R149,R220,R268
135	470-0563	1	Res 56K Ohm 1/4W 5%	R15
136	470-0680	2	Res 68 Ohm 1/4W 5%	R230,R260

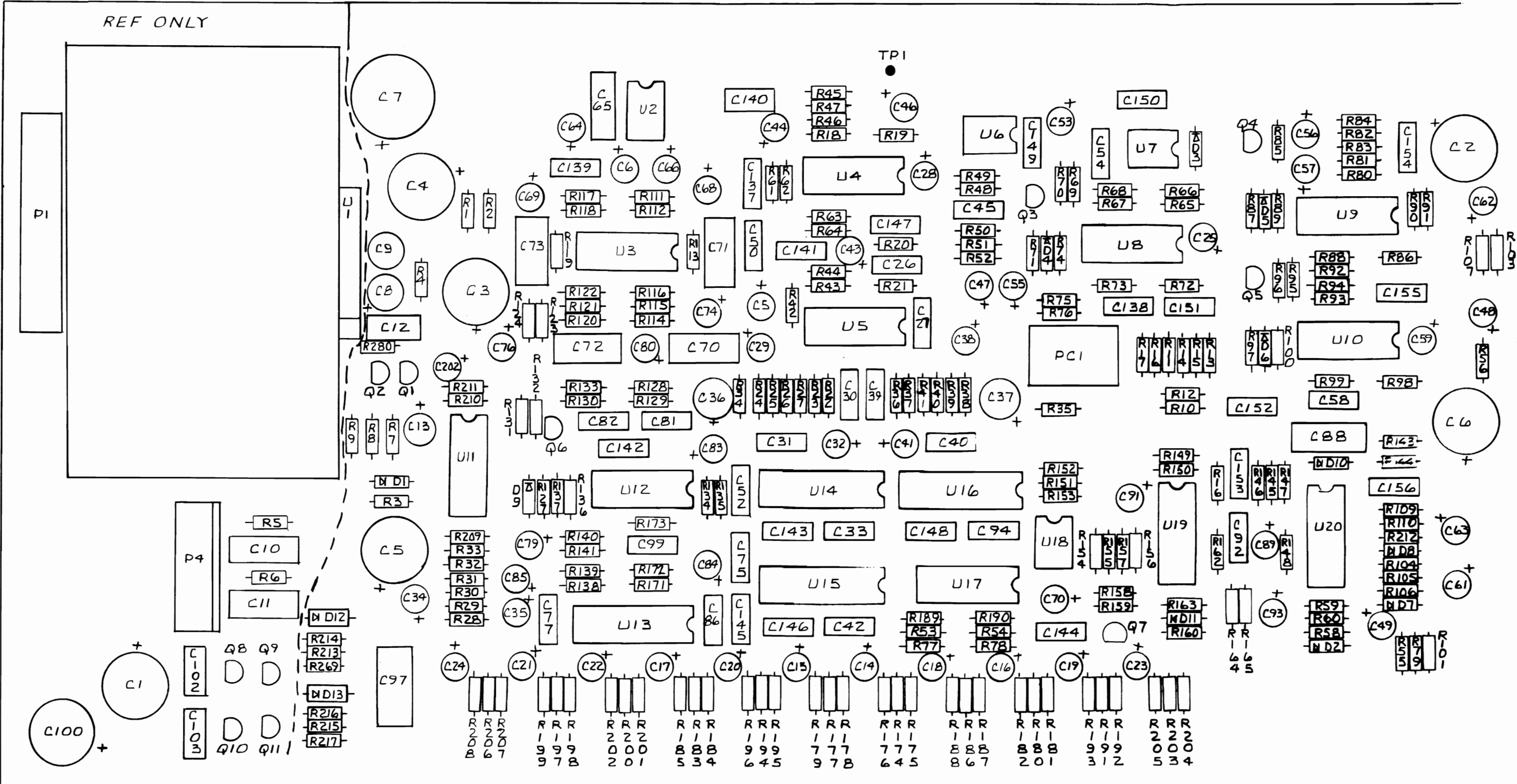
<u>Item No.</u>	<u>Part No.</u>	<u>Qty. Req'd.</u>	<u>Description</u>	<u>Ref. Des.</u>
137	470-0682	1	Res 6.8K Ohm 1/4W 5%	R44
138	470-0683	5	Res 68K Ohm 1/4W 5%	R12,R45,R49,R206, R211
139	470-0821	1	Res 820 Ohm 1/4W 5%	R155
140	470-0822	6	Res 8.2K Ohm 1/4W 5%	R154,R184,R187,R195, R197,R204
141	470-0823	2	Res 82K Ohm 1/4W 5%	R13,R210
142	477-0005	4	Res pack 8 x 4.7K Ohm	RM1-RM4
143	477-0006	2	Res pack 8 x 1K Ohm	RM5,RM6
144	481-0213	13	Diode 1S2075K	01-011,D14,D15
145	482-0037	3	Transistor 2SA 564	Q13-Q15
146	482-0057	2	Transistor 2SC 1384	Q8,Q10
147	482-0240	10	Transistor 2SC 1684	Q1-Q7,Q9,Q11,Q12
148	509-0156	1	Switch 1 pos dip spst	SW4
149	510-0049	2	Switch 8 pos dip spst	SW1,SW2
150	510-0053	1	Switch push button side pc mnt	SW3
151	530-0027	1	Heatsink 6.2 deg C/W L=40	
152	601-0727	1	Photocoupler Moririk MCD-725	PC1

IC Board Assembly A — Super ZAXXON

800-3300



Assembly IC Board A



DETAIL A

ASSEMBLY IC BOARD B - SUPER ZAXXON

DRAWING NUMBER 800-3301

<u>Item No.</u>	<u>Part No.</u>	<u>Qty. Req'd.</u>	<u>Description</u>	<u>Ref. Des.</u>
1	150-0031	2	Cap E 470 mf 16V	C1,C2
2	150-0223	2	Cap E 33 mf 16V	C9,C10
3	151-0011	4	Cap cer .01 mf 50V	C4,C6,C8,C14
4	151-0043	1	Con cer 220 pf 50V	C81
5				
6	151-0073	68	Cap cer .047 mf 25V	C12,C13,C15-C80
7	151-0079	1	Cap 47 pf 50V	C11
8	151-0114	2	Cap 15 pf 50V	C5,C7
9	151-0115	1	Cap 39 pf 50V	C3
10	171-0079	1	Printed bd coin circuit	
11	180-0018	1	Peaking coil .68 mh	L1
12	211-0168	4	Conn pin test PT	TP1-TP4
13	212-0098	1	Conn male 10 pin RTA	P1
14	212-0133	2	Conn male 50 pin	P2,P3
15	213-0011	2	Skt 22 pin dual inln	XU42,XU62
16	213-0012	10	Skt 28 pin dual inln	XU77-XU79,XU90-XU93, XU111-XU113
17	230-0043	1	Crystal 48.660 mhz	X1
18	314-0018	2	IC 74LS00	U10,U52
19	314-0019	6	IC 74LS04	U11,U22,U55,U7,U84, U99
20	314-0055	1	IC 74LS244	U3
21	314-0058	1	IC 74LS08	U76
22	314-0060	4	IC 74LS20	U24,U32,U51,U108
23	314-0062	3	IC 74LS74	U28,U29,U45

<u>Item No.</u>	<u>Part No.</u>	<u>Qty. Req'd.</u>	<u>Description</u>	<u>Ref. Des.</u>
24	314-0066	1	IC 74LS27	U109
25	314-0067	1	IC 74LS30	U6
26	314-0068	1	IC 74LS32	U35
27	314-0070	6	IC 74LS86	U4,U12,U13,U23,U95, U107
28	314-0072	1	IC 74LS174	U85
29	314-0076	10	IC 74LS157	U18,U37,U39,U47,U49, U50,U59,U66,U105, U106
30	314-0078	1	IC 74LS02	U9
31	314-0087	1	IC 74LS139	U8
32	314-0093	3	IC 74LS374	U80,U114,U117
33	314-0097	5	IC 74LS161	U26,U27,U30,U31,U48
34	314-0099	1	IC 74LS245	U57
35	314-0100	5	IC 74LS273	U16,U25,U96,U97,U100
36	314-0101	15	IC 74LS283	U14,U15,U33,U34,U53, U54,U56,U72-U75, U81-U83,U98
37	314-0102	3	IC 74LS367	U94,U101,U118
38	314-0103	1	IC 74LS368	U5
39	314-0104	1	IC 74LS138	U7
40	314-0119	3	IC 74LS377	U67,U86,U115
41	314-0122	6	IC 74LS299	U68-U70,U102-U104
42	314-0139	5	IC 74S163	U1,U2,U21,U44,U64
43	314-0151	1	IC 74S112	U38
44	314-0178	1	IC 74S139	U41
45	314-0237	1	IC 74LS109	U19

ASSEMBLY IC BOARD B - SUPER ZAXXON

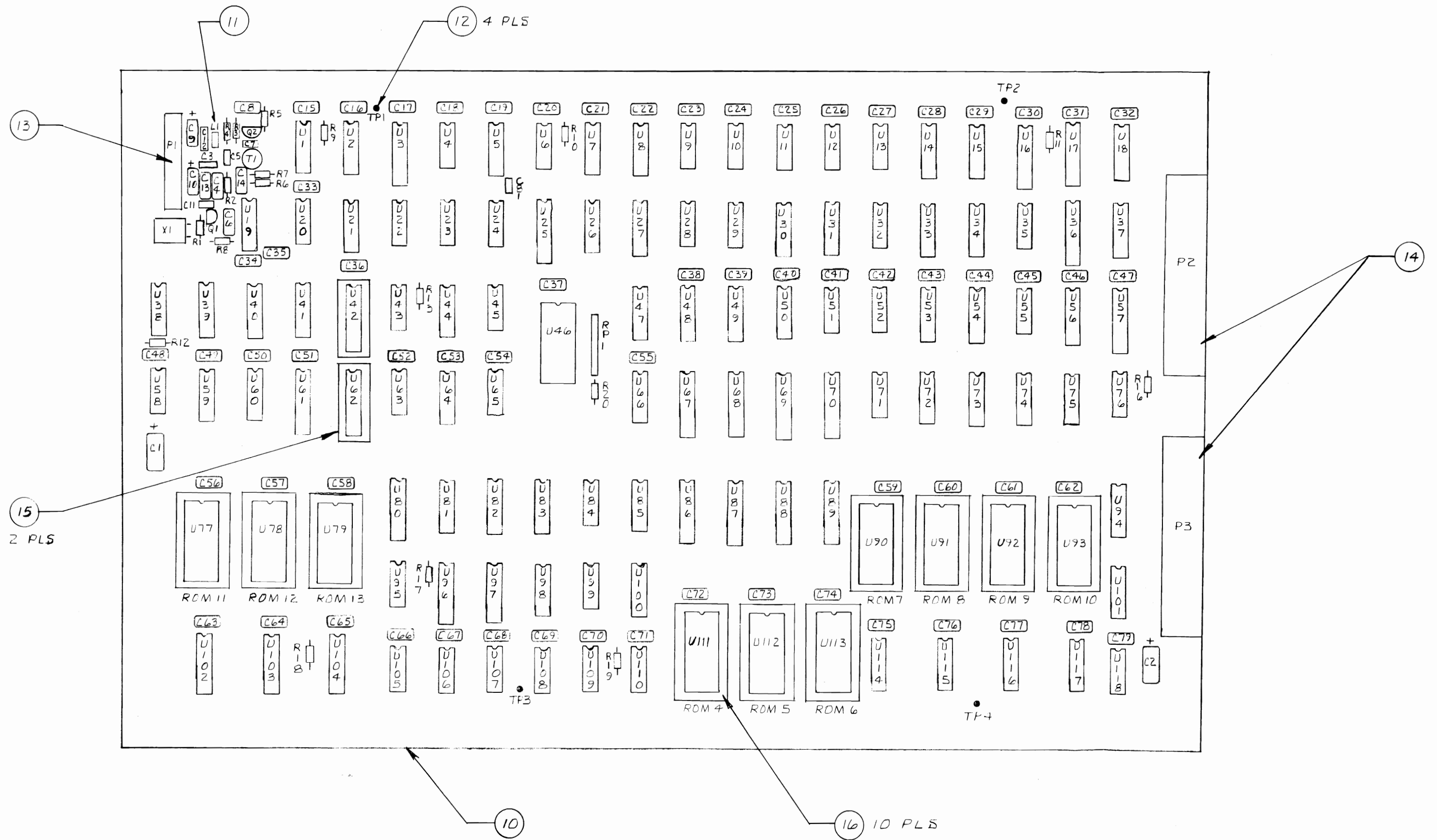
DRAWING NUMBER 800-3301

<u>Item No.</u>	<u>Part No.</u>	<u>Qty. Req'd.</u>	<u>Description</u>	<u>Ref. Des.</u>
46	314-0243	1	IC 10125	U19
47	314-0269	2	IC 74S157	U40,U60
48	314-0273	2	IC 74S32	U20,U65
49	314-0274	2	IC 74S86	U43,U63
50	314-0131	4	IC 74LS373	U87-U89,U116
51	314-0276	1	IC 74S260	U58
52	315-0071	1	IC ram MB-7063	U46
53	314-0275	1	IC 74S373	U61
54	315-0155	2	IC 93422	U42,U62
55	316-1811	1	IC 2763 EPR 1492	U93
56	316-1810	1	IC 2763 EPR 1493	U92
57	316-1809	1	IC 2763 EPR 1494	U91
58	316-1808	1	IC 2763 EPR 1495	U90
59	316-1807	1	IC 2763 EPR 1496	U113
60	316-1806	1	IC 2763 EPR 1497	U112
61	316-1805	1	IC 2763 EPR 1498	U111
62	316-1812	1	IC 2763 EPR 1499	U77
63	316-1813	1	IC 2763 EPR 1500	U78
64	316-1814	1	IC 2763 EPR 1501	U79
65				
66	470-0102	12	Res 1K Ohm 1/4W 5%	R9-R20
67	470-0103	3	Res 10K Ohm 1/4W 5%	R3,R4,R8
68	470-0222	2	Res 2.2K Ohm 1/4W 5%	R6,R7
69	470-0331	1	Res 330 Ohm 1/4W 5%	R2

ASSEMBLY IC BOARD B - SUPER ZAXXON

DRAWING NUMBER 800-3301

<u>Item No.</u>	<u>Part No.</u>	<u>Qty. Req'd.</u>	<u>Description</u>	<u>Ref. Des.</u>
70	470-0471	1	Res 470 Ohm 1/4W 5%	R5
71	470-0472	1	Res 4.7K Ohm 1/4W 5%	R1
72	477-0006	1	Res pack 8 x 1 K Ohm 1/8W	RP1
73	482-0270	2	XSTR 2SC 1907	Q1,Q2
74	560-0076	1	XFMR RF 4:1	T1



ASSEMBLY IC BOARD B - SUPER ZAXXON

DRAWING NUMBER 800-3310

<u>Item No.</u>	<u>Part No.</u>	<u>Qty. Req'd.</u>	<u>Description</u>	<u>Ref. Des.</u>
1	150-0031	2	Cap E 470 mf 16V	C1,C2
2	150-0223	2	Cap E 33 mf 16V	C9,C10
3	151-0011	4	Cap cer .01 mf 50V	C4,C6,C8,C14
4	151-0043	1	Con cer 220 pf 50V	C81
5				
6	151-0073	68	Cap cer .047 mf 25V	C12,C13,C15-C80
7	151-0079	1	Cap 47 pf 50V	C11
8	151-0114	2	Cap 15 pf 50V	C5,C7
9	151-0115	1	Cap 39 pf 50V	C3
10	171-0079	1	Printed bd coin circuit	
11	180-0018	1	Peaking coil .68 mh	L1
12	211-0168	4	Conn pin test pt	TP1-TP4
13	212-0098	1	Conn male 10 pin rta	P1
14	212-0133	2	Conn male 50 pin	P2,P3
15	213-0011	2	Skt 22 pin dual inln	XU42,XU62
16	213-0012	10	Skt 28 pin dual inln	XU77-XU79,XU90-XU93, XU111-XU113
17	230-0043	1	Crystal 48.660 MHz	X1
18	314-0018	2	IC 74LS00	U10,U52
19	314-0019	6	IC 74LS04	U11,U22,U55,U71,U84, U99
20	314-0055	1	IC 74LS244	U3
21	314-0058	1	IC 74LS08	U76
22	314-0060	4	IC 74LS20	U24,U32,U51,U108
23	314-0062	3	IC 74LS74	U28,U29,U45

ASSEMBLY IC BOARD B - SUPER ZAXXON

DRAWING NUMBER 800-3310

<u>Item No.</u>	<u>Part No.</u>	<u>Qty. Req'd.</u>	<u>Description</u>	<u>Ref. Des.</u>
24	314-0066	1	IC 74LS27	U109
25	314-0067	1	IC 74LS30	U6
26	314-0068	1	IC 74LS32	U35
27	314-0070	6	IC 74LS86	U4,U12,U13,U23,U95, U107
28	314-0072	1	IC 74LS174	U85
29	314-0076	10	IC 74LS157	U18,U37,U39,U47,U49, U50,U59,U66,U105,U106
30	314-0078	1	IC 74LS02	U9
31	314-0087	1	IC 74LS139	U8
32	314-0093	3	IC 74LS374	U80,U114,U117
33	341-0097	5	IC 74LS161	U26,U27,U30,U31,U48
34	314-0099	1	IC 74LS245	U57
35	314-0100	5	IC 74LS273	U16,U25,U96,U97,U100
36	314-0101	15	IC 74LS283	U14,U15,U33,U34,U53, U54,U56,U72-U75, U81-U83,U98
37	314-0102	3	IC 74LS367	U94,U101,U118
38	314-0103	1	IC 74LS368	U5
39	314-0104	1	IC 74LS138	U7
40	314-0119	3	IC 74LS377	U67,U86,U115
41	314-0122	6	IC 74LS299	U68-U70,U102-U104
42	314-0139	5	IC 74S163	U1,U2,U21,U44,U64
43	314-0151	1	IC 74S112	U38
44	314-0178	1	IC 74S139	U41
45	314-0237	1	IC 74LS109	U110

ASSEMBLY IC BOARD B - SUPER ZAXXON

DRAWING NUMBER 800-3310

<u>Item No.</u>	<u>Part No.</u>	<u>Qty. Req'd.</u>	<u>Description</u>	<u>Ref. Des.</u>
46	314-0243	1	IC 10125	U19
47	314-0269	2	IC 74S157	U40,U60
48	314-0273	2	IC 74S32	U20,U65
49	314-0274	2	IC 74S86	U43,U63
50	314-0131	4	TC 74LS373	U87-U89,U116
51	314-0276	1	IC 74S260	U58
52	315-0071	1	IC Ram MB-7063	U46
53	314-0275	1	IC 74S373	U61
54	315-0155	2	IC 93422	U42,U62
55	316-1823	1	IC 2564 EPR 1456	U93
56	316-1822	1	IC 2564 EPR 1457	U92
57	316-1821	1	IC 2564 EPR 1458	U91
58	316-1820	1	IC 2564 EPR 1459	U90
59	316-1819	1	IC 2564 EPR 1460	U113
60	316-1818	1	IC 2564 EPR 1461	U112
61	316-1817	1	IC 2564 EPR 1462	U111
62	316-1824	1	IC 2564 EPR 1465	U77
63	316-1825	1	IC 2564 EPR 1466	U78
64	316-1826	1	IC 2564 EPR 1467	U79
65				
66	470-0102	12	Res 1K Ohm 1/4W 5%	R9-R20
67	470-0103	3	Res 10K Ohm 1/4W 5%	R3,R4,R8
68	470-0222	2	Res 2.2K Ohm 1/4W 5%	R6,R7
69	470-0331	1	Res 330 Ohm 1/4W 5%	R2

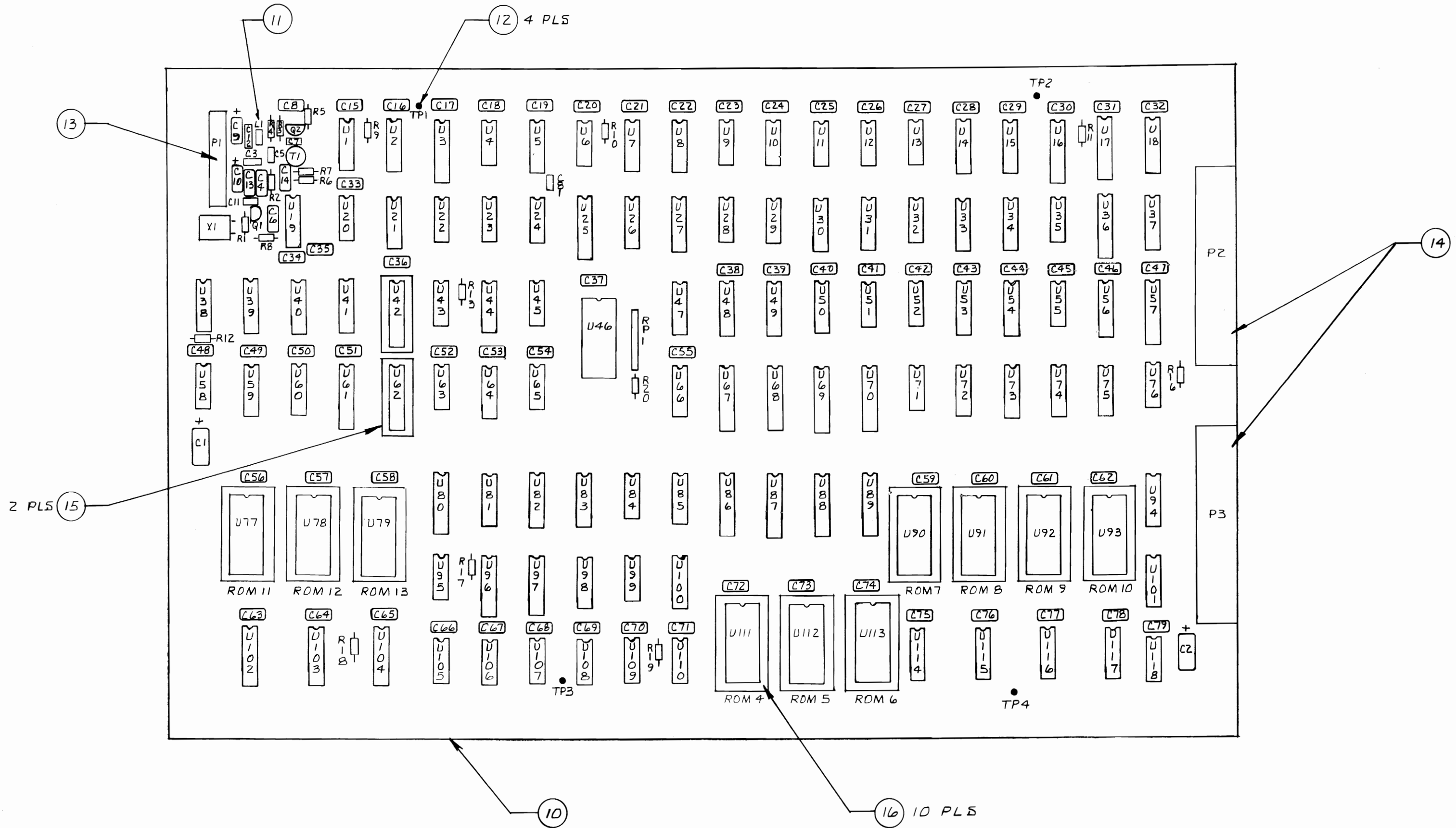
ASSEMBLY IC BOARD B - SUPER ZAXXON

DRAWING NUMBER 800-3310

<u>Item No.</u>	<u>Part No.</u>	<u>Qty. Req'd.</u>	<u>Description</u>	<u>Ref. Des.</u>
70	470-0471	1	Res 470 Ohm 1/4W 5%	R5
71	470-0472	1	Res 4.7K Ohm 1/4W 5%	R1
72	477-0006	1	Res pack 8 x 1K Ohm 1/8W	RP1
73	482-0270	2	XSTR 2 SC 1907	Q1,Q2
74	560-0076	1	XFMR RF 4:1	T1

IC Board Assembly B 2564

800-3310



SOUND BOARD ASSEMBLY

DRAWING NUMBER 834-5106

<u>ITEM NO.</u>	<u>PART NO.</u>	<u>QTY. REQ'D</u>	<u>DESCRIPTION</u>	<u>REF. DESG.</u>
1	150-0009	7	Cap E 1 UF 50V	C9, 14, 16-18, 28
2	150-0017	5	Cap E 33 UF 25V	C1-3, 19, 21
3	150-0100	4	Cap 2.2 MF 50V Elec	C25, 26, 30, 32
4	150-0200	1	Cap 47 UF 16V Elec	C33
5				
6	151-0122	3	Cap 680 PF Cer 25V	C15, 27, 10
7				
8	152-0031	3	Cap 0.1 MF 50V Film	C12, 13, 6
9	152-0033	2	Cap 0.01 MF 50V Film	C4, 22
10	152-0079	1	Cap 0.022 MF 50V Film	C31
11	152-0045	1	Cap 0.0022 MF 50V Film	C29
12	152-0005	2	Cap 0.0047 UF 50V Film	C7, 8
13	152-0078	1	Cap 0.0068 MF 50 Film	C24
14	153-0002	1	Cap 1 MF 25V	C5
15	153-0064	2	Cap Tant 2.2 UF 35V	C20, 23
16				
17	482-0227	4	XSTR 2SC458	Q1-Q4
18	171-5009	1	Sound Bd Super Zaxxon	
19				
20	313-0034	5	IC LM324	U2, U6, U8, U9, U11
21	313-0084	2	IC MB4391	U1, U10
22				
23	314-0001	2	IC NE555 DIP	U7, U12
24	314-0146	1	IC 7416	U4
25				

SOUND BOARD ASSEMBLY

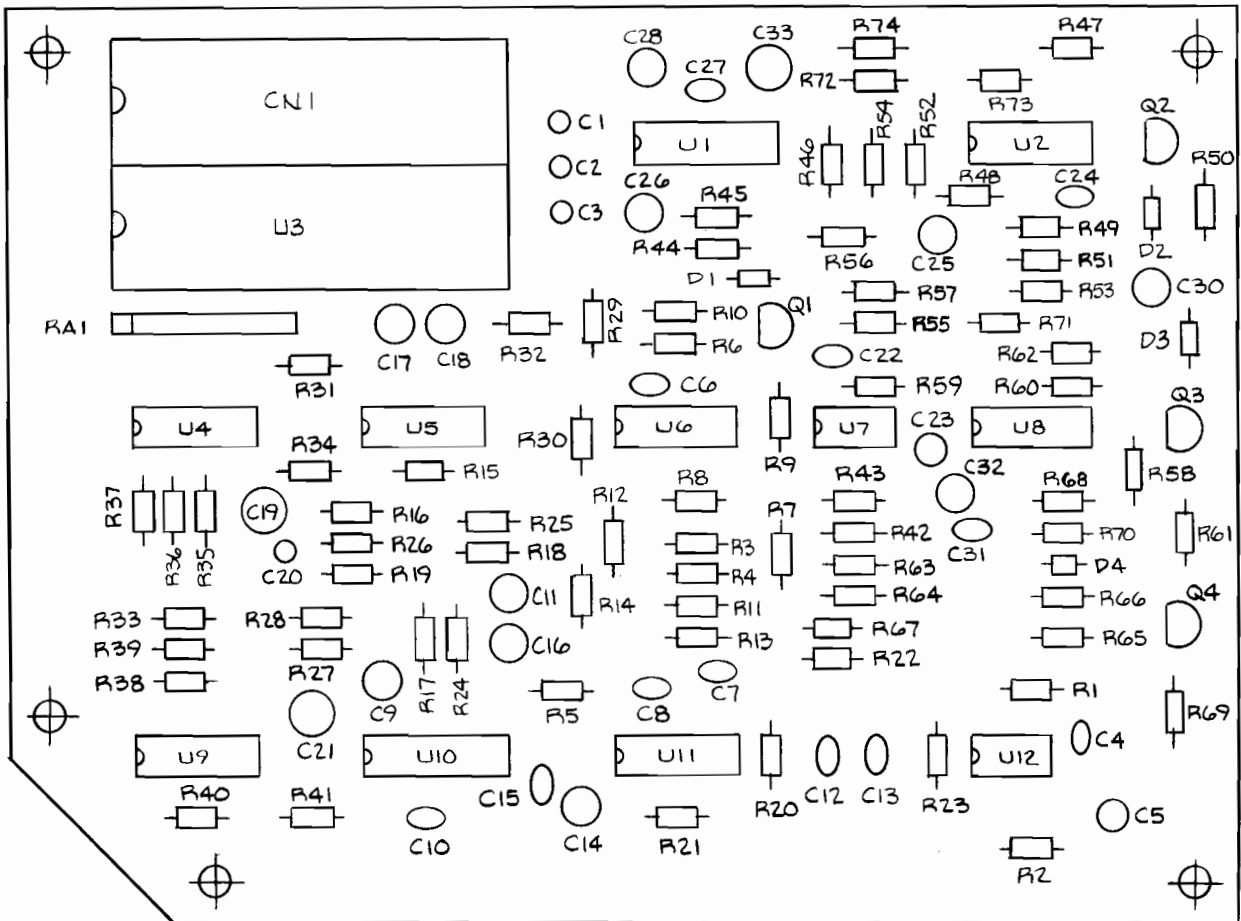
DRAWING NUMBER 834-5106

<u>ITEM NO.</u>	<u>PART NO.</u>	<u>QTY. REQ'D</u>	<u>DESCRIPTION</u>	<u>REF. DESG.</u>
26	315-0033	1	IC CD4016	U5
27	315-0088	1	IC 8255	U3
28	213-0014	1	IC Wire Wrap Socket 40P	CN1
29	213-0003	1	IC Socket Dip 40P	XU3
30				
31	470-0103	5	Res 10K 1/4W 5%	R10, 16, 31, 32, 51
32	470-0104	6	Res 100K 1/4W 5%	R12, 21, 49, 60, 68, 71
33	470-0123	6	Res 12K 1/4W	R1, 27, 38, 39, 62, 70
34	470-0133	1	Res 13K 1/4W	R18
35	470-0153	3	Res 15K 1/4W	R22, 35, 74
36	470-0154	2	Res 150K 1/4W 5%	R44, 63
37	470-0183	1	Res 18K 1/4W 5%	R33
38	470-0203	1	Res 20K 1/4W 5%	R43
39	470-0224	3	Res 220K 1/4W	R36, 52, 53
40	470-0222	3	Res 2.2K 1/4W 5%	R50, 61, 69
41	470-0273	1	Res 27K 1/4W	R9
42	470-0303	3	Res 30K 1/4W	R3-R5
43	470-0333	2	Res 33K 1/4W 5%	R2, 13
44	470-0334	1	Res 330K 1/4W	R37
45	470-0363	2	Res 36K 1/4W	R17, 67
46	470-0372	1	Res 3.7K 1/4W	R6
47	470-0373	1	Res 37K 1/4W	R40
48	470-0473	10	Res 47K 1/4W	R14, 19, 25, 26, 28-30 58, 66, 73
49	470-0513	6	Res 51K 1/4W	R11, 20, 48, 56, 57, 59

SOUND BOARD ASSEMBLY

DRAWING NUMBER 834-5106

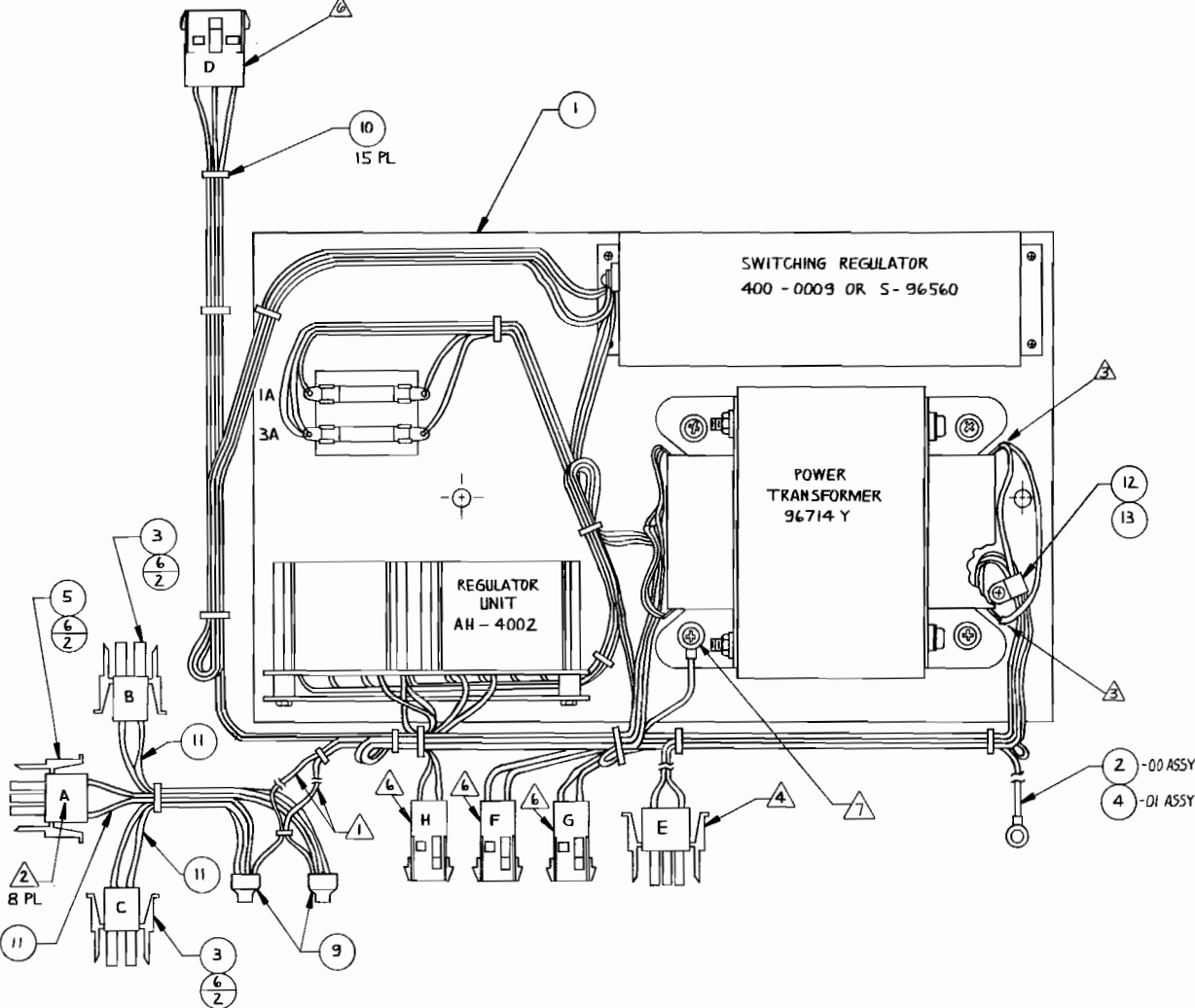
<u>ITEM NO.</u>	<u>PART NO.</u>	<u>QTY. REQ'D</u>	<u>DESCRIPTION</u>	<u>REF. DESG.</u>
50	470-0562	1	Res 5.6K 1/4W	R24
51	470-0563	5	Res 56K 1/4W	R45, 46, 64, 65, 72
52	470-0684	1	Res 680K 1/4W 5%	R42
53	470-0683	4	Res 68K 1/4W	R23, 34, 41, 47
54	470-0822	1	Res 8.2K 1/4W	R54
55	470-0823	1	Res 82K 1/4W	R15
56				
57	477-0005	1	Res Pack 8 X 4.7K	RA1
58				
59	481-0031	4	Diode MA150	D1-D4
60				
61				



POWER SUPPLY-MODIFIED ZAXXON

DRAWING NUMBER 800-0367

<u>ITEM NO.</u>	<u>PART NO.</u>	<u>QTY. REQ'D.</u>		<u>DESCRIPTION</u>
		-00	-01	
1	834-0070	1	1	Power Supply Assembly (SEGA FR-4100)
2	834-0370	1	-	Assembly, GND Strap
3	211-0043	2	2	Conn Plug AMP 2 Pin
4	800-0408	-	1	Assembly, Ground Strap
5	211-0059	1	1	Conn Plug AMP 3 Pin
6	211-0042	6	6	Conn Socket
7				
8				
9	280-0359	2	2	Elec. Crimp Sleeve
10	280-0005	15	15	Cable Tie
11	600-0079	1.75'	1.75'	2 Cond Zip Cord
12	280-0324	1	1	Cable Clamp Nylon
13	281-0044	1	1	SCR 8-18 X ½" PN HD Type AB



Switching Regulator

601-0158

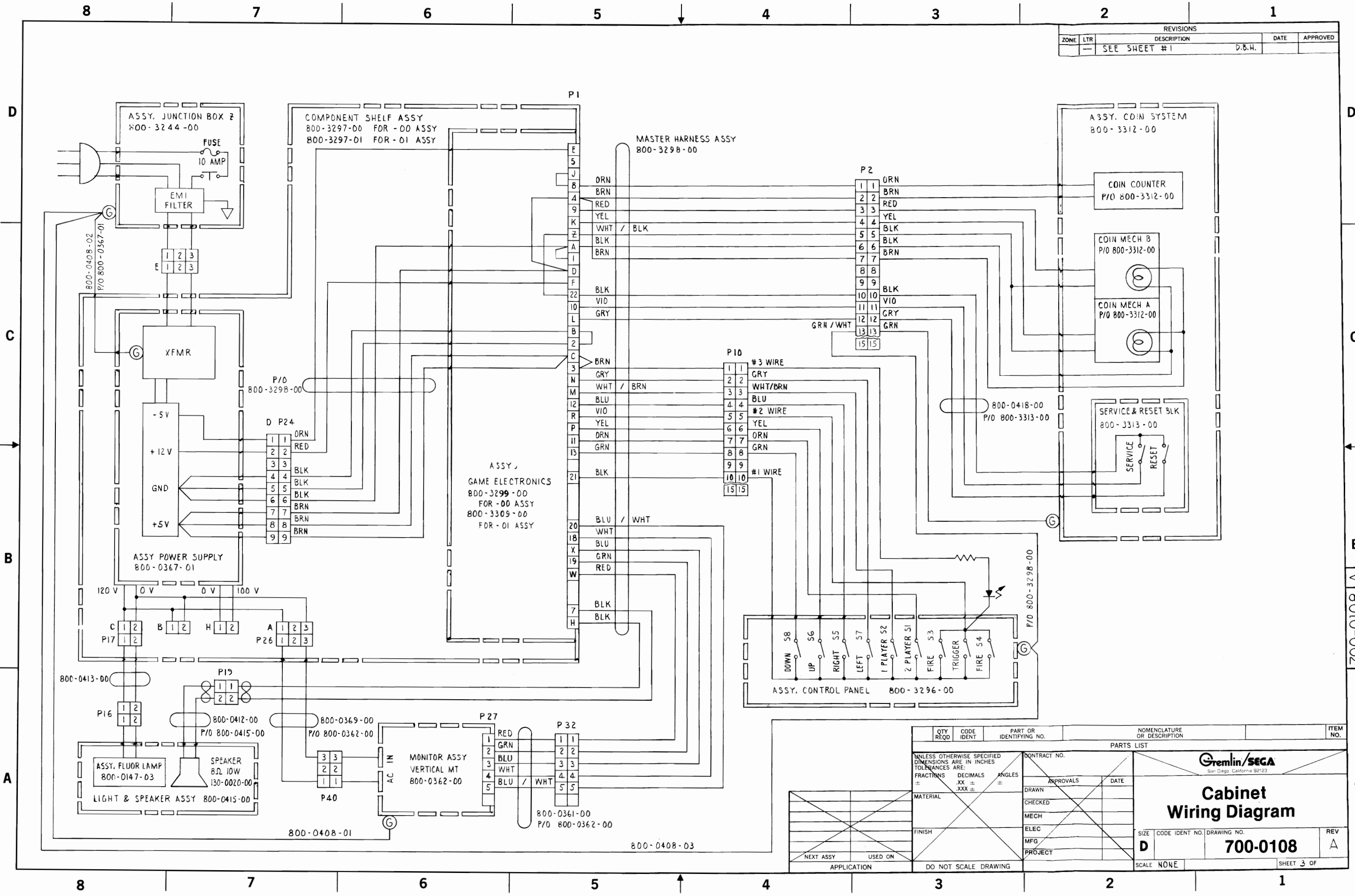
<u>ITEM NO.</u>	<u>QTY. REQ'D</u>	<u>DESCRIPTION</u>
1	1	Vol Con Pot 2K Ohm
2	2	Res 82K Ohm 1/4W
3	1	Res 10K Ohm 1/4W
4	2	Res 6.8K Ohm 1/4W
5	3	Res 4.7K Ohm 1/4W
6	1	Res 3.3K Ohm 1/4W
7	1	Res 1K Ohm 1/4W
8	2	Res 680 Ohm 1/4W
9	1	Res 120 Ohm 1/4W
10	1	Res 3.3 Ohm 5W
11	1	Res 150 Ohm 1/3W
12	1	Res 220 Ohm 1/3W
13	3	Res 12 Ohm 1/4W
14	1	Res 56 Ohm 1/3W
15	1	Diode RD36EB4
16	1	Diode RD8.2EB1
17	1	Diode ESAC82-004
18	4	Diode 1SZ471C
19	1	Diode SM-1.5-04FR
20	1	IC TL494CN
21	1	Xistor 2SA-719
22	1	Xistor 2SC-2333
23	1	Xistor 2SC-2335
24	1	Filter R-W6772

SWITCHING REGULATOR

DRAWING NUMBER 601-0158

<u>ITEM NO.</u>	<u>QTY. REQ'D</u>	<u>DESCRIPTION</u>
25	1	Filter R-W6773
26	1	Filter R-W6770
27	1	Drive XFMR R-W77850
28	1	Converter XFMR R-W77837
29	1	Power XFMR R-W77836

REVISIONS				
ZONE	LTR	DESCRIPTION	DATE	APPROVED
		SEE SHEET #1	D.B.H.	



QTY REQD	CODE IDENT	PART OR IDENTIFYING NO.	NOMENCLATURE OR DESCRIPTION	ITEM NO.
PARTS LIST				
UNLESS OTHERWISE SPECIFIED DIMENSIONS ARE IN INCHES TOLERANCES ARE: FRACTIONS .XX ± ANGLES .XXX ±				
MATERIAL		CONTRACT NO.		
FINISH		APPROVALS		
NEXT ASSY		DRAWN		
USED ON		CHECKED		
APPLICATION		MECH		
DO NOT SCALE DRAWING		ELEC		
		MFG		
		PROJECT		

Gremlin/SEGA
San Diego, California 92123

Cabinet Wiring Diagram

SIZE: **D** CODE IDENT NO: **700-0108** DRAWING NO: **700-0108** REV: **A**

SCALE: NONE SHEET 3 OF 198

8

7

6

5

4

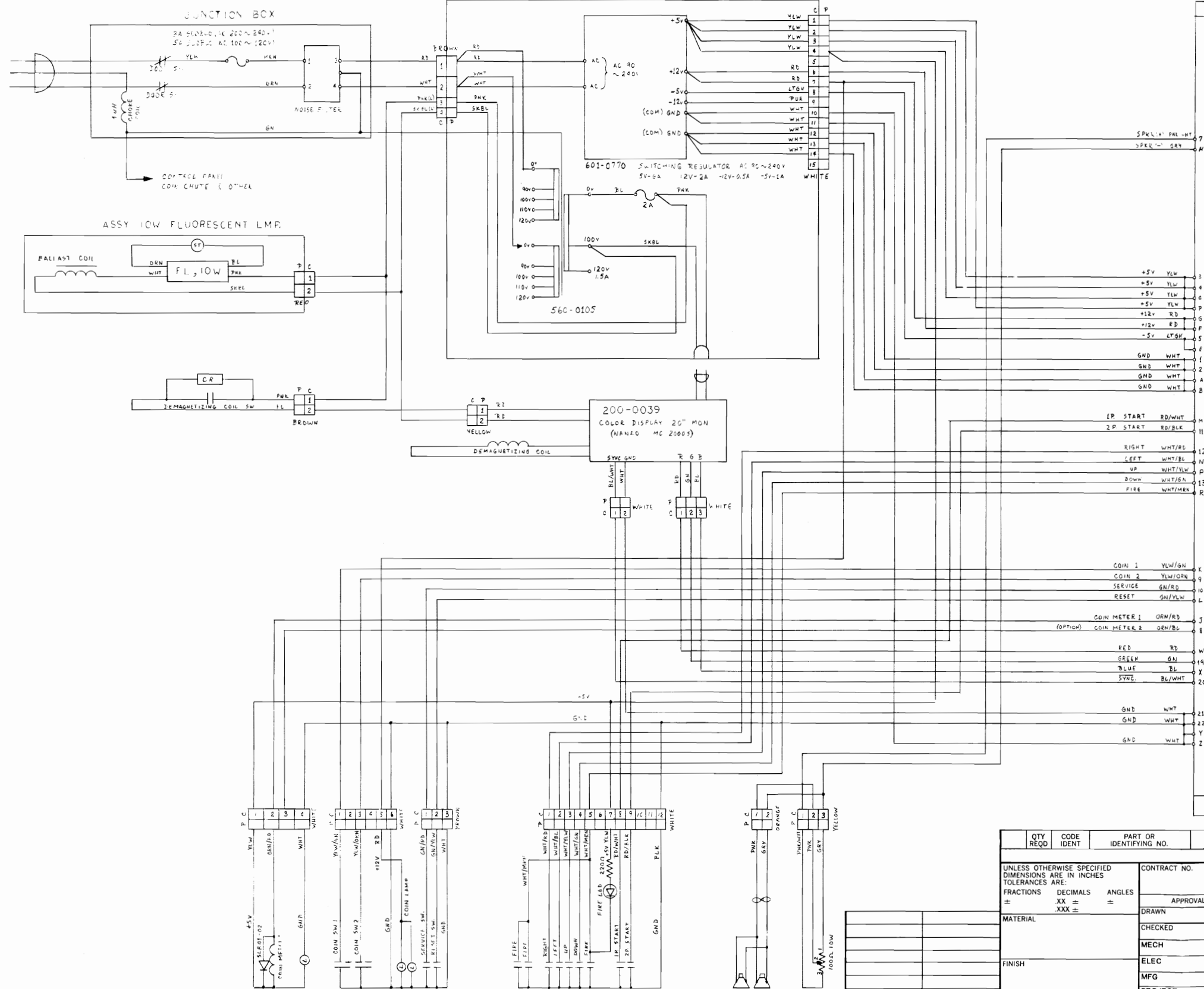
3

2

1

REVISIONS				
ZONE	LTR	DESCRIPTION	DATE	APPROVED

834-0366
ASSY POWER SUPPLY



FIN ASSIGNMENT
#4P

GND	A 1	GND
GND	B 2	GND
+5V	C 3	+5V
+5V	D 4	+5V
-5V	E 5	-5V
+12V	F 6	+12V
SPEAKER(-)	H 7	SPEAKER(+)
COIN METER 1	J 8	
COIN 1	K 9	COIN 2
RESET	L 10	SERVICE
IP START	M 11	2P START
LEFT	N 12	RIGHT
UP	P 13	DOWN
FIRE	R 14	
	S 15	
	T 16	
	U 17	
GND	V 18	GND
RED	W 19	GREEN
BLUE	X 20	SYNC
GND	Y 21	GND
GND	Z 22	GND

PARTS SETTING SIDE

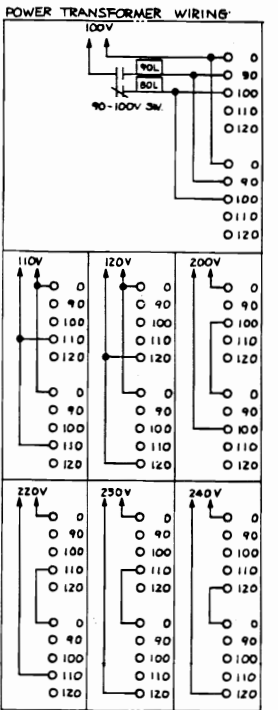
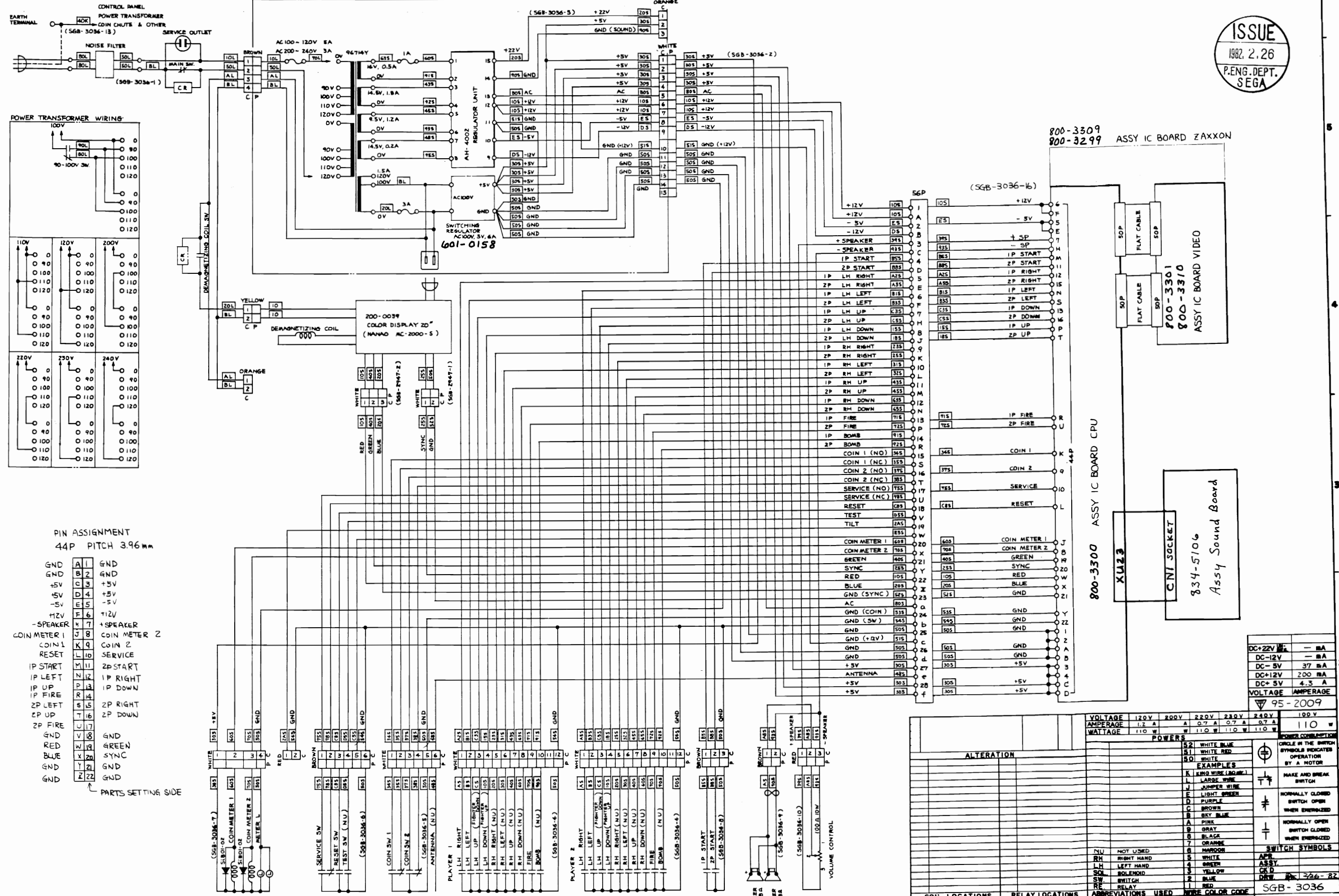
QTY REQD	CODE IDENT	PART OR IDENTIFYING NO.	NOMENCLATURE OR DESCRIPTION	ITEM NO.
PARTS LIST				
UNLESS OTHERWISE SPECIFIED DIMENSIONS ARE IN INCHES TOLERANCES ARE:		CONTRACT NO.		
FRACTIONS	DECIMALS	ANGLES	APPROVALS	DATE
±	.XX ±	±	DRAWN	
	.XXX ±		CHECKED	
MATERIAL			MECH	
			ELEC	
FINISH			MFG	
			PROJECT	
NEXT ASSY	USED ON		SIZE	CODE IDENT NO. DRAWING NO.
APPLICATION			D	700-0122
			SCALE	REV

Cabinet Wiring Diagram

700-0122

834-0340 POWER SUPPLY UNIT

ISSUE
1982.2.26
P.ENG.DEPT.
SEGA



PIN ASSIGNMENT
44P PITCH 3.96mm

GND	A1	GND
GND	B2	GND
+5V	C3	+5V
+5V	D4	+5V
-5V	E5	-5V
12V	F6	12V
-SPEAKER	G7	+SPEAKER
COIN METER 1	H8	COIN METER 2
COIN 1	I9	COIN 2
RESET	J10	SERVICE
1P START	K11	2P START
1P LEFT	L12	1P RIGHT
1P UP	M13	1P DOWN
1P FIRE	N14	1P DOWN
2P LEFT	O15	2P RIGHT
2P UP	P16	2P DOWN
2P FIRE	Q17	
GND	R18	GND
RED	S19	GREEN
BLUE	T20	SYNC
GND	U21	GND
GND	V22	GND

← PARTS SETTING SIDE

DC+22V	—	100 mA
DC-12V	—	100 mA
DC-5V	37	50 mA
DC+12V	200	100 mA
DC+5V	4.3	100 mA
VOLTAGE		AMPERAGE
95-2009		110 W

ALTERATION	POWERS				CONNECTION SYMBOLS INDICATES OPERATION BY A MOTOR		
	VOLTAGE	120V	200V	220V		230V	240V
	AMPERAGE	1.2 A	0.7 A	0.7 A	0.7 A		
	WATTAGE	110 W	110 W	110 W	110 W		

SYMBOL	DESCRIPTION	WIRE COLOR
○	CIRCLE IN THE SWITCH	WHITE
⊕	SYMBOLS INDICATES OPERATION BY A MOTOR	WHITE
⊖	SYMBOLS INDICATES OPERATION BY A MOTOR	WHITE
K	LARGE WIRE (NONE)	LARGE WIRE
J	JUMPER WIRE	JUMPER WIRE
E	LIGHT BROWN	LIGHT BROWN
D	PURPLE	PURPLE
C	BROWN	BROWN
B	SKY BLUE	SKY BLUE
A	PINK	PINK
9	GRAY	GRAY
8	BLACK	BLACK
7	ORANGE	ORANGE

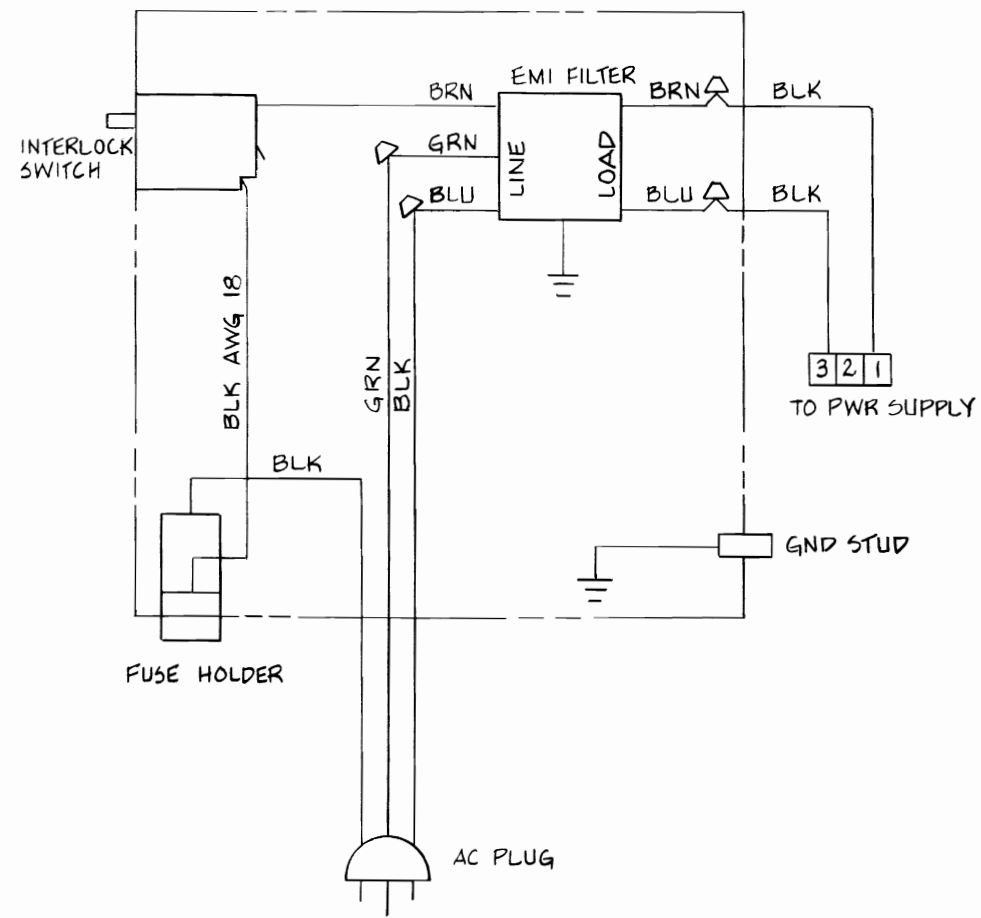
ABBREVIATIONS USED	WIRE COLOR CODE
NU	NOT USED
RH	RIGHT HAND
LH	LEFT HAND
SW	BOLENDID
SW	SWITCH
RE	RELAY

COIL LOCATIONS	RELAY LOCATIONS	ABBREVIATIONS USED	WIRE COLOR CODE

Cabinet Wiring Diagram (AC100~240V)
50/60Hz
DESCRIPTION SCHEMATIC DIAGRAM NO. SGB-3036

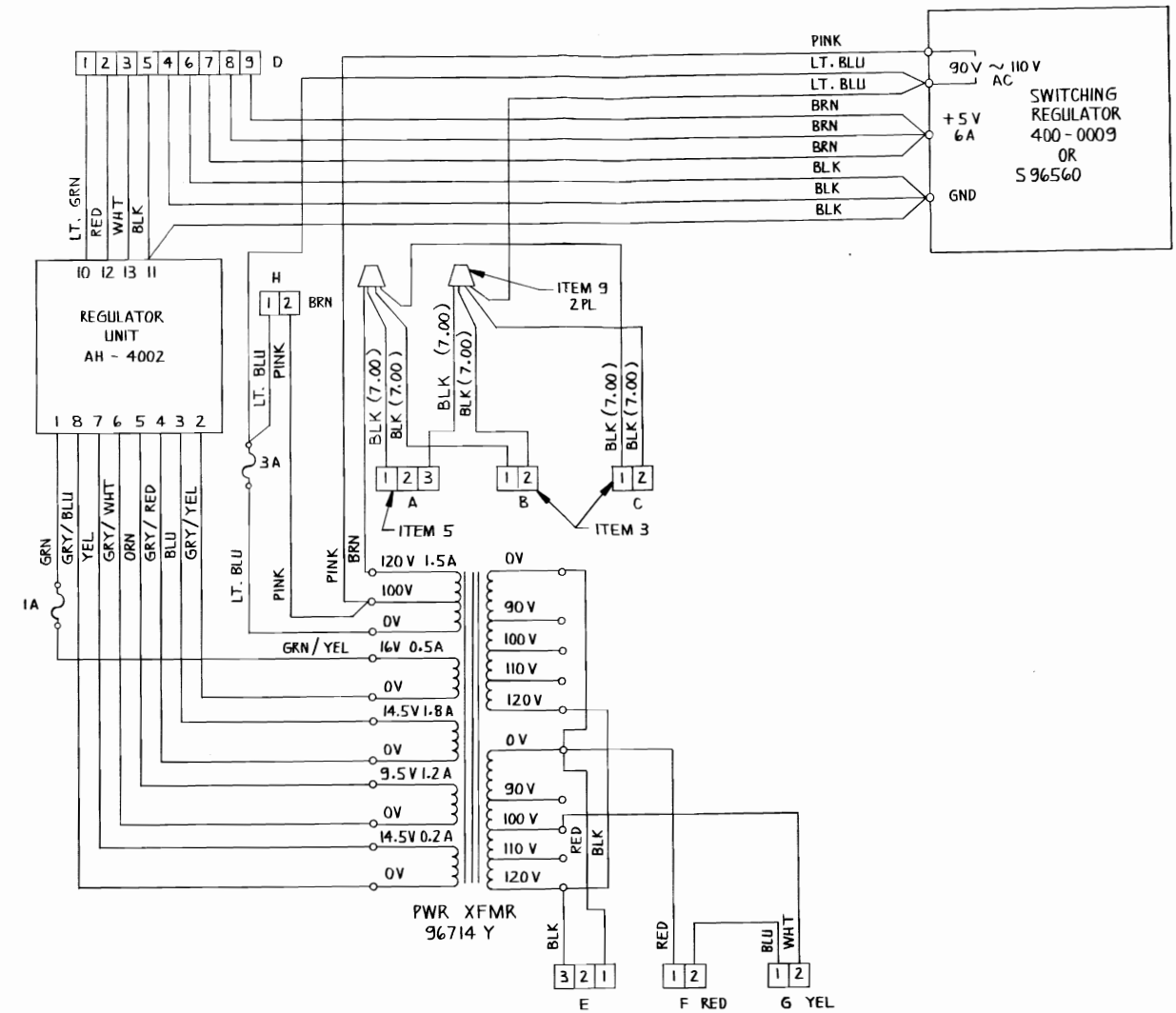
AC Junction Box Assembly

800-3244



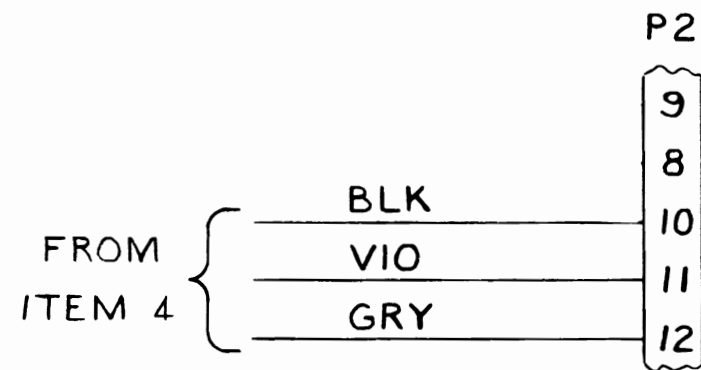
Power Supply Assembly — Modified ZAXXON

800-0367



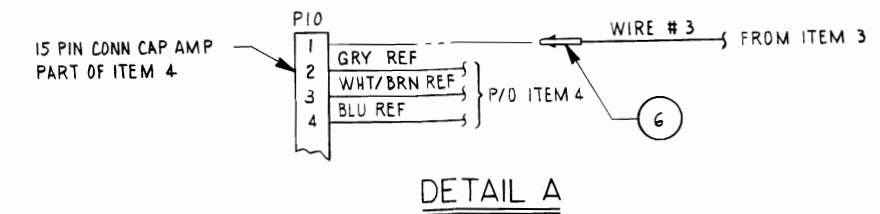
Coin System Assembly

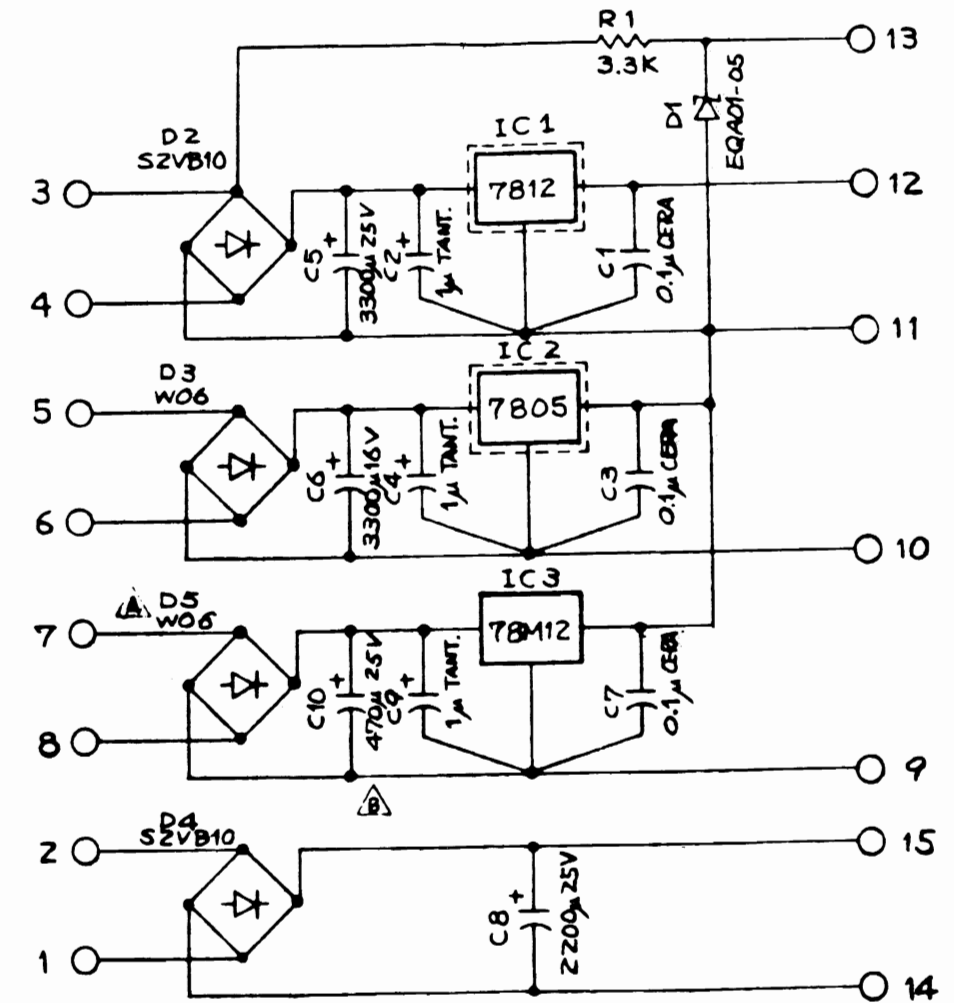
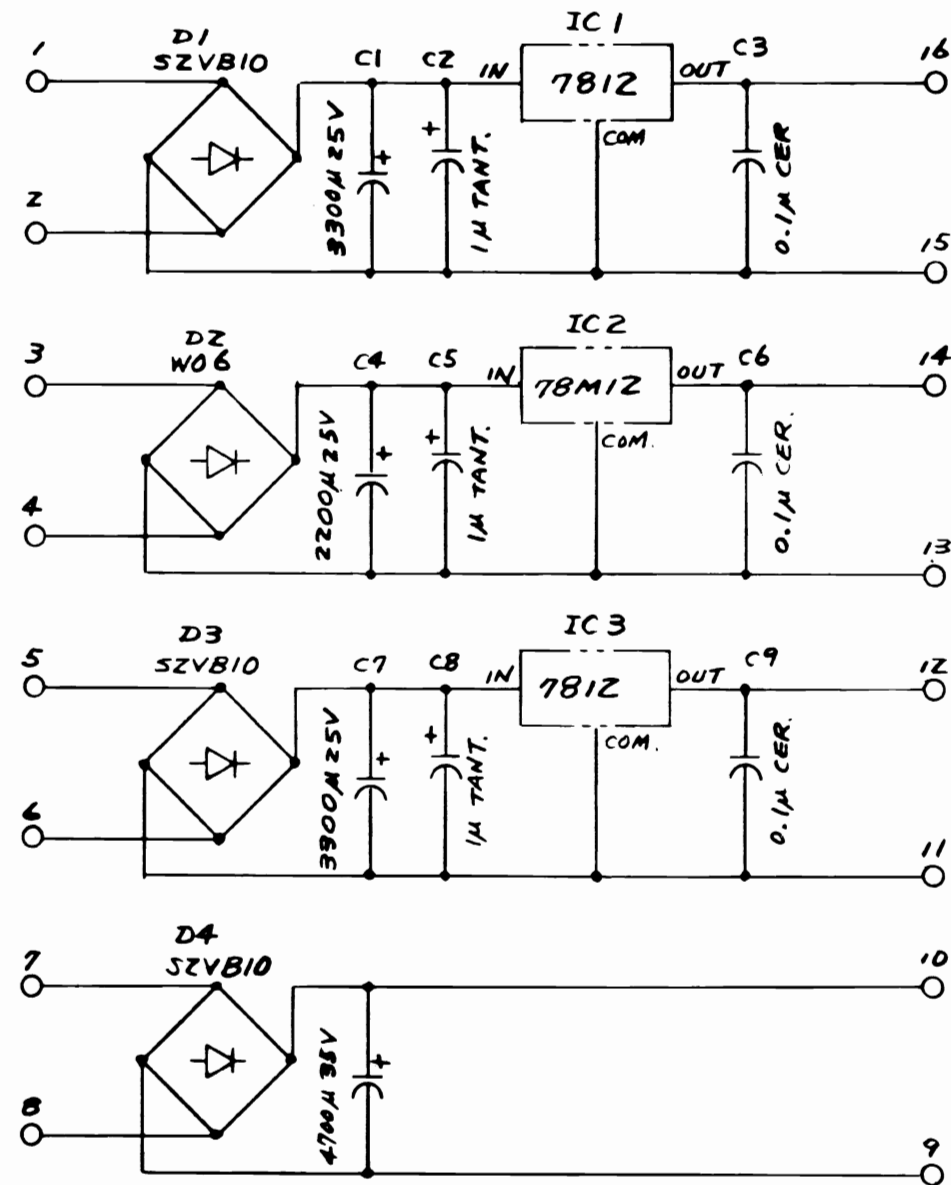
800-3312



Control Panel Assembly

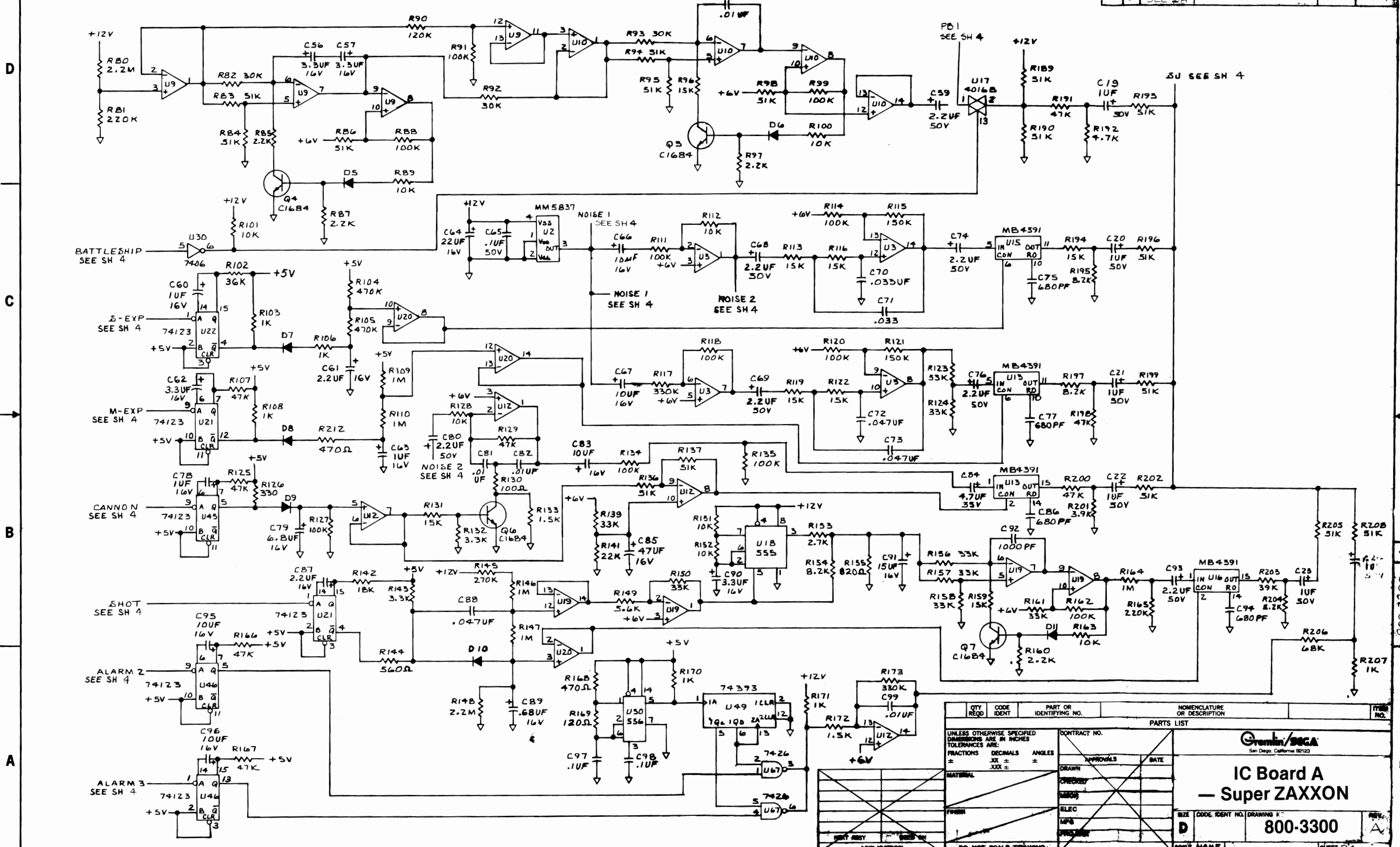
800-3296





8 7 6 5 4 3 2 1

ZONE	LTR	DESCRIPTION	DATE	APPROVED
-	SEE SH 1			



QTY	CODE	PART OR IDENTIFYING NO.	NOMENCLATURE OR DESCRIPTION	ITEM NO.

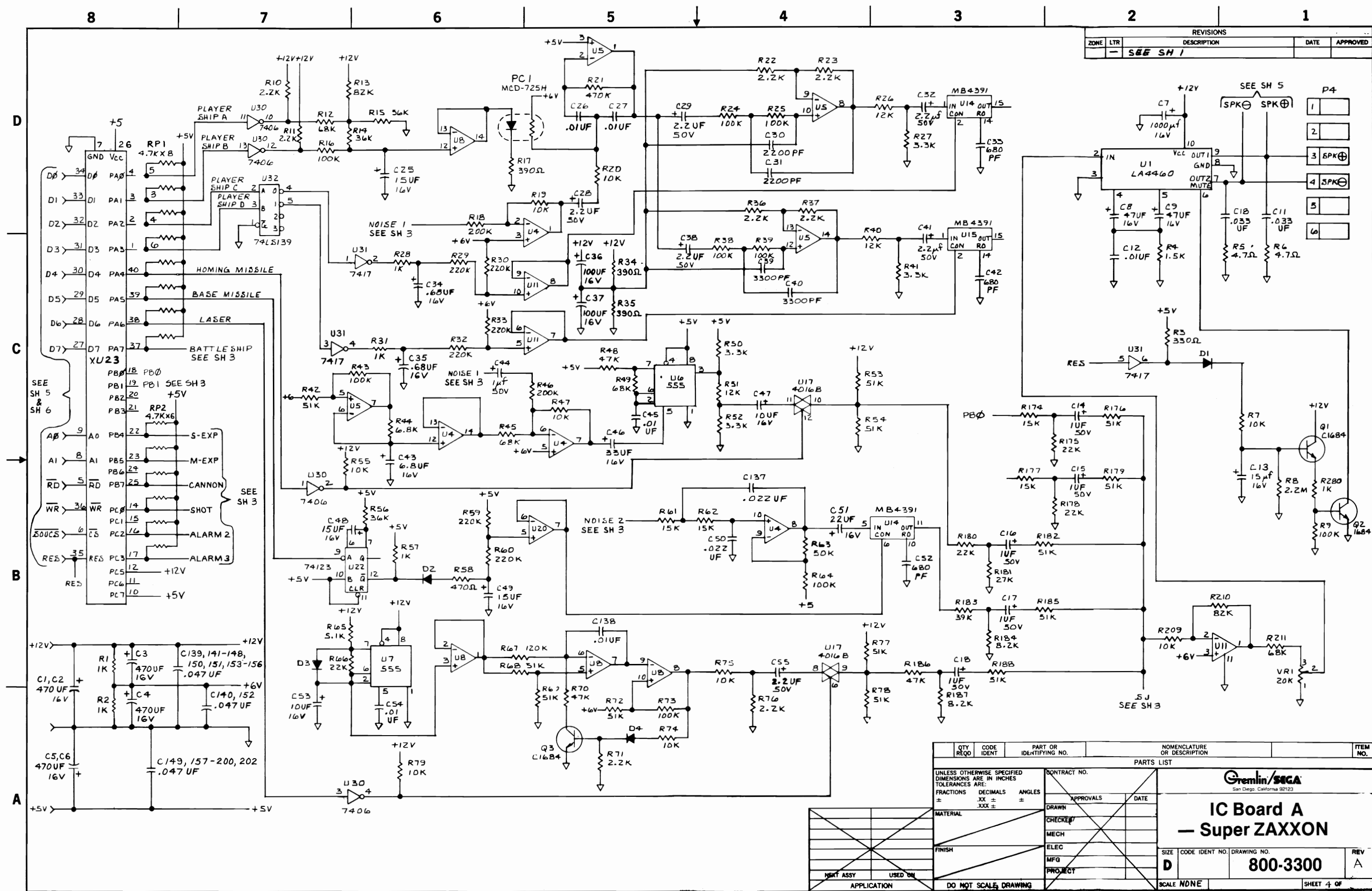
PARTS LIST		CONTRACT NO.	
UNLESS OTHERWISE SPECIFIED DIMENSIONS ARE IN INCHES TOLERANCES ARE:			
FRACTIONS	DECIMALS	ANGLES	
±	.XX ±	±	
	.XXX ±		

APPROVALS	DATE

IC Board A	
— Super ZAXXON	
SIZE	CODE IDENT NO. DRAWING NO.
D	800-3300

800-3300

REVISIONS			
ZONE	LTR	DESCRIPTION	DATE
-	SEE SH 1		



QTY REQD	CODE IDENT	PART OR IDENTIFYING NO.	NOMENCLATURE OR DESCRIPTION	ITEM NO.
PARTS LIST				
UNLESS OTHERWISE SPECIFIED DIMENSIONS ARE IN INCHES TOLERANCES ARE:				
FRACTIONS	DECIMALS	ANGLES		
±	.XX ±	±		
		.XXX ±		
MATERIAL		CONTRACT NO.		
FINISH		APPROVALS		
MKT ASSY		DATE		
USED ON		DRAWN		
APPLICATION		CHECKED		
		MECH		
		ELEC		
		MFG		
		PROJECT		
		SCALE NDNE		

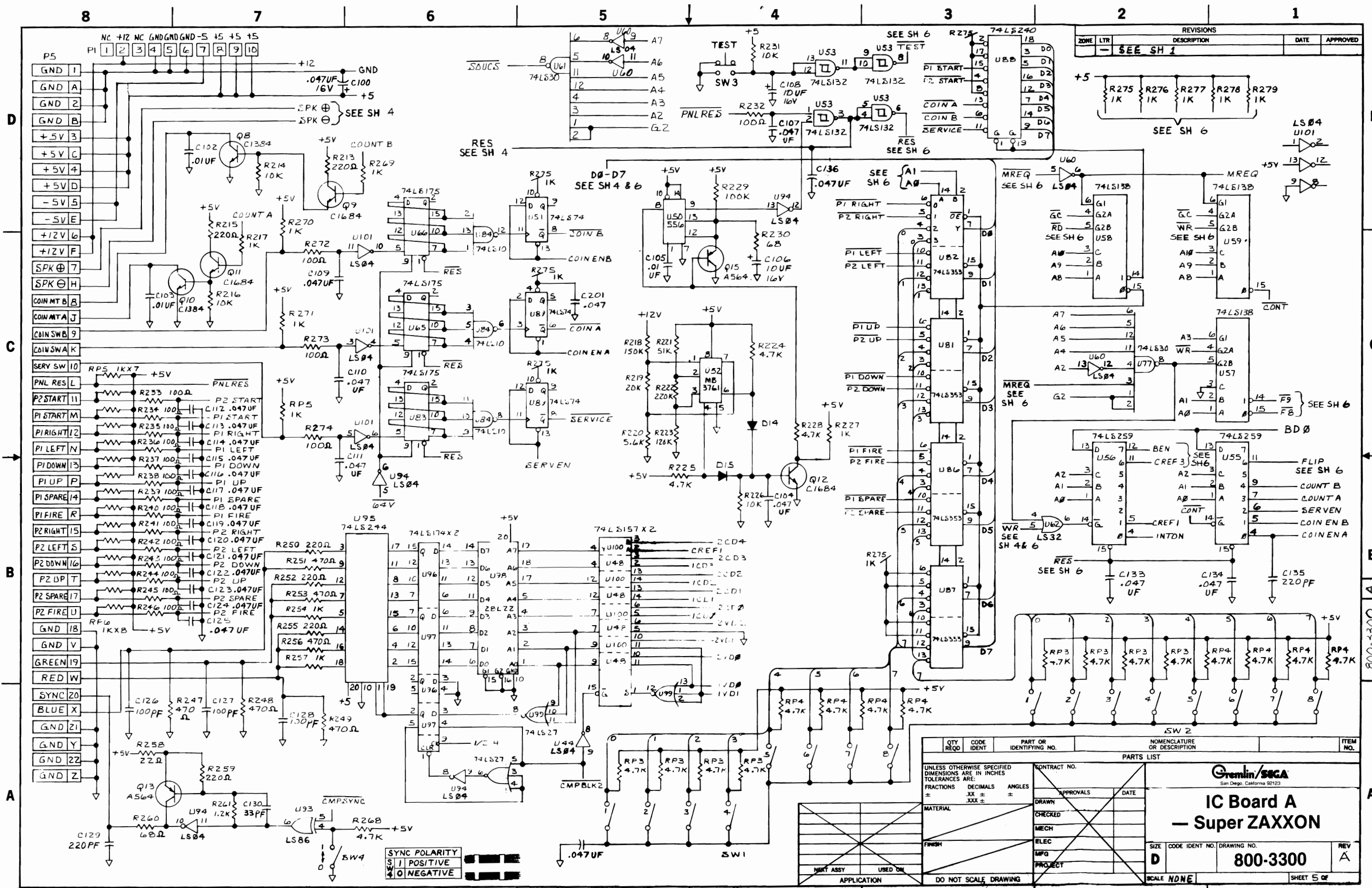
Gremlin/SEGA
San Diego, California 92123

IC Board A — Super ZAXXON

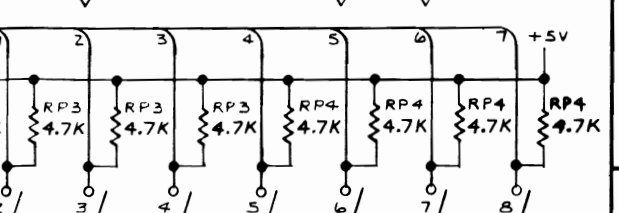
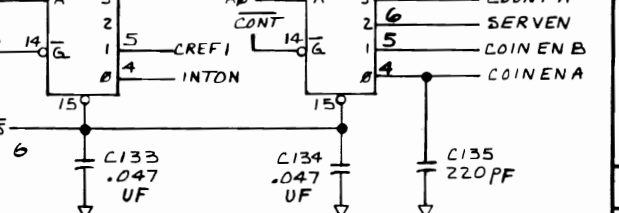
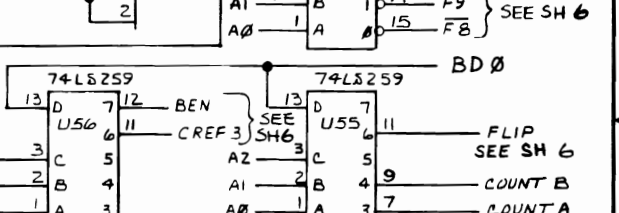
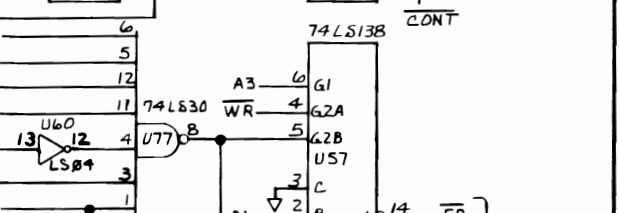
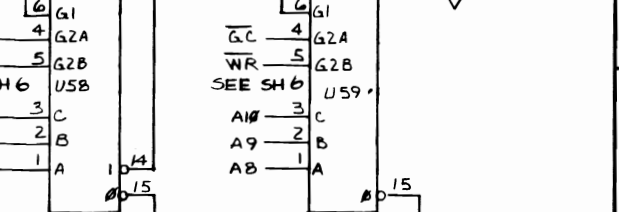
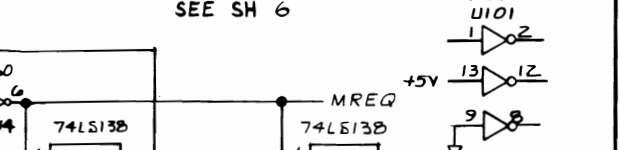
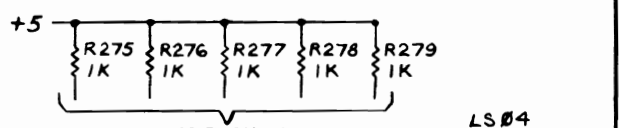
SIZE CODE IDENT NO. DRAWING NO.
D 800-3300

REV **A**

SCALE NDNE SHEET 4 OF



REVISIONS			
ZONE	LTR	DESCRIPTION	DATE
-	SEE SH 1		



QTY REQD	CODE IDENT	PART OR IDENTIFYING NO.	NOMENCLATURE OR DESCRIPTION	ITEM NO.

UNLESS OTHERWISE SPECIFIED DIMENSIONS ARE IN INCHES TOLERANCES ARE:

FRACTIONS	DECIMALS	ANGLES
±	±	±

CONTRACT NO. _____

APPROVALS _____ DATE _____

DRAWN _____

CHECKED _____

MECH _____

ELEC _____

MPG _____

PROJECT _____

SCALE NONE

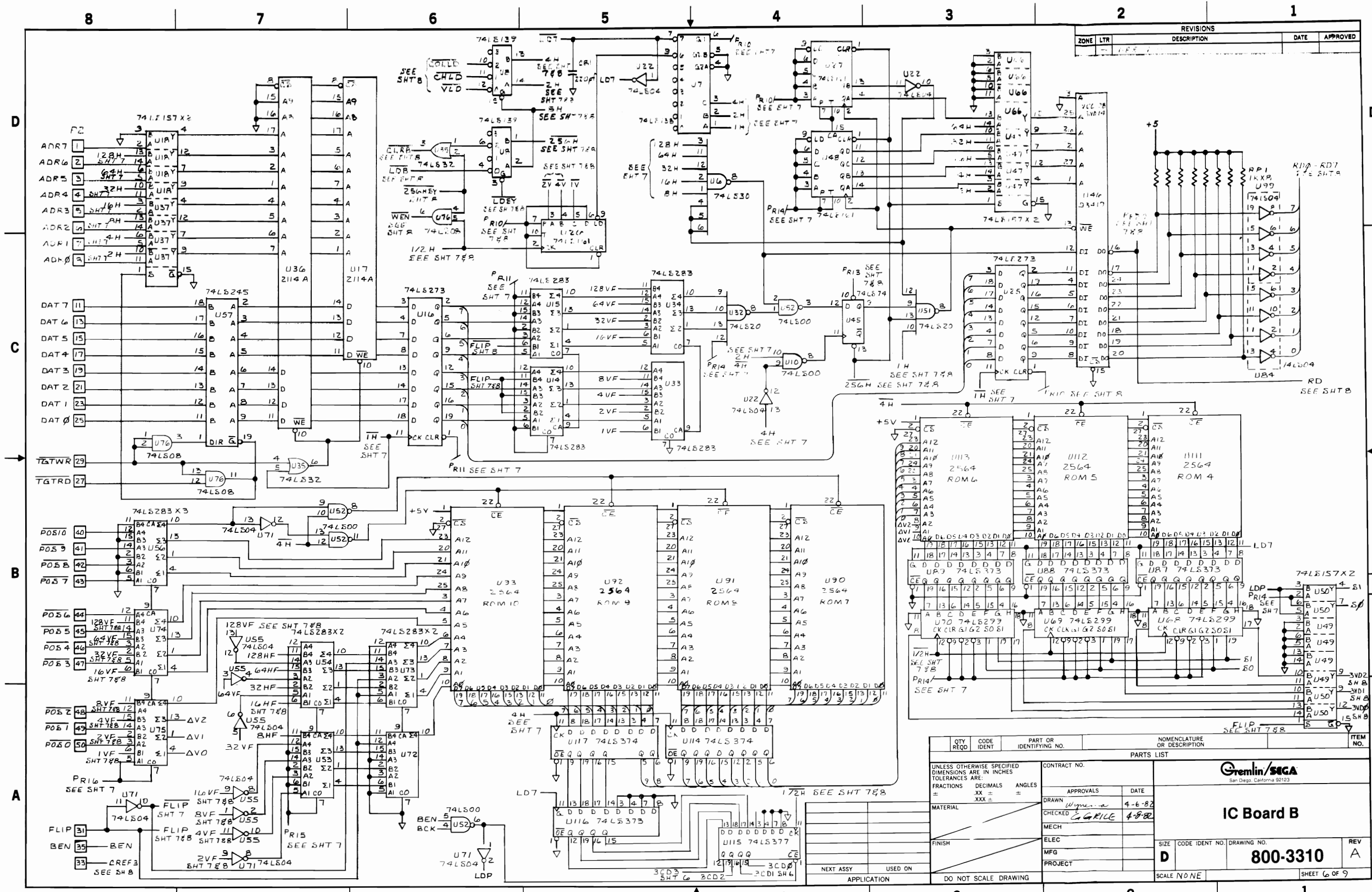
SIZE CODE IDENT NO. DRAWING NO. **800-3300**

REV **A**

SHEET 5 OF _____



REVISIONS				
ZONE	LTR	DESCRIPTION	DATE	APPROVED
1				



QTY REQD	CODE IDENT	PART OR IDENTIFYING NO.	NOMENCLATURE OR DESCRIPTION	ITEM NO.

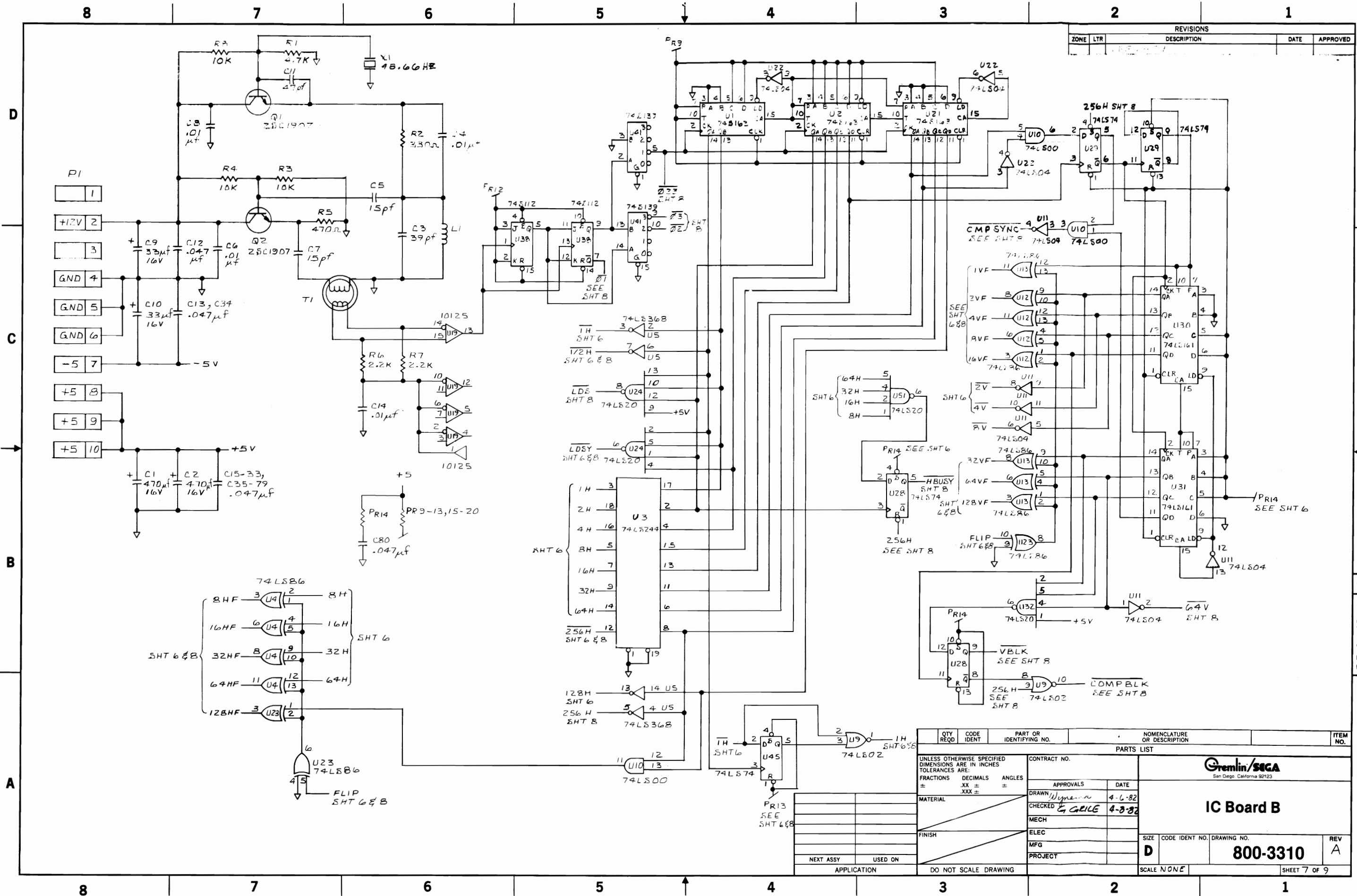
PARTS LIST		APPROVALS		DATE
UNLESS OTHERWISE SPECIFIED DIMENSIONS ARE IN INCHES TOLERANCES ARE:		DRAWN		4-6-82
FRACTIONS		CHECKED		4-9-82
DECIMALS		MECH		
ANGLES		ELEC		
±		MFG		
XXX ±		PROJECT		

SIZE	CODE IDENT NO.	DRAWING NO.	REV
D		800-3310	A

SCALE	NONE	SHEET	6 OF 9

B34-0211 A

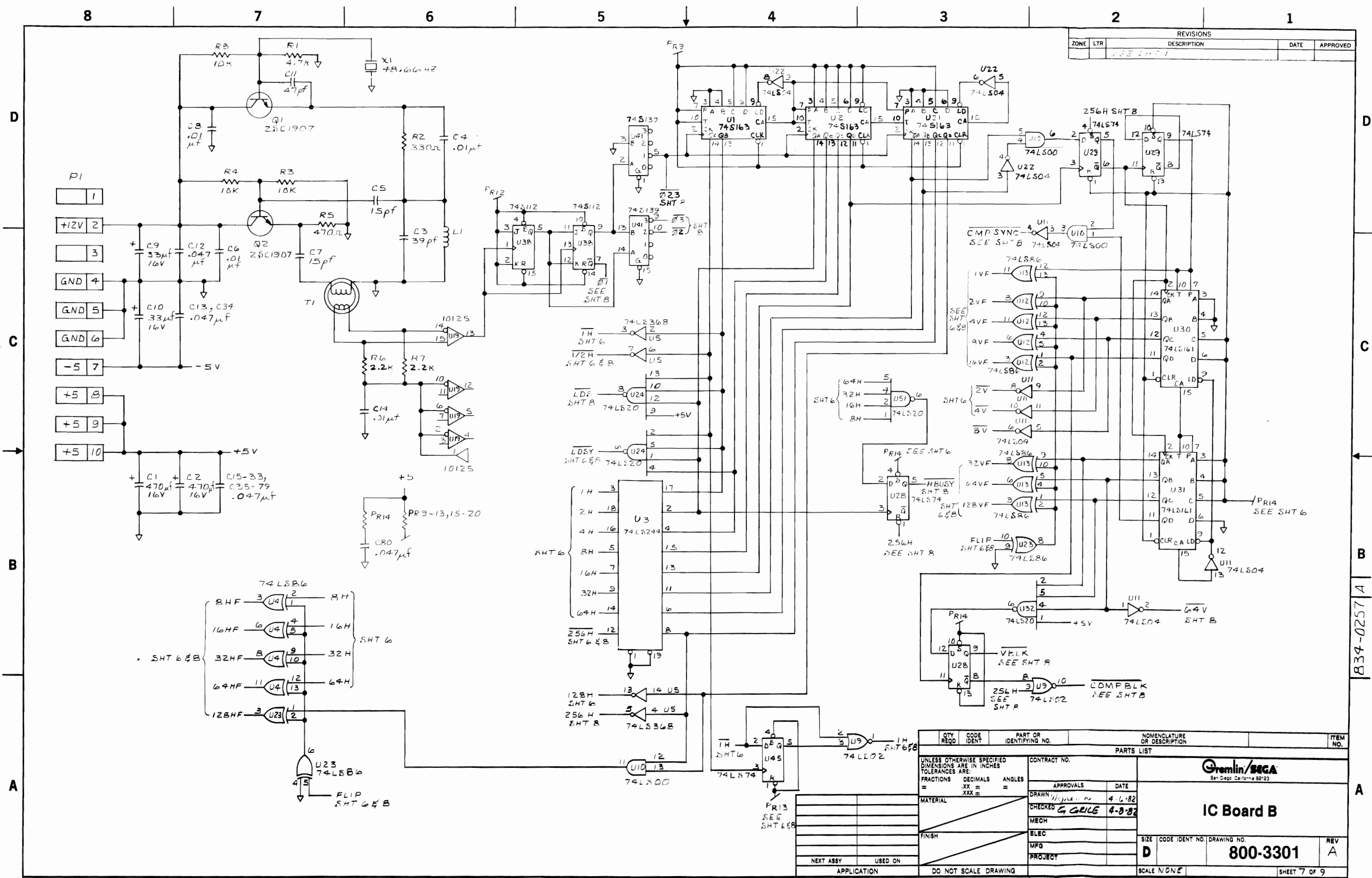
REVISIONS				
ZONE	LTR	DESCRIPTION	DATE	APPROVED



PARTS LIST		NOMENCLATURE OR DESCRIPTION		ITEM NO.
QTY REQD	CODE IDENT	PART OR IDENTIFYING NO.		
UNLESS OTHERWISE SPECIFIED DIMENSIONS ARE IN INCHES TOLERANCES ARE:				
FRACTIONS	DECIMALS	ANGLES		
±	.XX ±	±		
	.XXX ±			
MATERIAL		CONTRACT NO.		
FINISH		APPROVALS		
NEXT ASSY		DATE		
USED ON		DRAWN <i>W. G. GILE</i>		
APPLICATION		CHECKED <i>W. G. GILE</i>		
DO NOT SCALE DRAWING		MECH		
		ELEC		
		MFG		
		PROJECT		
		SIZE CODE IDENT NO. DRAWING NO.		
		D 800-3310		
		REV A		
		SCALE NONE		
		SHEET 7 OF 9		

B34-0211 A

REVISIONS				
ZONE	LTR	DESCRIPTION	DATE	APPROVED
		SEE SHT 1		

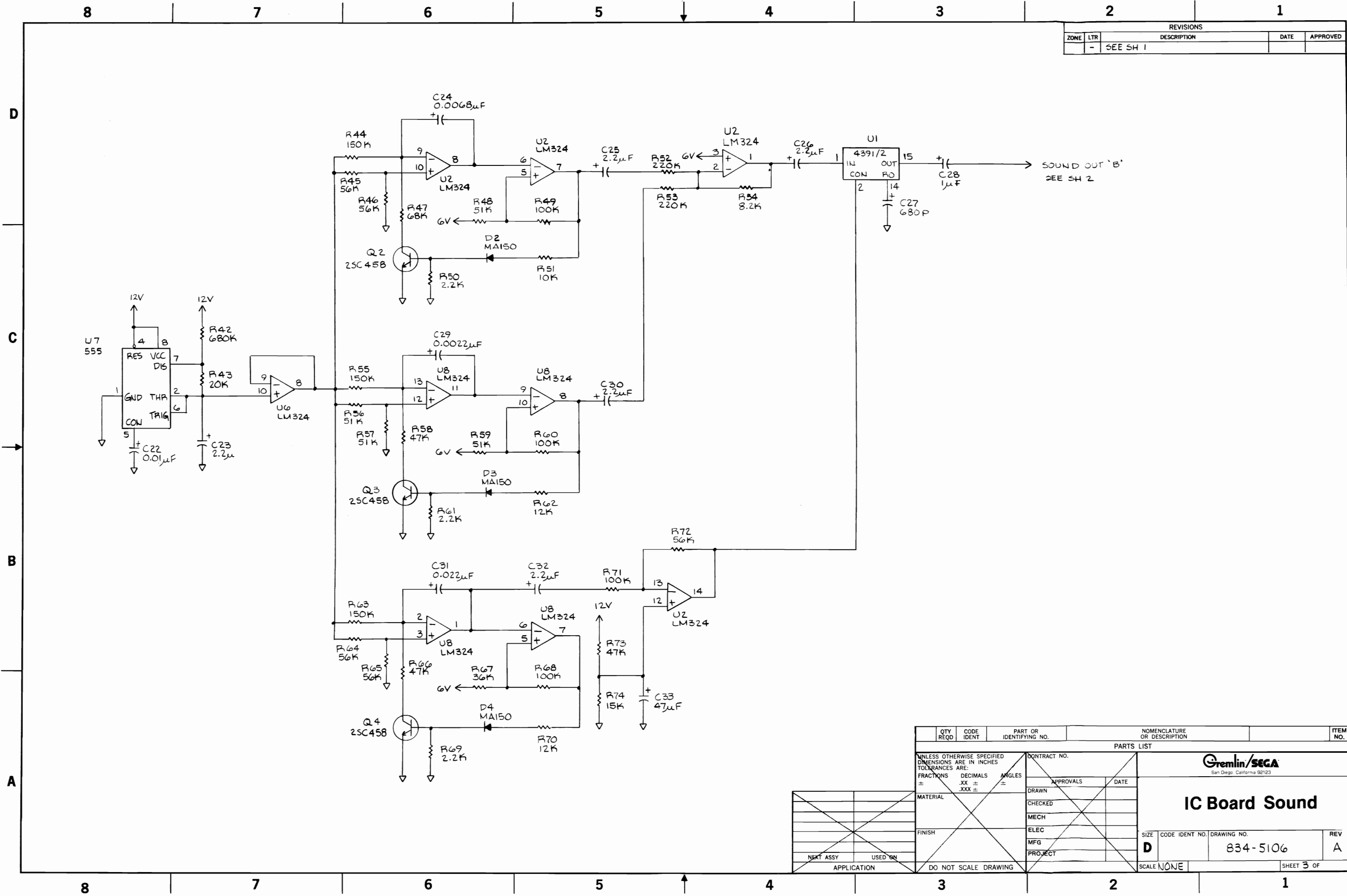


QTY REQD	CODE IDENT	PART OR IDENTIFYING NO.	NOMENCLATURE OR DESCRIPTION	ITEM NO.
PARTS LIST				
UNLESS OTHERWISE SPECIFIED DIMENSIONS ARE IN INCHES TOLERANCES ARE:		CONTRACT NO.		
FRACTIONS	DECIMALS	ANGLES	APPROVALS	
=	=	=	DATE	
MATERIAL		DRAWN <i>[Signature]</i> 4-6-82		
FINISH		CHECKED <i>[Signature]</i> 4-8-82		
NEXT ASSY		USED ON		
APPLICATION		DO NOT SCALE DRAWING		
		MECH		
		ELEC		
		MFG		
		PROJECT		
		SIZE CODE IDENT NO. DRAWING NO.		
		D 800-3301		
		SCALE NONE		
		SHEET 7 OF 9		

834-0257 A

A

REVISIONS				
ZONE	LTR	DESCRIPTION	DATE	APPROVED
-	-	SEE SH 1		

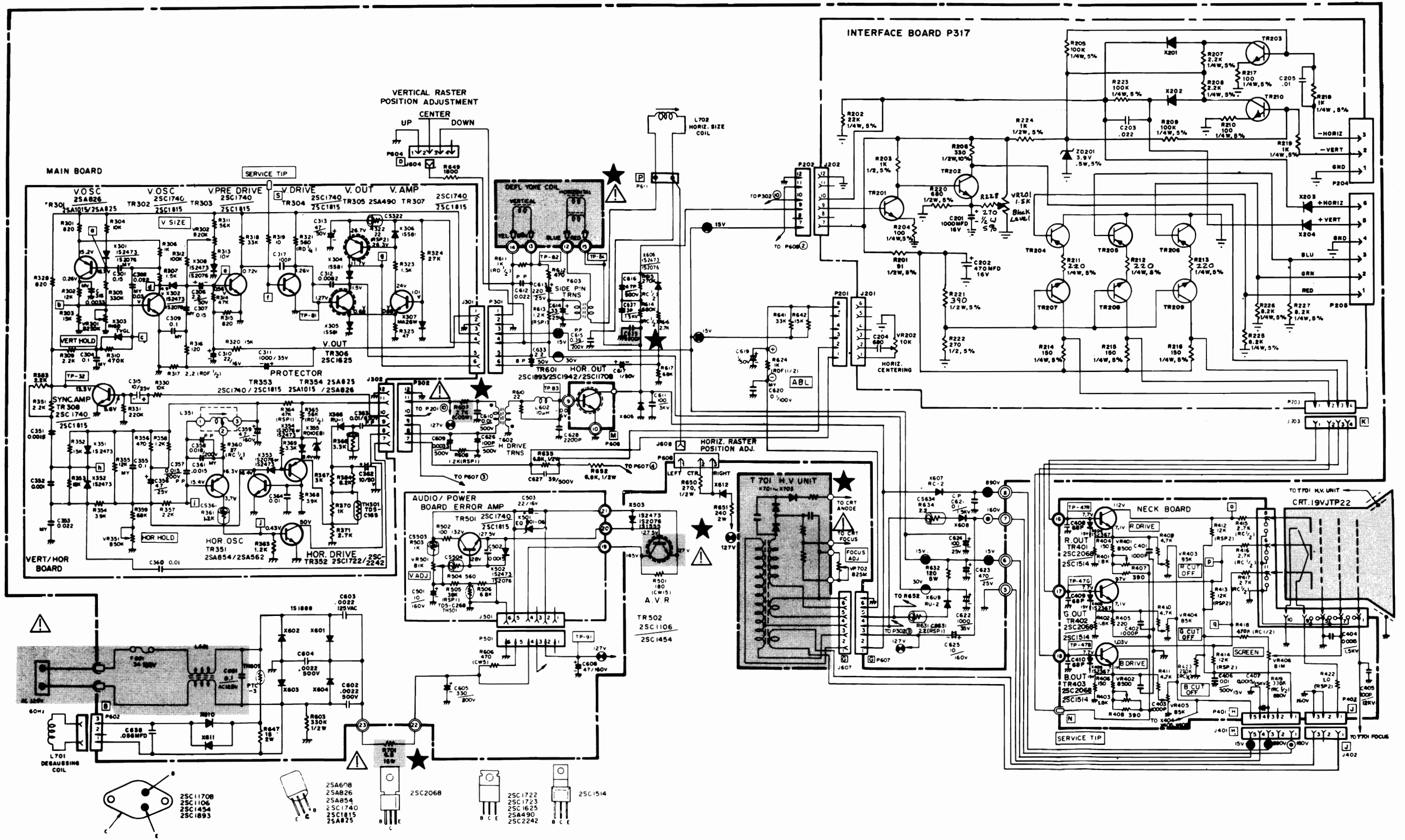


QTY REQD	CODE IDENT	PART OR IDENTIFYING NO.	NOMENCLATURE OR DESCRIPTION	ITEM NO.
PARTS LIST				
UNLESS OTHERWISE SPECIFIED DIMENSIONS ARE IN INCHES TOLERANCES ARE:		CONTRACT NO.		
FRACTIONS ±	DECIMALS .XX ±	ANGLES ±	APPROVALS	DATE
MATERIAL			DRAWN	
FINISH			CHECKED	
			MECH	
			ELEC	
			MFG	
			PROJECT	
SCALE	NONE		SHEET 3 OF	

Gremlin/SEGA
San Diego, California 92123

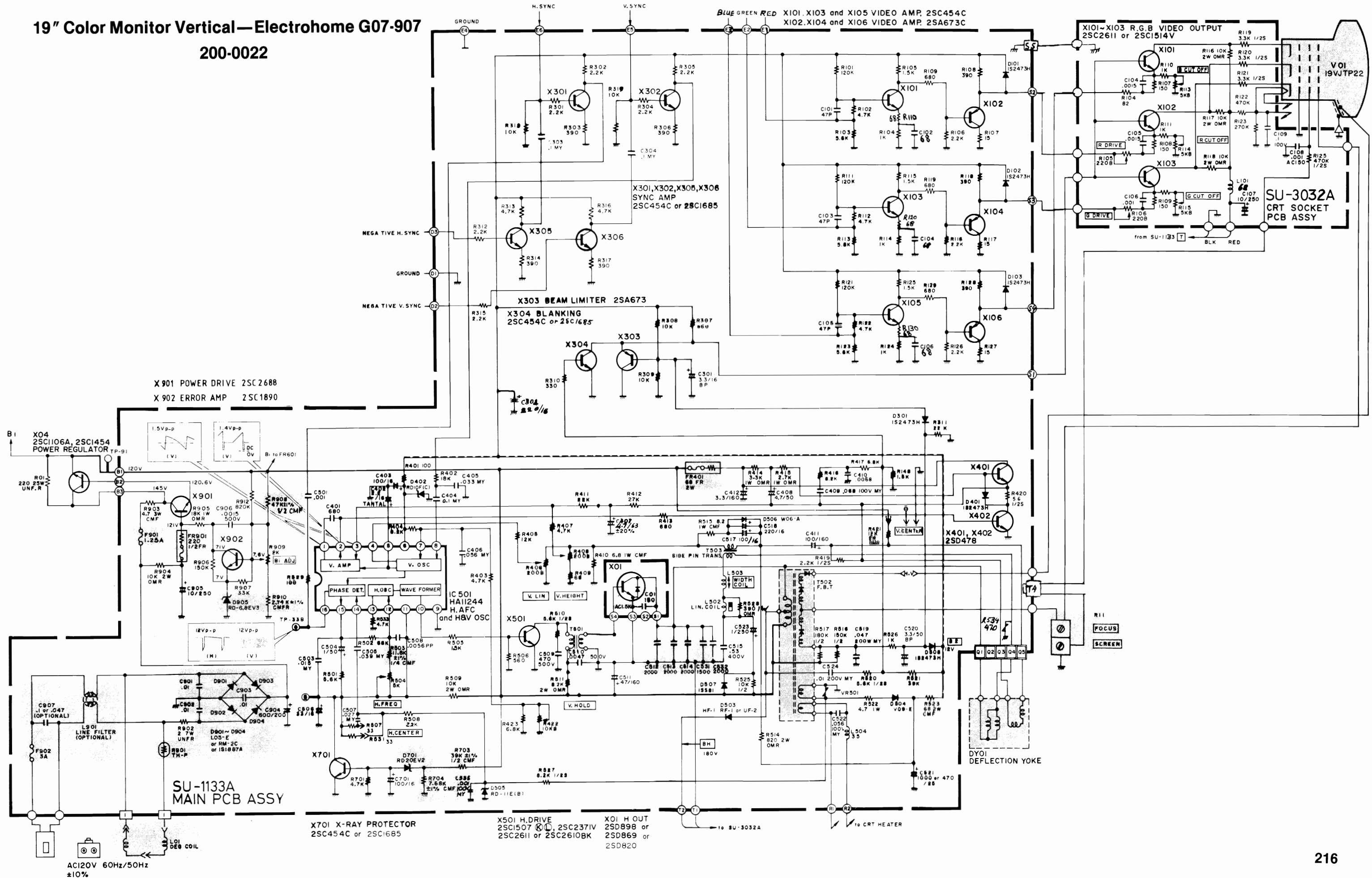
IC Board Sound

SIZE **D** CODE IDENT NO. DRAWING NO. **834-5106** REV **A**

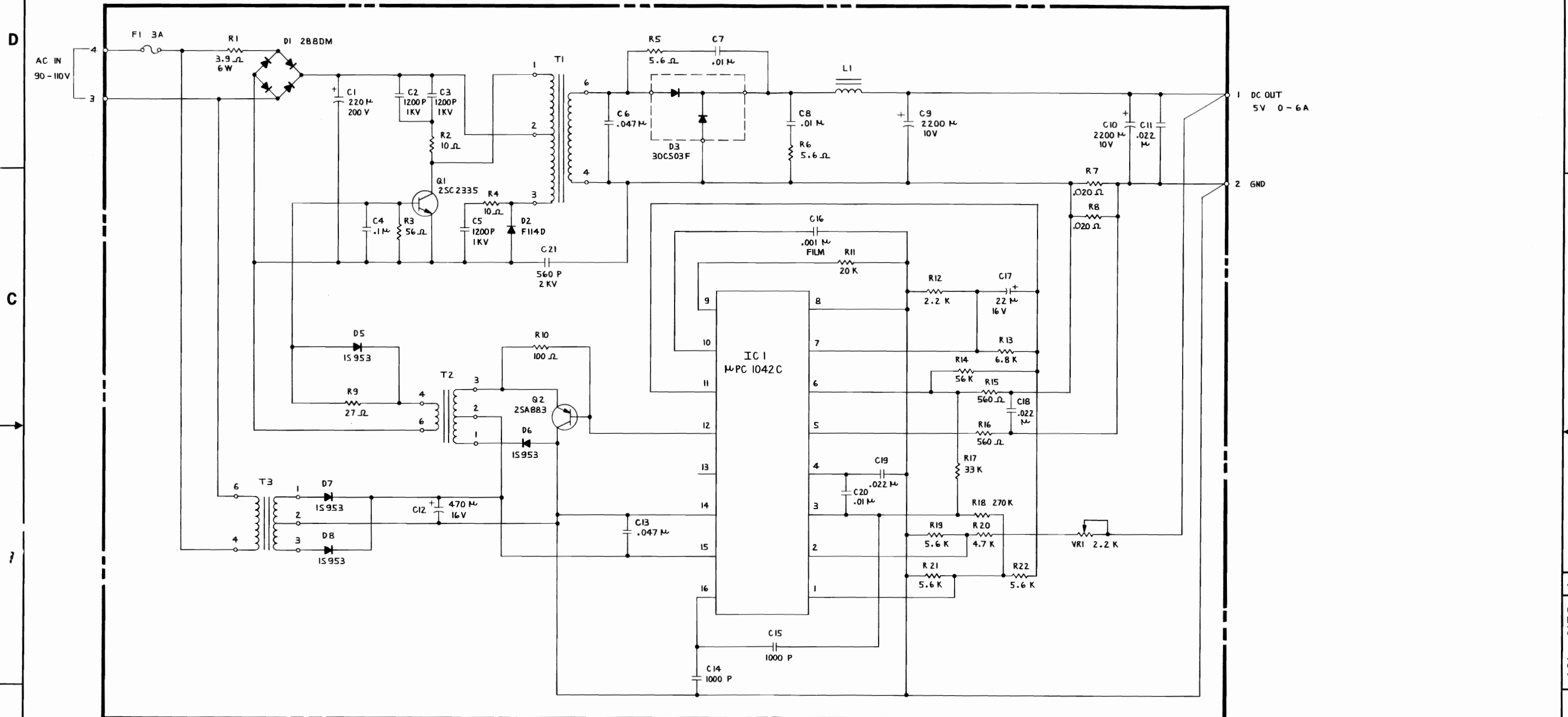


19" Color Monitor Vertical—Electrohome G07-907

200-0022



REVISIONS				
ZONE	LTR	DESCRIPTION	DATE	APPROVED
A		RELEASED	8-18-81	Valent



1. R7, R8 AS REQUIRED OTHERWISE USE JUMPER WIRE.

NOTES :

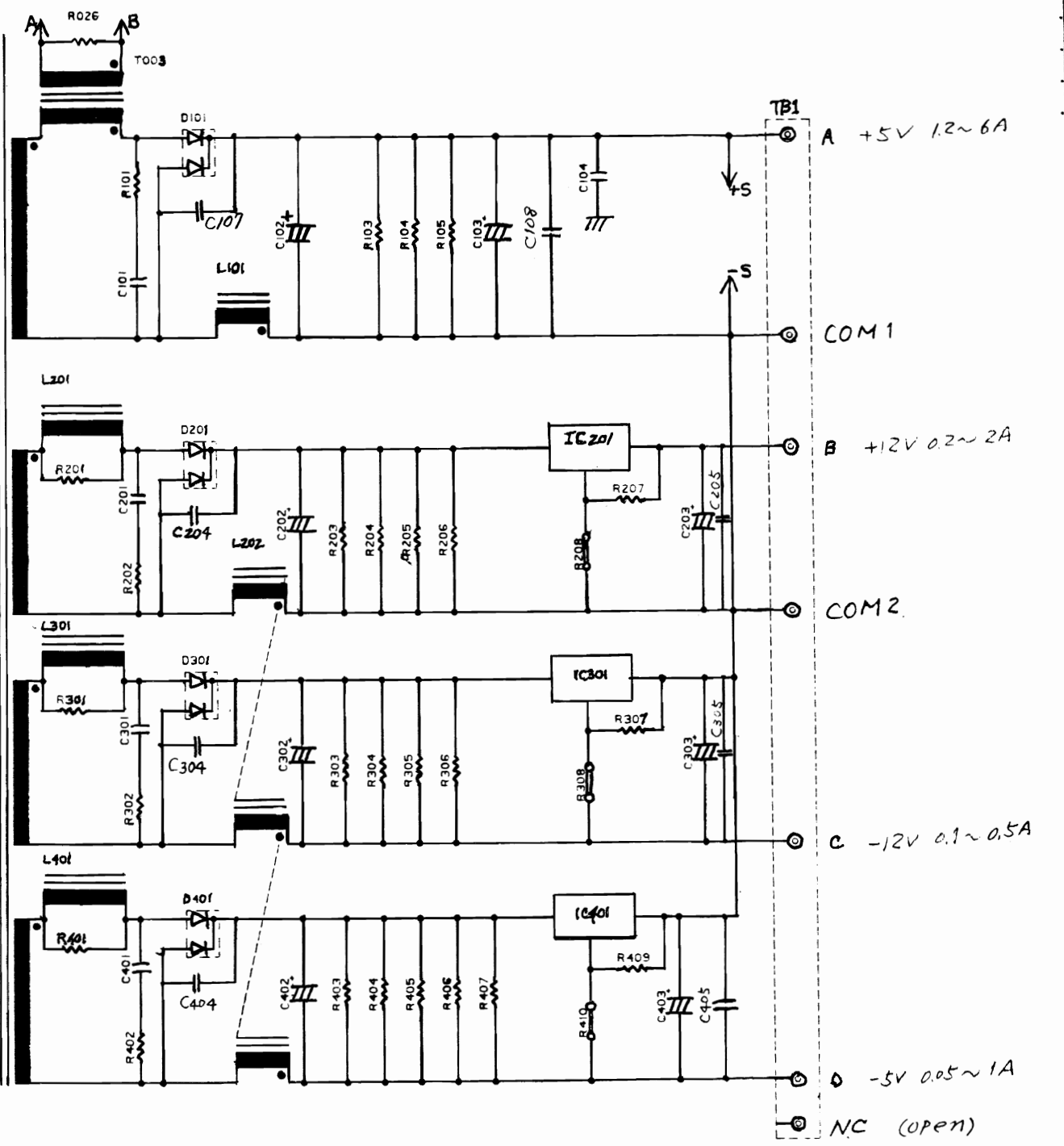
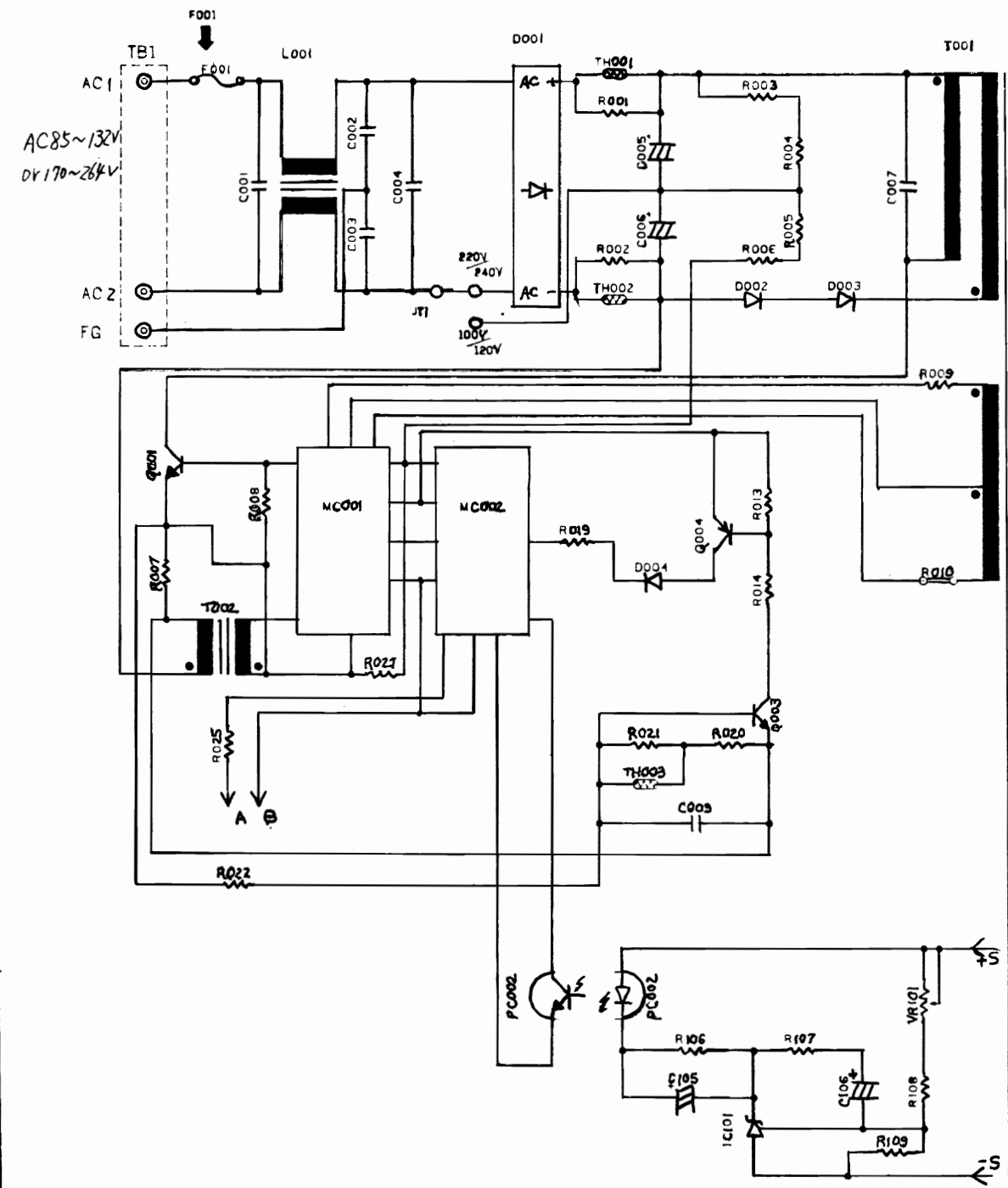
QTY REQD	CODE IDENT	PART OR IDENTIFYING NO.	NOMENCLATURE OR DESCRIPTION	ITEM NO.
PARTS LIST				
UNLESS OTHERWISE SPECIFIED DIMENSIONS ARE IN INCHES TOLERANCES ARE:		CONTRACT NO.		
FRACTIONS	DECIMALS	ANGLES	San Diego, California 92123	
±	.XX ±	±		
MATERIAL		APPROVALS		
FINISH		DATE		
NEXT ASSY		DRAWN SON DUONG 8-17-81		
USED ON		CHECKED G. GRICE 8-17-81		
APPLICATION		MECH		
DO NOT SCALE DRAWING		ELEC		
SCALE NONE		MFG		
SHEET 1 OF 1		PROJECT		

Switching Regulator

601-0158

601-0158

普通寸法表	符号	年月日	改	計	圖	番	記	印	検
	△	•	•						
	△	•	•						



記号	(品名、部品図番またはコード番号)	材質・寸法	数量	処	用	部	番
Switching Regulator							
601-0770							

WE WELCOME YOUR COMMENTS!

Your comments and suggestions will assist us in improving the usefulness of our publications. They are an integral part of preparing for revisions of manuals and parts catalogs.

If you have any technical questions about any SEGA game, are requesting additional publications, or have a suggestion about how we can make our publications more useful to you, drop us a line or use the handy form below. WE VALUE YOUR INPUT!

Comments:

Please fill in if you wish a reply:

Your Name _____ Distributor

Your Firm's Name _____ Operator

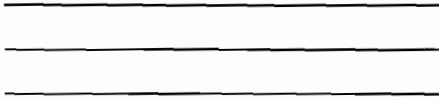
Firm's Address _____

City _____ State _____ Zip _____

Area Code _____ Telephone Number _____

Super ZAXXON™

First Fold



NO POSTAGE
NECESSARY
IF MAILED
IN THE
UNITED STATES

BUSINESS REPLY MAIL

FIRST CLASS PERMIT NO. 10129 SAN DIEGO, CALIFORNIA

POSTAGE WILL BE PAID BY ADDRESSEE

SEGA
16250 Technology Drive
San Diego, California 92127

Attn: Customer Service



Second Fold



DPA PRINTING CO., INC.

7257 Ranson Road • San Diego, California 92111

(619) 565-7494