



HORIZONTAL MONITOR KIT

TWO PLAYER



M.I.A. ACTION™

The title "M.I.A. ACTION" is rendered in a large, bold, black, stylized font. The letters are interconnected and have a jagged, hand-drawn appearance. A small, square, black and white illustration of a character's face is positioned above the letter 'A'.

INSTRUCTION MANUAL

 **KONAMI**® is a trademark of Konami Industry Co., Ltd.

 **M.I.A.** is a registered trademark of Konami, Inc. ©1988 Konami Inc.

M.I.A. KIT CONTENTS

Quantity	Part #	Description
1	808003	M.I.A. PCB
1	808100	Control Panel Overlay
1	808200	Marquee Styrene
2	808300	Side Decals
1	30304	Red Joy Stick
1	30305	Blue Joy Stick
2	30111	White Button
2	30112	Blue Button
4	30110	Red Button
8	30250	Palnuts
8	30202	Switch Holders
1	870400	Manual
1	40903	Kit Harness
1	40605	FCC Cage
1	40310	Clear Plexiglass Marquee

★ ★ ★ IMPORTANT NOTICE ★ ★ ★

The Japanese Amusement Machine Manufacturers Association (JAMMA) has introduced a new standard in video game P.C.B's. It was decided that all new products from any JAMMA member will use the same pin print-out on the edge connector. The edge connector will have 56 pin outs, 28 per side.

Konami Inc. will offer a 56 to 36 pin adaptor P.C.B. available through your distributor. This new adaptor P.C.B. will enable the new 56 pin out to adapt to Konami's old standard 36 pin out.

PUTTING YOUR BEST GAME FORWARD

PREPARATION:

For best results, all old graphics should be removed completely from the cabinet. "Stick-on" graphics can be removed by using a hairdryer or hot air device. The heat from the dryer will loosen the adhesive, allowing you to easily peel them off—any adhesive residue can be cleaned off with acetone and a soft dry cloth. (DO NOT USE ACETONE ON SURFACES PAINTED WITH FLAT PAINT.)

TOOLS YOU NEED:

1. Foaming Aerosol (such as "Windex").
2. Soft Squeegee.
3. X-Acto Knife.

SIDE PANEL DECALS

1. Spray area of cabinet where Side Panel decals are to be applied with foaming aerosol or a mild soap solution.
2. Remove protective backing from decals.
3. Position decals into place.
4. With a soft squeegee, beginning from the center of the decal, slowly and evenly press out excess foam until you achieve a smooth finish.
5. Allow to set approximately 2 to 3 hours before handling. Maximum adherence is achieved in 48 to 72 hours.

6. Trim side decal to fit your cabinet.

CONTROL PANEL OVERLAY:

1. Refer to Recommended Control Panel Layout on page 1.
2. Drill any new holes needed.
3. Plug any holes that will not be used. (A permanent epoxy-filler works well for this step.)
4. Pre-position the overlay prior to removing the backing.
5. Slowly apply the overlay — inch by inch on the control panel, removing the backing as you apply it.
6. Once it's in place, by using an X-Acto knife, cut around the button and joystick placements.

INSTRUCTION/BUTTON DECALS:

Apply the Player Instruction, Button and 1 Player/2 Player decals in their respective positions. Apply pressure liberally. Allow to set as long as possible before putting game on location.

NOTE: Maximum adherence is achieved in 48 to 72 hours.

MARQUEE

(WEAR PROTECTIVE GLASSES WHILE TRIMMING MARQUEE)

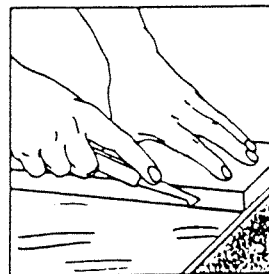
1/8" Acrylic Marquee should be cut to fit your game. DO NOT remove protective mask until this is done.

One way of cutting your Marquee is as follows: (Be sure to protect painted side of Marquee from any surface which may scratch or mar finish).

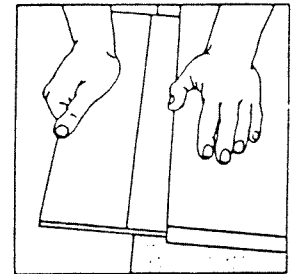
CUTTING WITH A KNIFE OR SCRIBER:

Acrylic sheet up to 3/16" thick may be cut by a method similar to that used for cutting window glass. Use a scriber of some kind — a scribing knife such as the one pictured, a metal scriber, an awl, or even a sturdy craft knife — to score the sheet. Draw the scriber several times (7 or 8 times for a 3/16" thick piece) along a straight edge held firmly in place. It is best not to remove the protective masking. Make the cuts carefully using firm, even pressure. For best results make each stroke cleanly off the edge of the sheet.

Then clamp the acrylic sheet or hold it rigidly under a straight edge with the scribe mark hanging just over the edge of a table. Protect your hands with a cloth, and apply a sharp downward pressure to the other side of the sheet. It will break along the scratch. Scrape the edges to smooth any sharp corners. This method is not recommended for long breaks or thick material.



Always draw the scribing knife along a straight edge.



Break sheet over edge of table after scribing.

P.C.B. CAGE INSTALLATION

Konami, Inc. now supplies a new style P.C.B. cage which is superior to old style cages because of ease of installation. The cage is made of a 32 point stem-stock which is fire retardant.

TO INSTALL THE CAGE:

1. Open cage bottom and secure to desired P.C.B. position.
2. Install printed circuit board inside cage using wood screws, screwed through the cage bottom into cabinet side.
3. Close the cage over printed circuit board and secure with latch on cage.

M.I.A. WIRING HARNESS

WIRE COLOR KEY:

Solder Side ← → Parts Side

Solder Side		Parts Side			
BLACK	GND	A	1	GND	BLACK
BLACK	GND	B	2	GND	BLACK
RED	+5V DC	C	3	+5V DC	RED
RED	+5V DC	D	4	+5V DC	RED
GREEN	NOT USED	E	5	NOT USED	GREEN
ORANGE	+12V DC	F	6	+12V DC	ORANGE
	*KEY	H	7	*KEY	
BROWN/YELLOW	COIN COUNTER 2	J	8	COIN COUNTER 1	GREEN/GRAY
	(EMPTY)	K	9	(EMPTY)	
WHITE/BROWN	SPEAKER	L	10	SPEAKER	YELLOW/GRAY
	(EMPTY)	M	11	(EMPTY)	
WHITE/GREEN	VIDEO GREEN	N	12	VIDEO RED	RED/WHITE
WHITE	VIDEO SYNC	P	13	VIDEO BLUE	BLUE/WHITE
RED/YELLOW	SERVICE SW	R	14	VIDEO GROUND	BLACK
	(EMPTY)	S	15	(EMPTY)	
VIOLET/WHITE	COIN 2	T	16	COIN 1	BLUE/BROWN
RED/GREEN	2P START	U	17	1P START	PINK/YELLOW
BLUE/YELLOW	2P UP	V	18	1P UP	ORANGE/WHITE
VIOLET/YELLOW	2P DOWN	W	19	1P DOWN	BLACK/WHITE
ORANGE/GREEN	2P LEFT	X	20	1P LEFT	RED/GRAY
ORANGE/YELLOW	2P RIGHT	Y	21	1P RIGHT	GRAY/WHITE
BLACK/YELLOW	2P KNIFE	Z	22	1P KNIFE	PINK/WHITE
ORANGE/GRAY	2P WEAPON	a	23	1P WEAPON	GREEN/BROWN
BROWN/WHITE	2P WEAPON SELECT	b	24	1P WEAPON SELECT	RED/BROWN
GREEN/YELLOW	NOT USED	c	25	NOT USED	WHITE/BLACK
BLUE/GRAY	NOT USED	d	26	NOT USED	WHITE/VIOLET
BLACK	GND	e	27	GND	BLACK
BLACK	GND	f	28	GND	BLACK

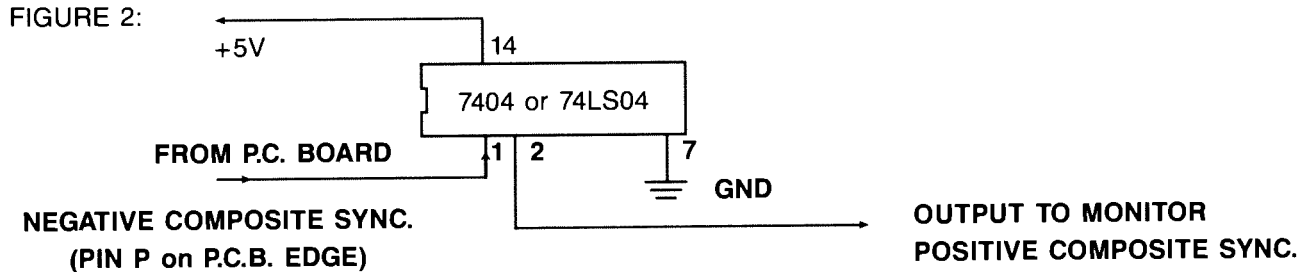
(BASE COLOR/LINE COLOR)

M.I.A. TECHNICAL INFORMATION

M.I.A. requires horizontally mounted monitor. It also generates composite negative sync. If your monitor is composite positive sync, you will have to change to composite negative sync.

To alternate composite positive sync to composite negative sync, use 7404 IC or 74LS04 IC. The signal on the output pin from the P.C.B. is a combination of H-sync and V-sync.

NOTE: Please refer to Figure 2.



(+5V and GND should be taken out of the P.C. Board.)

TROUBLE SHOOTING GUIDE

PROBLEM:	POSSIBLE SOLUTION
No Screen or Constant Reset	<ol style="list-style-type: none"> 1). Check +5V line at the P.C.B. Adjust if necessary. 2). Make sure all socketed eproms and custom IC's are seated securely. Apply light pressure to secure. 3). Check harness to be sure it is not on backwards.
No Sound	<ol style="list-style-type: none"> 1). Check +12V line at the P.C.B. 2). Make sure both speaker out wires are connected to the speakers. (DO NOT CONNECT A GROUND.)
Distorted Sound	<ol style="list-style-type: none"> 1). Replace cabinet speaker.
I/O Problem (coin 1 doesn't work or Joystick Up doesn't work, etc.)	<ol style="list-style-type: none"> 1). Do not hook a coin counter to the coin 1 or coin 2 outputs. This will cause damage. 2). Check your schematic for the 74LS253 IC that corresponds to your I/O problem. Check the appropriate pin with a scope or multimeter for a high output (5V), if output is low replace the 74LS253.

CAUTION

DO NOT WIRE COIN COUNTERS TO THE COIN 1 OR COIN 2 OUTPUTS. THIS WILL CAUSE DAMAGE TO THE I/O MICROCHIP 74LS253. COIN COUNTERS CAN ONLY BE WIRED TO COIN COUNTER OUTPUTS.

DIP SWITCH SETTINGS

DIP SWITCH NO. 1 SETTINGS

1. COIN SWITCH NO. 1 SETTINGS

SW	1	2	3	4	COIN	PLAY
○	OFF	OFF	OFF	OFF	1	1
	ON				1	2
	OFF	ON			1	3
	ON				1	4
○	OFF	OFF	ON	OFF	1	5
	ON				1	6
	OFF	ON			1	7
	ON				2	1
○	OFF	OFF	OFF	ON	2	3
	ON				2	5
	OFF	ON			3	1
	ON				3	2
○	OFF	OFF	ON	ON	3	4
	ON				4	1
	OFF	ON			4	3
	ON				FREEPLAY	

FREEPLAY: You can play games without coins.

2. COIN SWITCH NO. 2 SETTINGS

SW	5	6	7	8	COIN	PLAY
○	OFF	OFF	OFF	OFF	1	1
	ON				1	2
	OFF	ON			1	3
	ON				1	4
○	OFF	OFF	ON	OFF	1	5
	ON				1	6
	OFF	ON			1	7
	ON				2	1
○	OFF	OFF	OFF	ON	2	3
	ON				2	5
	OFF	ON			3	1
	ON				3	2
○	OFF	OFF	ON	ON	3	4
	ON				4	1
	OFF	ON			4	3
	ON				VOID	

DIP SWITCH NO. 2 SETTINGS

1. THE NUMBER OF PLAYER'S LIFE

SW	1	2	NUMBER
○	OFF	OFF	2
	ON		3
	OFF	ON	5
	ON		7

2. BONUS LIFE

SW	4	5	BONUS LIFE
○	OFF	OFF	AT 30,000 PTS AND THEN EVERY 80,000 PTS
	ON		AT 50,000 PTS AND THEN EVERY 100,000 PTS
○	OFF	ON	AT 50,000 PTS ONLY
	ON		AT 100,000 PTS ONLY

3. DIFFICULTY OF THE GAME

SW	6	7	DIFFICULTY
○	OFF	OFF	EASY
	ON		NORMAL
○	OFF	ON	DIFFICULT
	ON		VERY DIFFICULT

4. SOUND IN ATTRACTIVE MODE

SW	8	SOUND
○	OFF	OFF
	ON	ON

SW3 is not used.

DIP SWITCH NO. 3 SETTINGS

1. VIDEO SCREEN FLIP

SW	1	
○	OFF	NORMAL
	ON	UPSIDE DOWN

2. VRAM CHARACTER CHECK

SW	2	MODE
○	OFF	GAME
	ON	CHARACTER CHECK

3. CHANGE OF MODE

SW	3	MODE
○	OFF	GAME
	ON	TEST

SW4 is not used.

○ shows recommended settings.

MONITOR INFORMATION

SERVICE INSTRUCTIONS

NOTE: All monitors are equipped with automatic degaussing coils (L701) which demagnetize the picture tube every time the monitor is turned on after being off for a minimum of 5 minutes. Should any part of the chassis become magnetized it will be necessary to degauss the affected area with a manual degaussing coil. Move the coil slowly around the CRT face and all surrounding metal parts. Then slowly withdraw for a distance of 6 feet before turning off.

1.0 BLACK LEVEL CONTROL ADJUSTMENT

This control has been set at the factory and should not need further attention, however, when the game is connected a slight adjustment of VR201 may be necessary to obtain the proper black level (the black portion of the picture just extinguished).

2.0 VERTICAL SIZE (HEIGHT)

Location of this control is shown in Fig. 1. This control must be adjusted slowly, if necessary, until the picture or test pattern attains the correct vertical proportions.

3.0 CIRCUIT PROTECTION

A 4.0A pigtail fuse, mounted on the Main Board has been provided to protect the Power Output Circuit.

4.0 FOCUS

Adjust the focus control, located on the HV unit (T352), for maximum over-all definition and fine picture detail.

5.0 HORIZONTAL HOLD CONTROL ADJUSTMENT, VR351 (See Fig. 1)

A warm-up period of at least five minutes should be allowed before alignment is carried out. With the monitor being driven from the game signal, short TP601 to TP31. Adjust VR351 until the picture stops sliding horizontally. Remove the short.

6.0 HORIZONTAL VIDEO POSITION

If the video is off center on the raster some compensation can be made by adjusting this control.

7.0 VERTICAL RASTER POSITION ADJUSTMENT

If the video is off center vertically, (short dimension of picture tube) some compensation can be made by moving the vertical raster position adjustment jumper to either positions "U" or "D".

8.0 HORIZONTAL RASTER POSITION ADJUSTMENT

If the video is off center horizontally (long dimension of the picture tube) some compensation can be made by moving the horizontal raster position adjustment jumper to either positions "R" or "L".

9.0 HORIZONTAL WIDTH ADJUSTMENT

The horizontal width coil is a hexagonal tuning tool adjustment. This control must be adjusted slowly, if necessary, until the picture or test pattern attains the correct horizontal proportions.

* KONAMI GAMES ARE ALL NEGATIVE COMPOSITE SYNC. USE THE THREE PIN CONNECTOR ON THE MONITOR.

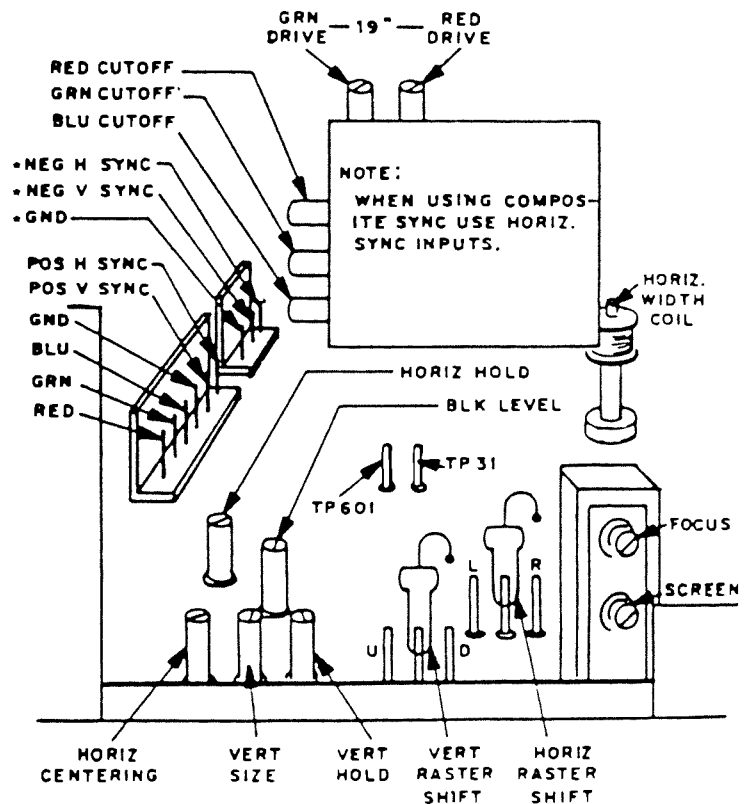
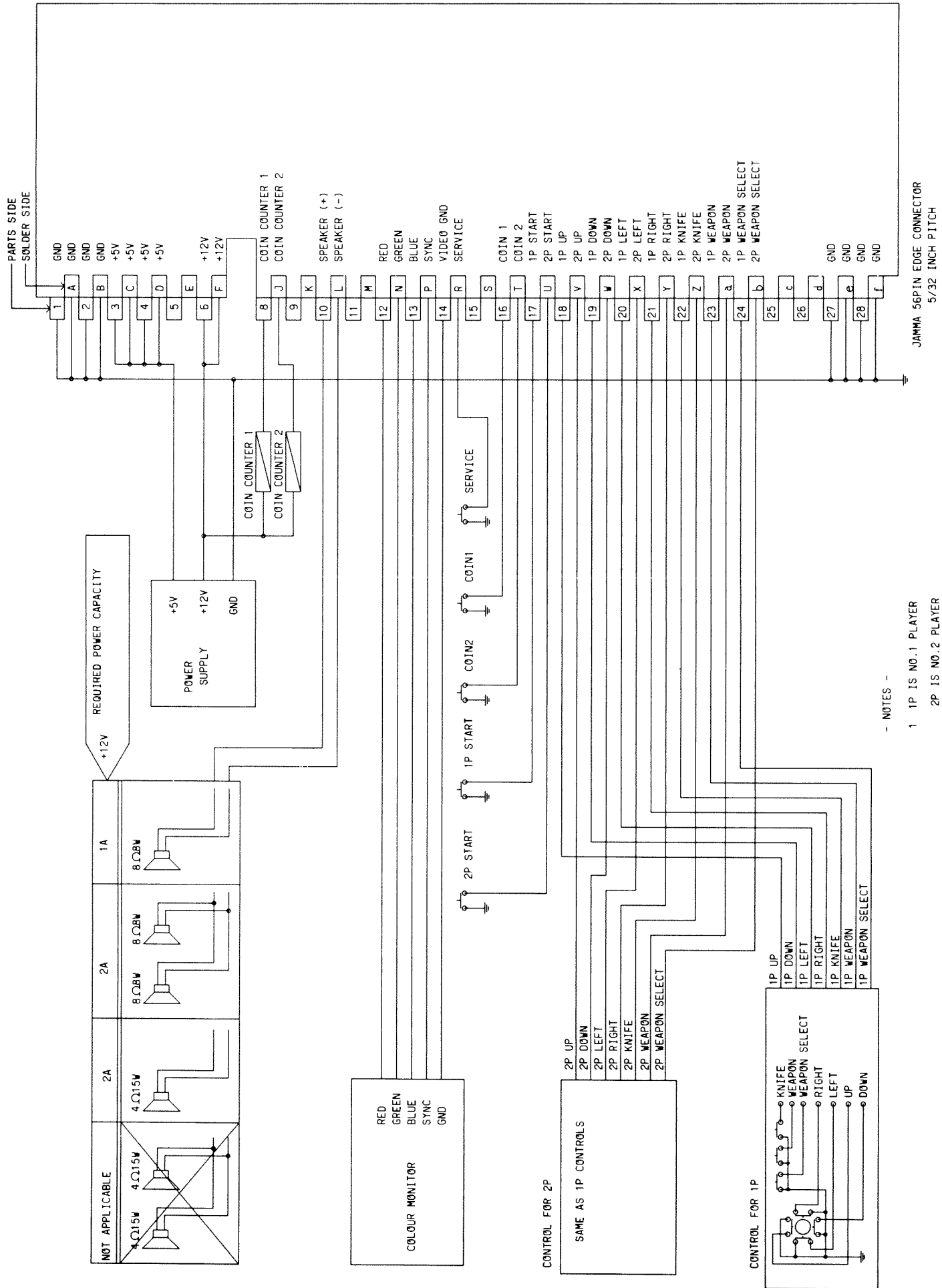


FIGURE 1



JAMMA 56PIN EDGE CONNECTOR
5/32 INCH PITCH

- NOTES -

- 1 1P IS NO. 1 PLAYER
- 2P IS NO. 2 PLAYER
- 2 SURGE KILLER DIODES FOR COIN COUNTER INSTALLED ON THE P.C.B.

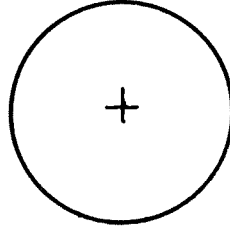
CONTROL PANEL DRILLING TEMPLATE

Button Hole Size 1-3/16 Inch

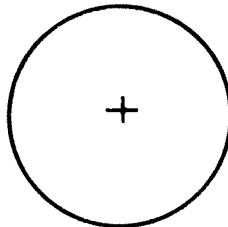
Use this Template for Player 1 and Player 2 Controls



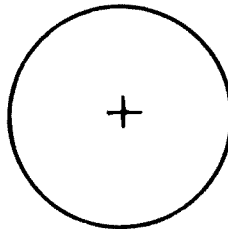
JOYSTICK



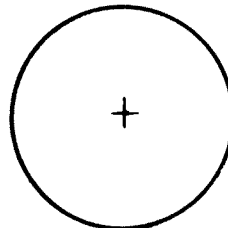
KNIFE

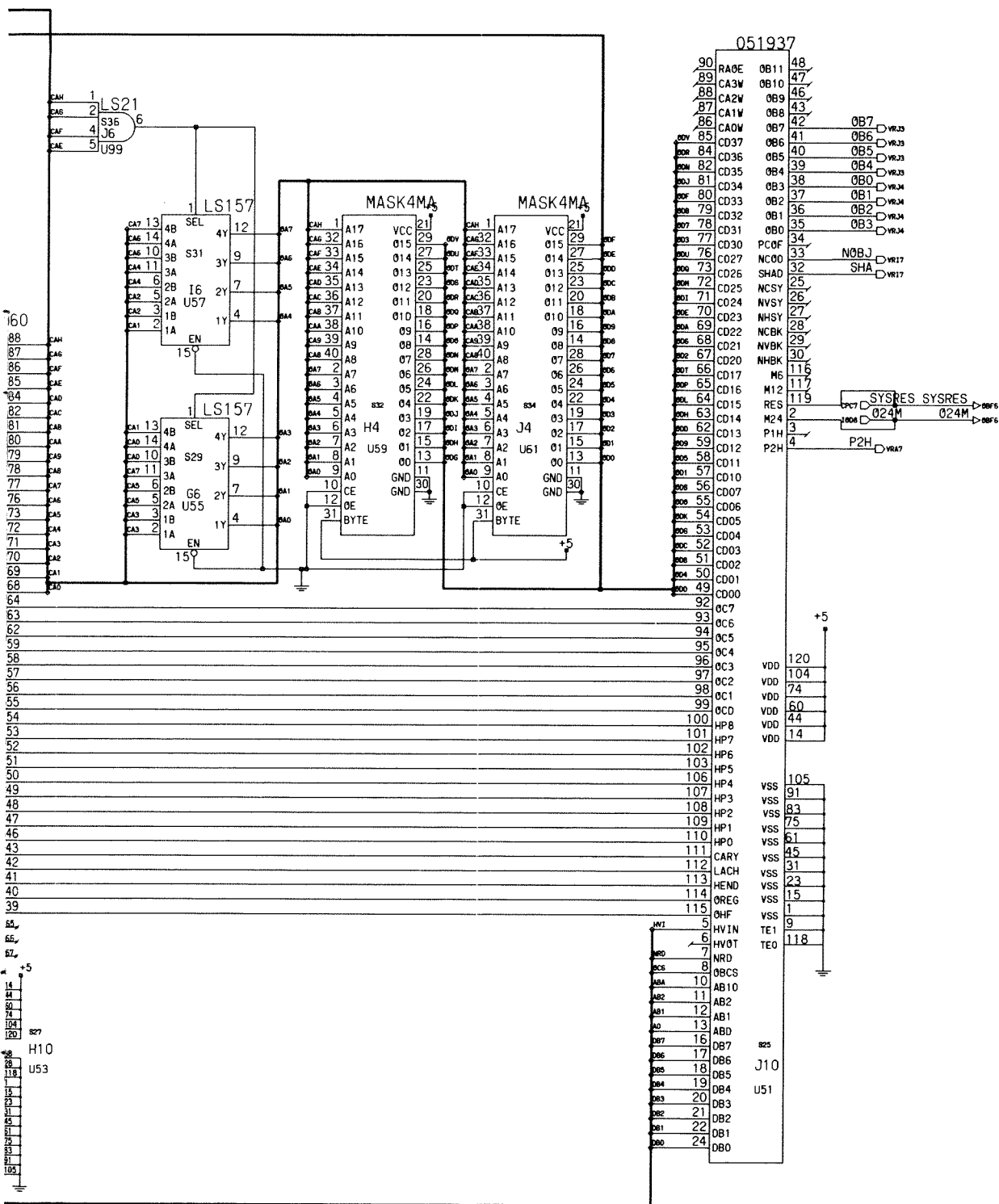


WEAPON



WEAPON SELECT



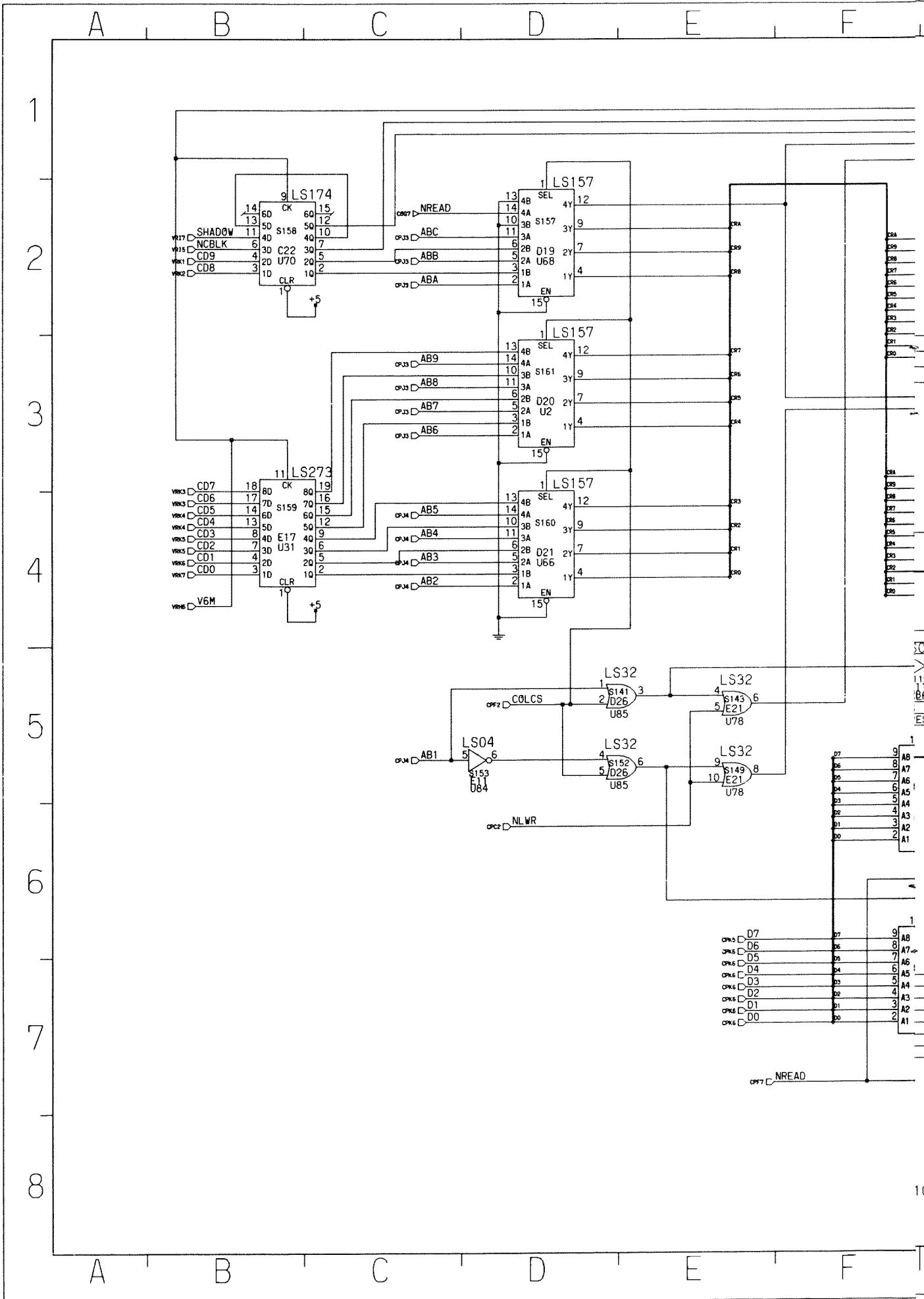


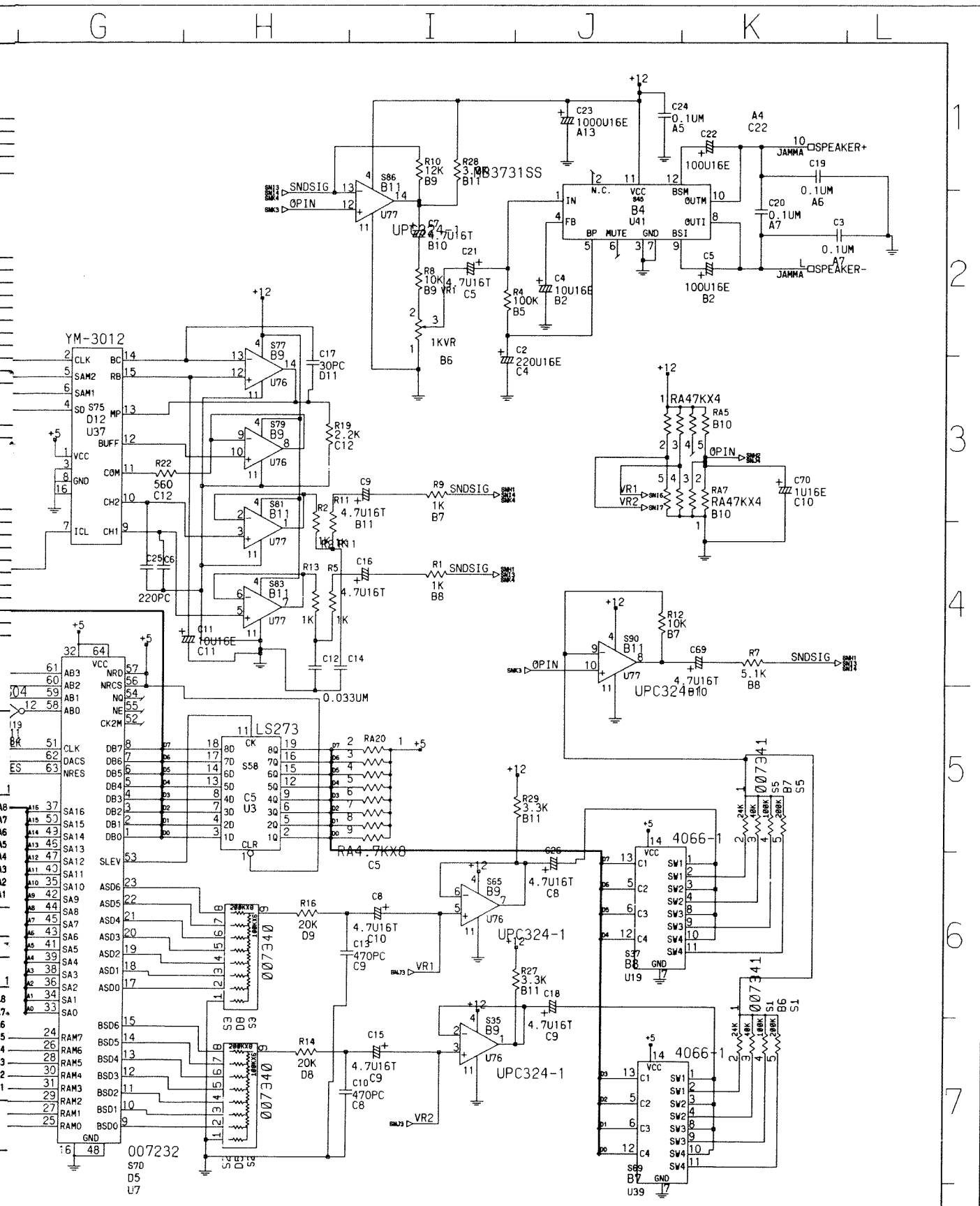
051937

90	RAOE	0B11	48
89	CA3W	0B10	47
88	CA2W	0B9	46
87	CA1W	0B8	43
86	CA0W	0B7	42
85	CD37	0B6	41
84	CD36	0B5	40
83	CD35	0B4	39
82	CD34	0B3	38
81	CD33	0B2	37
80	CD32	0B1	36
79	CD31	0B0	35
78	PCOF	N0BJ	34
77	NC00	SHA	33
76	CD27		32
75	CD26		31
74	CD25		30
73	CD24		29
72	CD23		28
71	CD22		27
70	CD21		26
69	CD20		25
68	CD17		24
67	CD16		23
66	CD15		22
65	CD14		21
64	CD13		20
63	CD12		19
62	CD11		18
61	CD10		17
60	CD07		16
59	CD06		15
58	CD05		14
57	CD04		13
56	CD03		12
55	CD02		11
54	CD01		10
53	CD00		9
52	OC7		8
51	OC6		7
50	OC5		6
49	OC4		5
48	OC3		4
47	OC2		3
46	OC1		2
45	OC0		1
44	HP8		
43	HP7		
42	HP6		
41	HP5		
40	HP4		
39	HP3		
38	HP2		
37	HP1		
36	HP0		
35	CARY		
34	LACH		
33	HEND		
32	OREG		
31	OHF		
30	HVIN		
29	HVOT		
28	NRD		
27	OCBS		
26	ABA		
25	AB2		
24	AB1		
23	ABD		
22	DB7		
21	DB6		
20	DB5		
19	DB4		
18	DB3		
17	DB2		
16	DB1		
15	DB0		

1
2
3
4
5
6
7
8

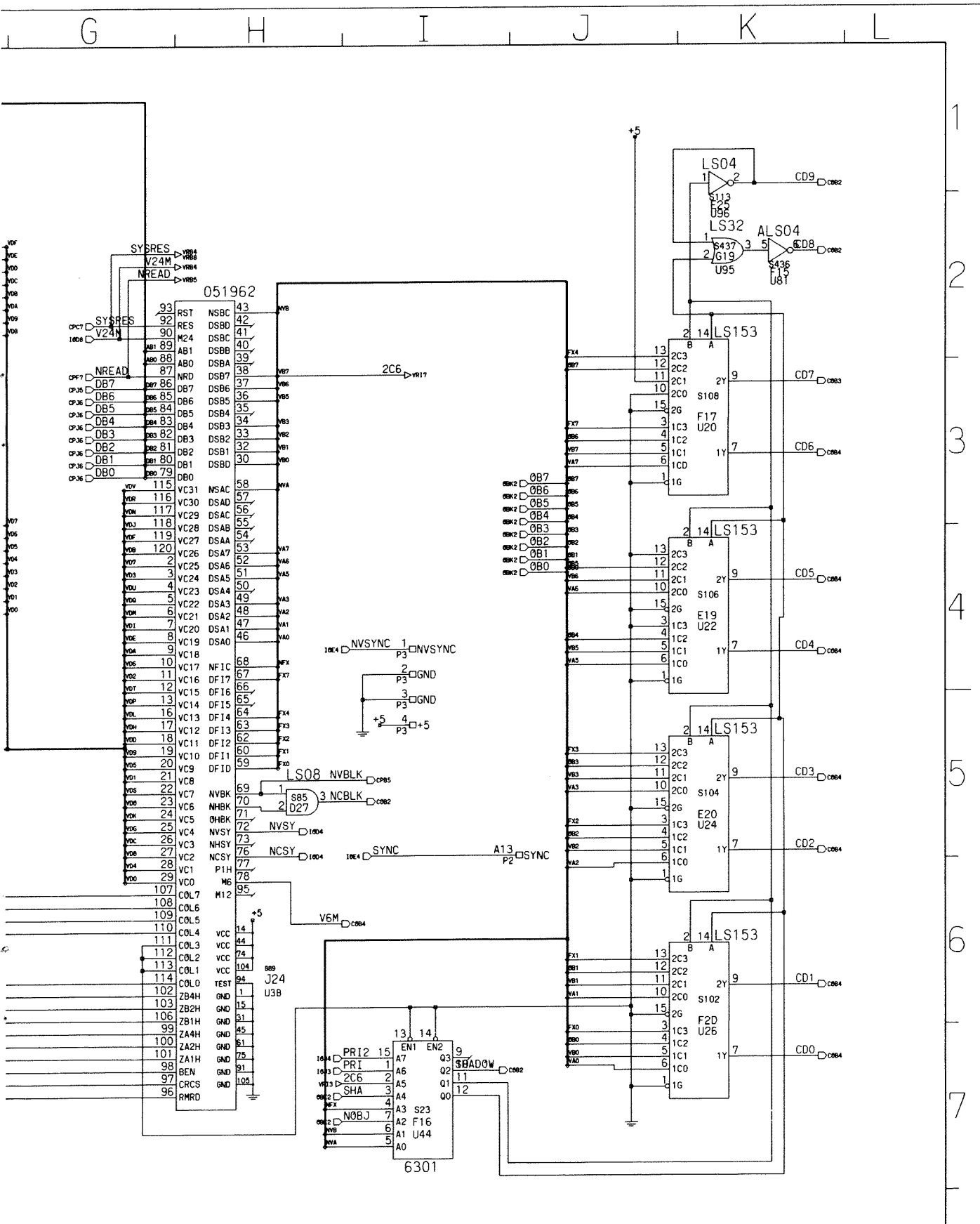
				KONAMI INDUSTRY CO., LTD.				REG. TYPE	OBJ
DESIGN	DRAW	CHECK	APPROVE	RELEASE DATE	88.11.14	NAME	GX808		
			SCALE	:	TOLE-RANCE	CODE NO.	250142	3/6	



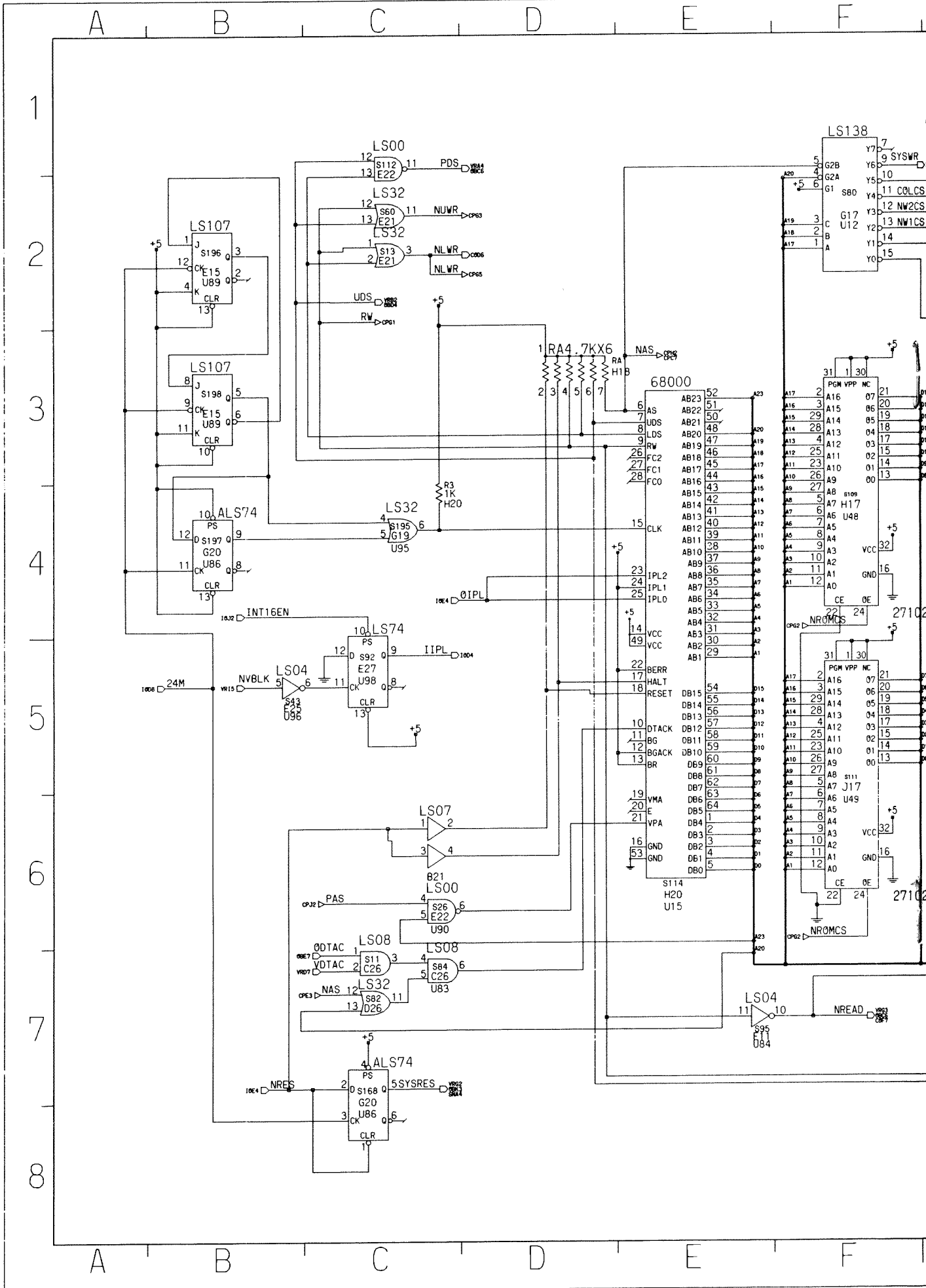


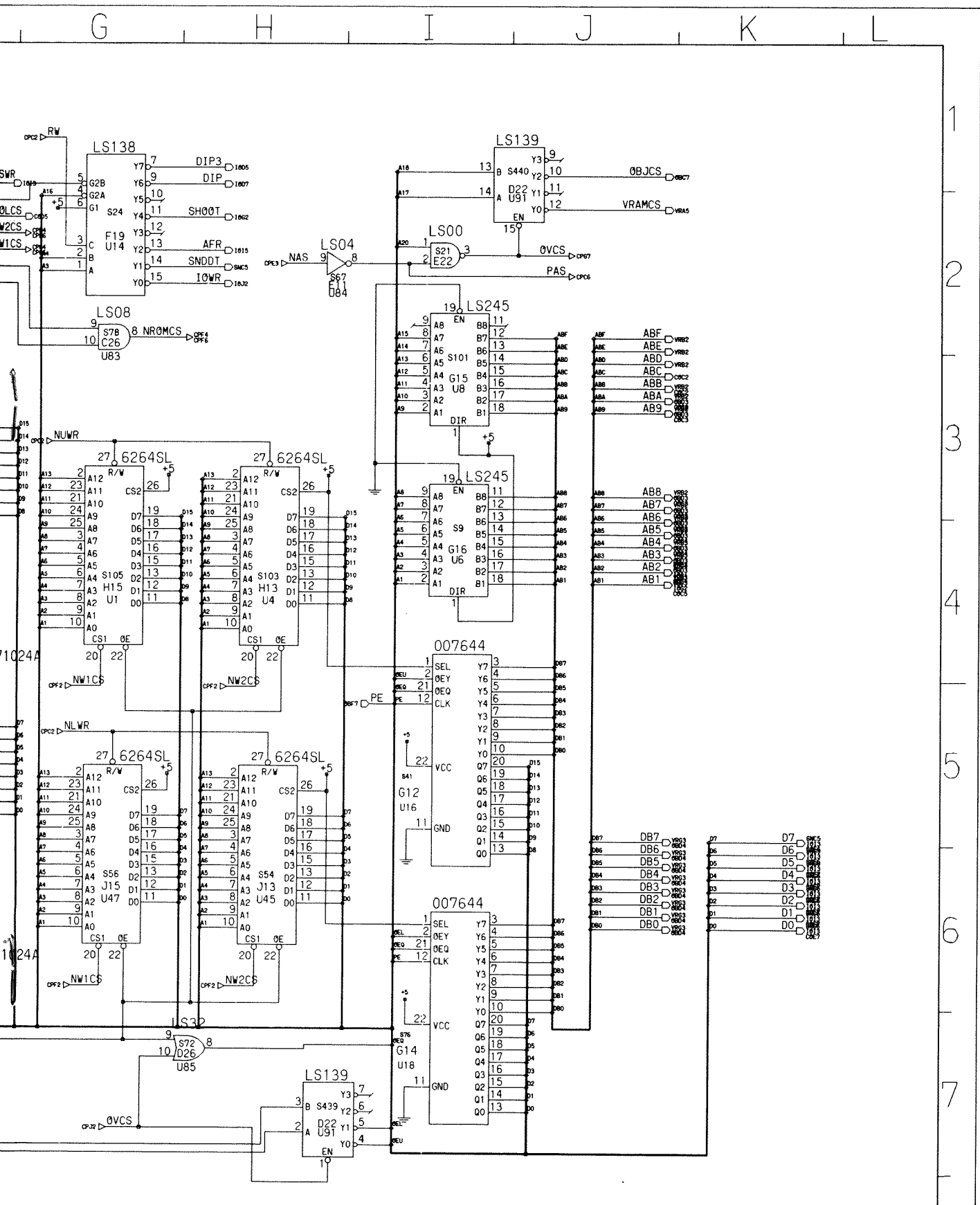
				KONAMI INDUSTRY CO., LTD.		REG. TYPE	SND	
DESIGN	DRAW	CHECK	APPROVE	RELEASE DATE	88.11.14	NAME	GX808 PWB351392	
				SCALE	TOLE-RANCE	CODE NO.	250142 6/6	

1001D

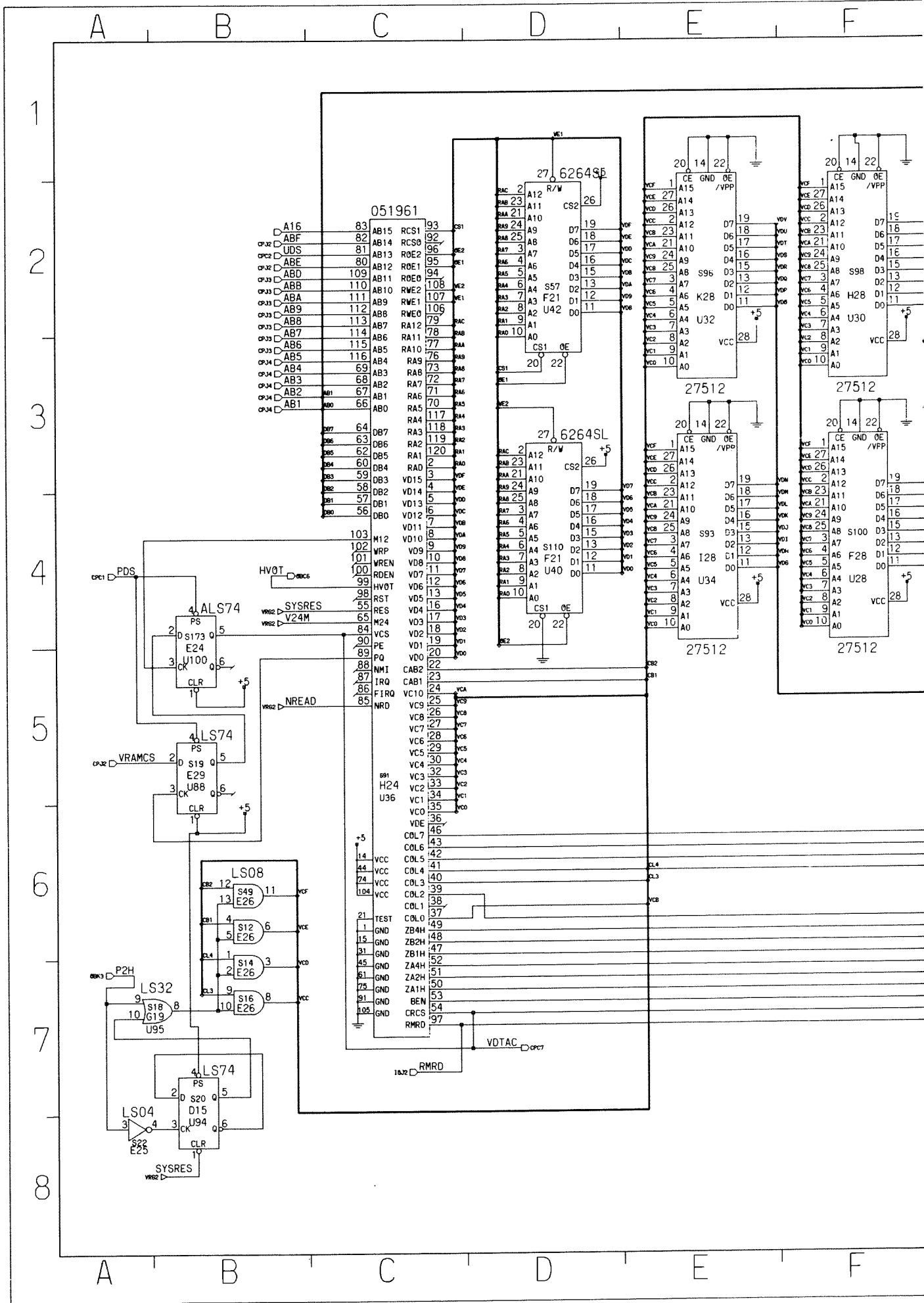


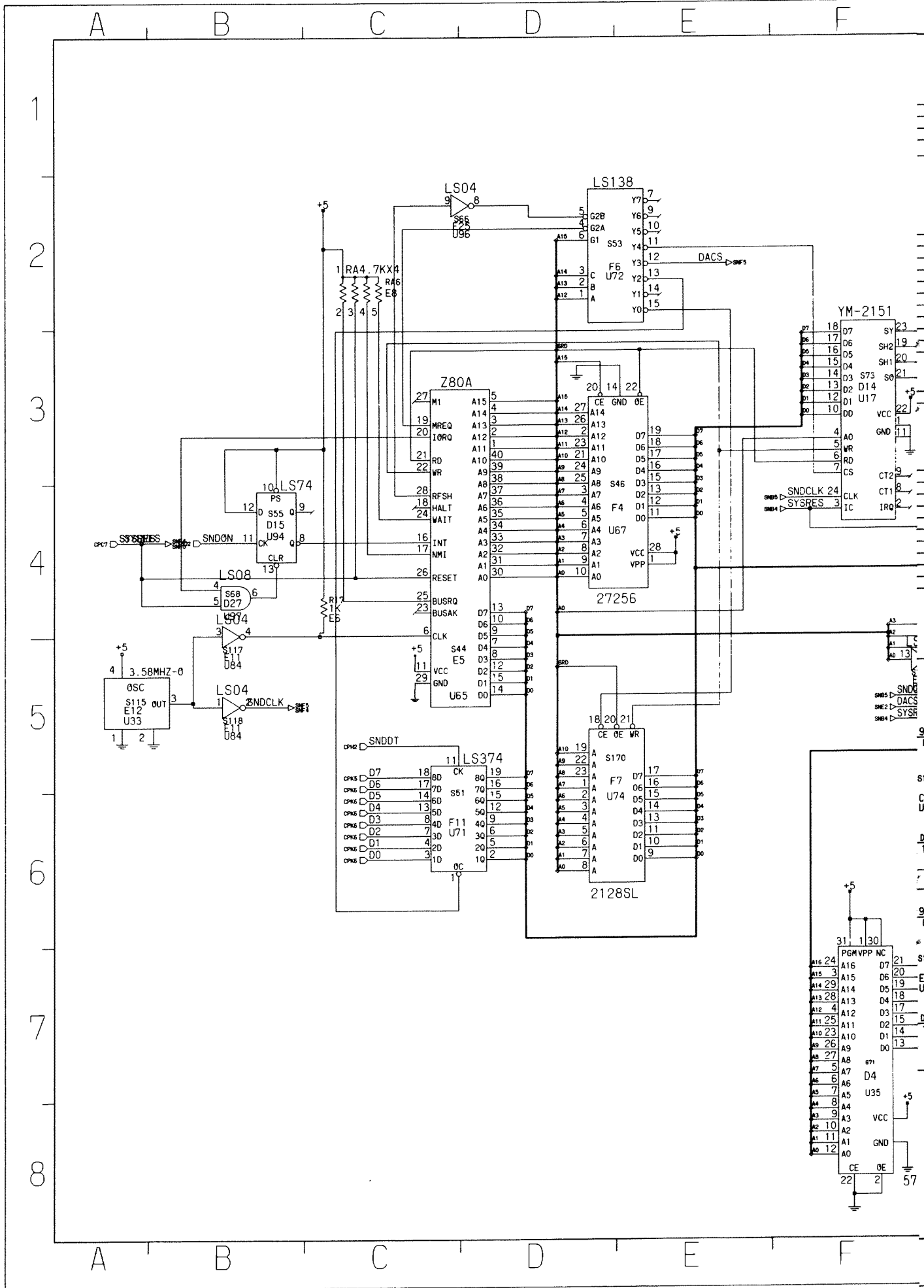
				KONAMI INDUSTRY CO.,LTD.		REG. TYPE	VRAM
DESIGN	DRAW	CHECK	APPROVE	RELEASE DATE	88.11.14	NAME	GX808 PWB351392
<i>Mitsuda</i>	<i>Mitsuda</i>	<i>Kobayashi</i>	<i>Kobayashi</i>	SCALE	:	TOLE-RANCE	CODE NO. 250142 2/6

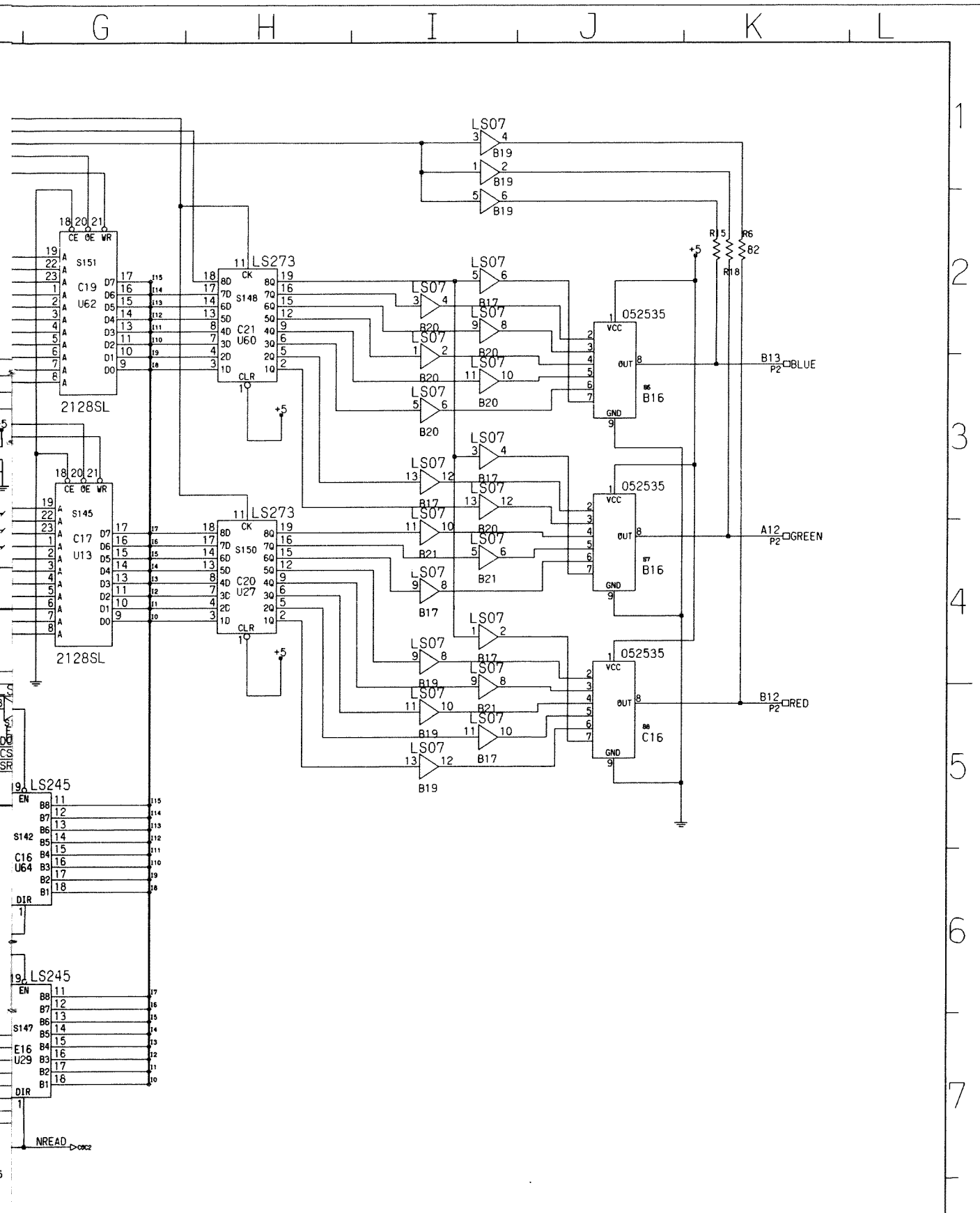




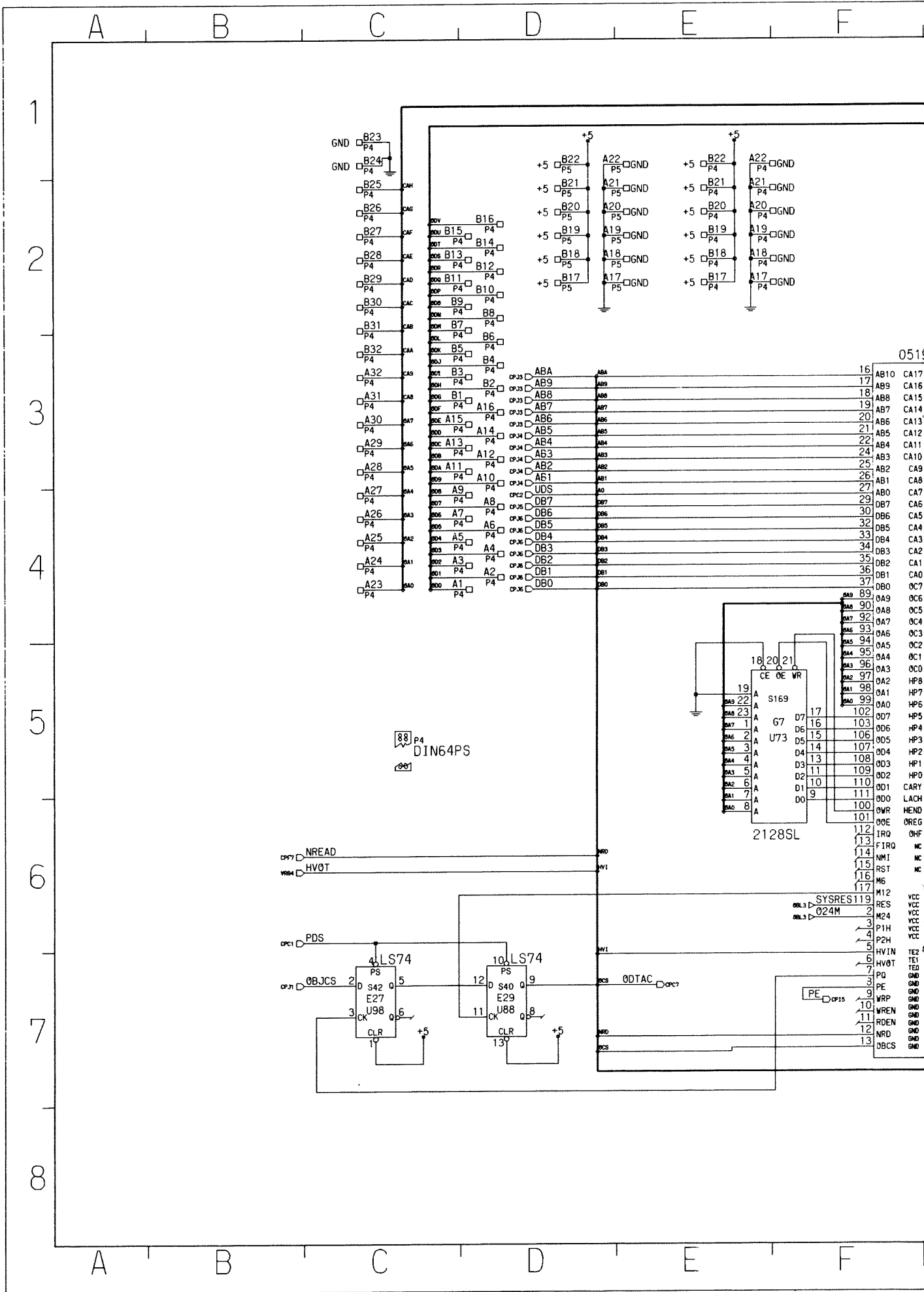
				KONAMI INDUSTRY CO., LTD.		REG. TYPE	CPU
DESIGN	DRAW	CHECK	APPROVE	RELEASE DATE	88.11.14	NAME	GX808 PWB351392
<i>M. Hirooka</i>	<i>M. Hirooka</i>	<i>A. Hoshino</i>	<i>E. Hoshino</i>	SCALE		CODE NO.	250142 1/6







				KONAMI INDUSTRY CO.,LTD.		REG. TYPE	COLOR
DESIGN	DRAW	CHECK	APPROVE	RELEASE DATE	88.11.14	NAME	GX808 PWB351392
				SCALE	:	TOLE-RANCE	
						CODE NO.	250142 5/6



USER INFORMATION
WARNING
F.C.C. REGULATION COMPLIANCE

THIS KIT IS INTENDED FOR USE ONLY ON COIN-OPERATED VIDEO GAMES MANUFACTURED AFTER OCTOBER 1, 1983 WHICH HAVE BEEN VERIFIED FOR COMPLIANCE WITH REQUIREMENTS IN PART 15 OF F.C.C. RULES FOR A CLASS A COMPUTING DEVICE.

IMPROPER CONNECTION OF THIS KIT OR CONNECTION TO ANY OTHER GAME NOT SO MANUFACTURED OR VERIFIED FOR COMPLIANCE MAY CAUSE UNACCEPTABLE INTERFERENCE TO RADIO AND T.V. RECEPTION, REQUIRING THE OPERATOR TO TAKE WHATEVER STEPS ARE NECESSARY TO CORRECT THE INTERFERENCE.

THE P.C. BOARD CAGE SUPPLIED WITH THIS CONVERSION KIT MUST BE UTILIZED AND TERMINATED TO GROUND AT THE TIME OF INSTALLATION.



815 Mittel Drive, Wood Dale, Illinois 60191
Telephone: (312) 595-1443, Telex: 6871385 KONAM UW, Fax: (312) 595-2973
For Technical Assistance Call Toll Free (800) 222-6181 (Outside Illinois)