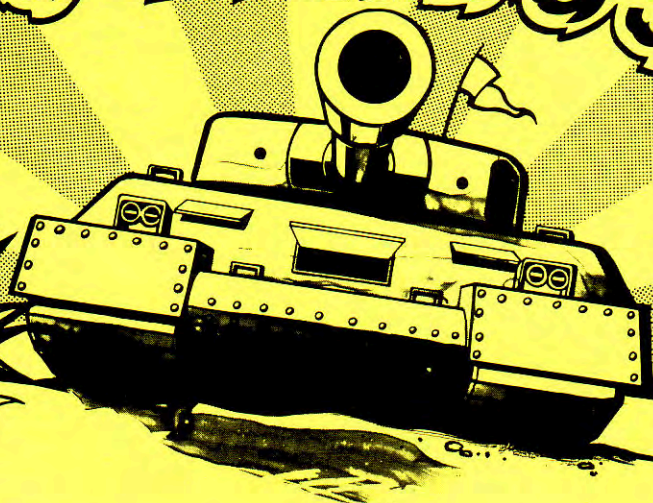


M-79

AMBUSH

BY **ramtek**



OPERATOR'S MANUAL

**SALES & SERVICE
800-538-1733**

ramtek

Our Experience Shows

292 Commercial St.
Sunnyvale, CA. 94086

TABLE OF CONTENTS

1. INTRODUCTION.	1
2. GAME OPERATION.	1
3. INSTALLATION.	3
4. OPERATOR SELECTABLE OPTIONS	4
5. BLOCK DIAGRAM EXPLANATION	5
6. TROUBLE SHOOTING TECHNIQUE.	8

TABLE OF ILLUSTRATIONS

UNPACKING AND SET-UP OF GUN PANEL	FIGURE 1
PULL-OUT SHELF.	FIGURE 2
BLOCK DIAGRAM	FIGURE 3
REAR VIEW OF CABINET.	FIGURE 4
UNDERVIEW OF GUN CONTROL PANEL.	FIGURE 5
LOGIC BOARD	FIGURE 6
INTERFACE BOARD	FIGURE 7
POWER SUPPLY.	FIGURE 8
T.V. MONITOR.	FIGURE 9

1. INTRODUCTION

M-79 Ambush is another Ramtek Amusement Device which is engineered to provide the highest degree of reliability using the most advanced techniques available. All solid-state circuitry ensures years of dependable service.

M-79 Ambush is a one or two player shooting game (\$.25 one player, \$.50 two player) where players use heavy cast aluminum guns to fire at tanks, jeeps and motorcycles and try to avoid hitting a UN truck.

Realistic firing and explosion sounds accompany the sound of the vehicles to provide an exciting audio presentation. Flashing lights occur when vehicles are struck.

Provision is made for extended play for exceeding adjustable scores, and the previous high score is displayed during the attract sequence.

2. GAME OPERATION

While the M-79 Ambush game is not coined, it displays an attract sequence which consists of a tank crossing the screen, a projectile being fired which misses, then a tank crossing the screen from the opposite direction which is fired upon and explodes. Also displayed on the screen are the messages "ONE COIN EACH PLAYER", "GAME OVER" and "PREVIOUS HIGH SCORE".

An actual game begins when the players insert coin(1). A message is then displayed which reads "PRESS START OR ADD COIN PLAYER 2". If the start button is depressed or 12 seconds elapse, the game plays as a one player game (left gun operable). If a second coin is inserted, the game plays as a two player game.

Tanks, jeeps, motorcycles and UN observer trucks now cross the screen horizontally in both directions at two different elevations. Each vehicle has a distinctive sound, and travels at a different rate. Vehicles appear in a random manner, and occasionally a vehicle will stop and reverse.

Two cannons are mounted at opposite corners of front of game. The cannons move in a horizontal plane with a 24° sweep. Players depress fire buttons mounted on the guns and projectiles originate at angles from the corners of the screen, and travel at an angle determined by the position of the cannon.

The firing of a projectile is accompanied by a shot sound, followed by the whistling sound of a moving projectile.

When a projectile strikes a vehicle, the vehicle breaks into discrete pieces. There is an explosion sound, and a light flashes to illuminate the background. Some of these pieces remain on the screen as debris between the travel bands and in the foreground. A second shot removes the debris.

A score appears on the screen when a vehicle is hit:

100 for tank
200 for jeep
700 for motorcycle

Striking the UN observer truck flashes a "PENALTY" message on the screen above the players' score, and prevents that shooter from firing for 3 seconds.

A timer on the screen counts down from 100. The word "TIMER" appears over the score, except during extended play. Actual time for the game is adjustable to 60, 90, 90 or 120 seconds.

Extended play is granted for an adjustable high score of 1500, 2500, 3500, 5000 or never. Extended play is 40% of the regular time. "EXTENDED TIME" flashes on the screen above the timer. Normal time is completed before extended time occurs.

The previous high score is updated and stored in memory. It may be reset to zero by opening the coin door and operating the tilt switch.

3. INSTALLATION

Any shipping container that appears damaged should be unpacked with the Carrier Agent present. Carefully inspect the unit for external damage, then remove the back cover and inspect for internal damage.

If any damage is found, notify the Carrier and Ramtek Corporation immediately. Retain containers for Carrier inspection.

To protect the guns and minimize the size of the shipping container the guns are shipped in a verticle position. To install the guns follow the instructions in Figure 1.

A pull-out shelf is provided for younger players. This shelf can be easily extended as shown in Figure 2.

Plug in the unit and operate to ensure proper operation.

4. OPERATOR SELECTABLE OPTIONS

The characteristics of the game which can be altered by the operator are:

1. The length of time allowed to play each game.
2. The score at which extended time is allowed. The length of the extended time allowed is factory set at 40% of the selected game play time.
3. The number of coins per game.

A component top view of the microprocessor board used on M-79 AMBUSH is shown in Figure 6.

The following chart explains the settings of the eight switches on the DIP switch. A plus(+) in a column means the toggle switch is up on the plus side of the DIP switch.

	SWITCHES		
	12	345	678
<u>Length of Game (seconds)</u>			
60	00		
90	0+		
90	+0		
120	++		
<u>Points for Extended Time</u>			
1500		000	
2500		+00	
3500		0+0	
5000		++0	
NO extended time		+++	
<u>Coins per Game</u>			
Free play - two players			0++
One Coin - two players			0+0
One coin - each player			000
Two coins - each player			+00

Based on extensive tests on location, the factory settings for the most universal combination are:

60 second long game	12345678
2500 points for extended play	00+00000
One coin each player	

The sound level of the game may also be adjustable as shown on Figure 7 of the interface board.

5. BLOCK DIAGRAM DESCRIPTION

The block diagram in Figure 3 basically describes the major components of M-79 AMBUSH game. The functional description of each block is as follows:

COIN DOOR

Coin drop provides a logic signal to the logic board to initiate the game when a coin drop is sensed through the switch closer. A tilt switch is provided to reset the game if the unit is abused. The tilt switch is also used to reset the game to remove the previous high score.

TRANSFORMER ASSEMBLY

The transformer assembly generates all the unregulated DC voltages required for the regulators located on the interface board. The assembly also contains a solid-state relay to actuate the incandescent bulb on command from the logic board.

GUN CONTROLS

The gun controls provide a logic signal indicating the gun position. They also provide a signal to logic board when a gun is fired. See Figure 5 for more detail.

LOGIC BOARD

The logic board contains the necessary logic circuitry to enable M-79 AMBUSH operation. Its heart is an 8080 microprocessor.

The logic board receives input signals from the gun controls and the coin door. It provides output signals to the interface board to generate sounds, the T.V. monitor to generate the video display, and the solid-state relay in the transformer assembly to turn on the explosion light. See Figure 6 for more detail.

INTERFACE BOARD

The interface board contains the circuitry to generate the sound signals and the DC voltage regulators. It receives input signals from the logic board and provides sound signals to the speaker. See Figures 7 for more detail.

MONITOR

The monitor provides the video display of the signal from the logic board. See Figure 9 for schematic.

SPEAKER

Provides the sound.

FLOURESCENT LIGHT

Provides header and general game illumination.

INCANDESCENT LIGHT

Provides flash of light during the explosion.

INTERLOCK SWITCH

Disconnects AC power when the back door is removed.

COIN COUNTER

Counts the coins put in the game.

6. TROUBLE SHOOTING TECHNIQUES

The following diagrams are provided to assist in trouble shooting the unit:

Figure 4	Rear View of Cabinet
Figure 5	Underview of Gun Control Panel
Figure 6	Logic Board
Figure 7	Interface Board
Figure 8	Power Supply

Make sure the power cord is plugged in the wall socket and the interlock switch is ON. The interlock switch is on when it is fully depressed -- this requires the back cover to maintain closure; or when the switch is pulled fully out -- maintains self in this position.

Check all four(4) fuses in the game -- the system power fuse located on the transformer filter board and three(3) fuses mounted on the T.V. monitor.

Check the brightness and contrast control on the monitor, and turn them in the direction to give maximum brightness and contrast. Adjust the Vertical and Horizontal Holds if necessary.

Disconnect P-7 and turn brightness and contrast up. Check to see that screen lights up indicating the monitor is working properly.

If there is no sound associated with the game, check the volume control located on the interface board. See Figure 7. Check the +23V DC at (+)side of the 250uF capacitor directly below P-7.

Whenever the game malfunctions, the +5V, -5V and +12V DC supplies should be checked. Use any standard voltmeter. The +5V can be measured by using any two buss bars in rows three through seven. The -5V can be measured from ground to S2-A. The +12V can be measured from ground to S3-A. Be careful not to short these supplies when making measurements.

IN THE EVENT THE PROBLEM IS ASSOCIATED WITH THE LOGIC OR INTERFACE BOARDS, RETURN BOTH BOARDS ALONG WITH THE INTERCONNECTING CABLE FOR REPAIR.

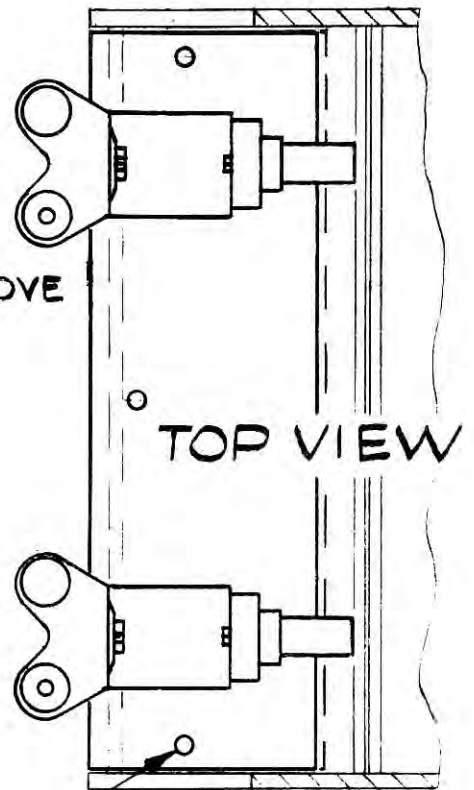
① USING CARE NOT TO DAMAGE WIRING HARNESS, REMOVE 'GUN ASSY.' FROM SHIPPING POSITION BY LIFTING TO CLEAR CABINET.

② REMOVE 'WING NUTS' & WASHERS FROM UNDERSIDE OF GUN MTG BOARD & REMOVE COIN BOX.

③ MAKE SURE WIRING HARNESS IS CLEAR AND POSITION 'GUN ASSY.' AS SHOWN, WITH LEADING EDGE OF GUN MTG. BOARD UNDER LIP IN CABINET AND GROOVE DOWN OVER TOP EDGE OF 'FRONT PANEL'.

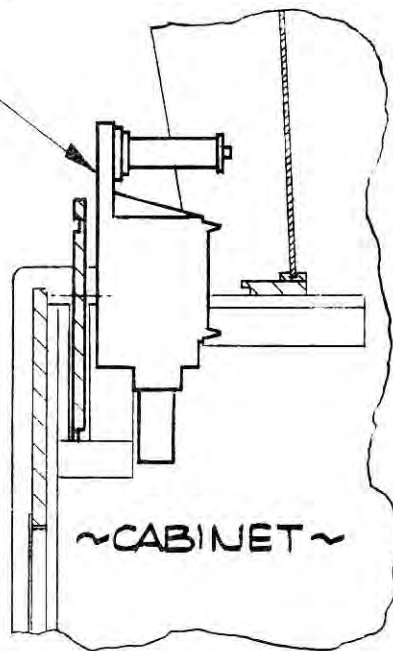
④ INSTALL WASHERS & 'WING NUTS' ON CARRIAGE BOLTS USING OPEN 'COIN DOOR' FOR ACCESS.

IMPORTANT: TIGHTEN WING NUTS SECURLY!



CARRIAGE BOLT

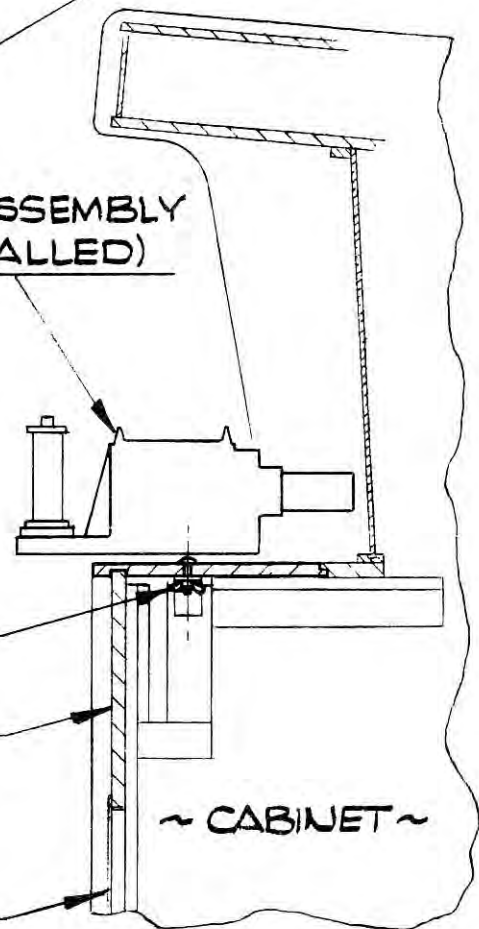
GUN ASSEMBLY (AS SHIPPED)



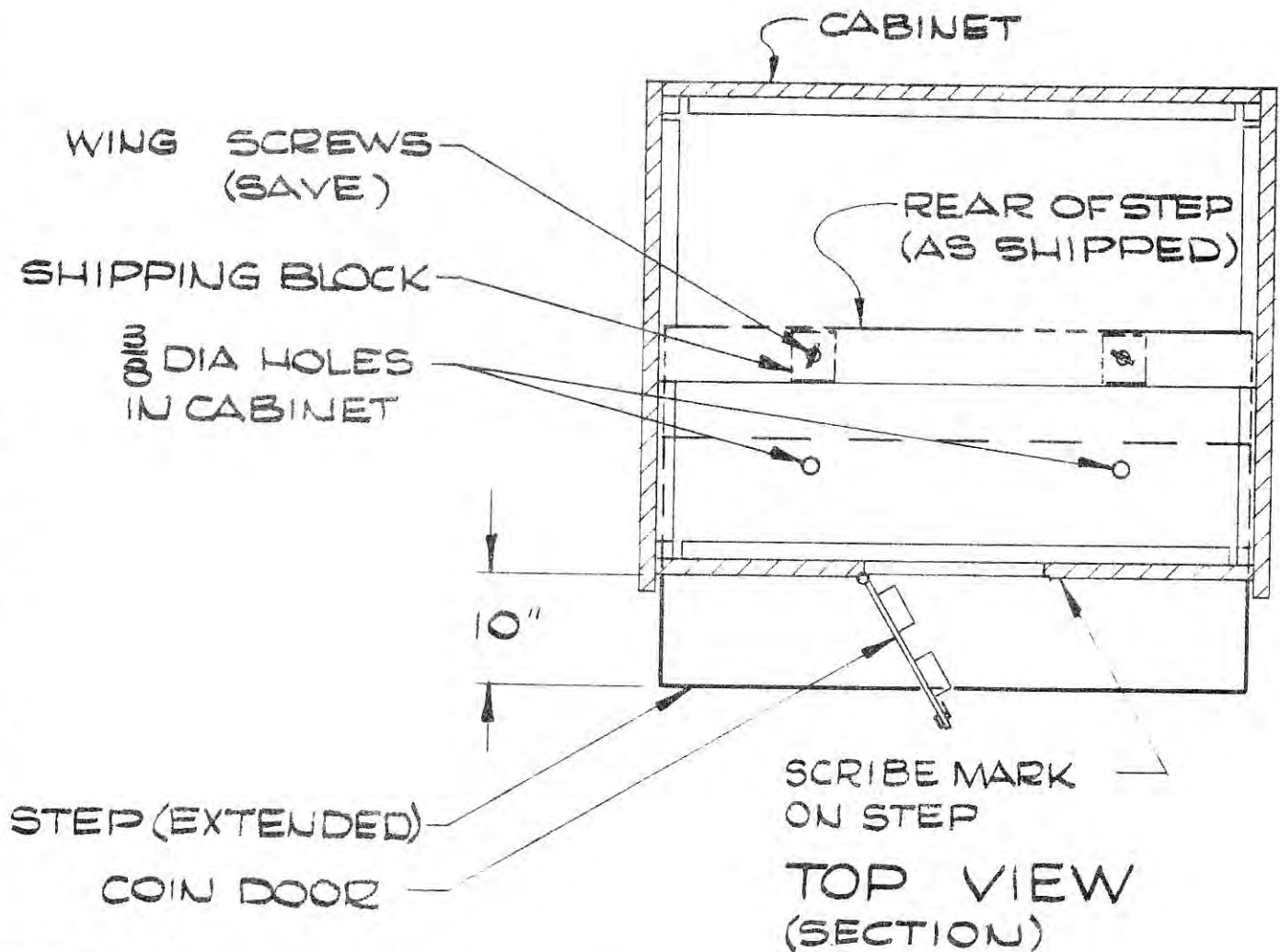
GUN ASSEMBLY (INSTALLED)

WING NUT
FRONT PANEL

COIN DOOR

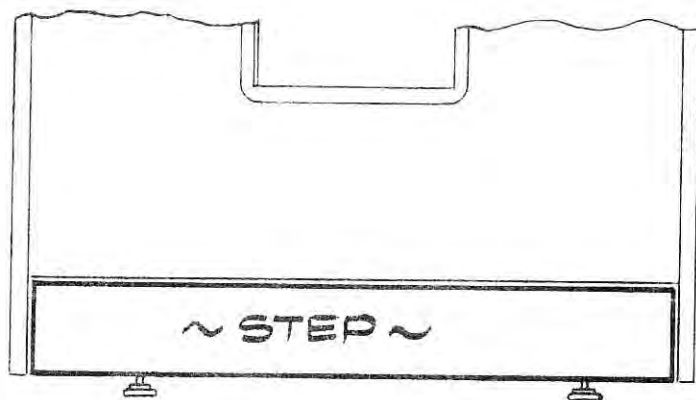


UNPACKING AND SET-UP
OF GUN PANEL
FIGURE I



TO EXTEND STEP:

- ① OPEN 'COIN DOOR' FOR ACCESS.
- ② REMOVE COIN BOX.
- ③ REMOVE 'SHIPPING BLOCKS' FROM STEP.
- ④ PULL STEP OUT TO TEN (10") INCHES OR 'SCRIBE MARK', AS SHOWN.
- ⑤ TO LOCK STEP IN PLACE, INSERT 'WING SCREWS' THRU 3/8" DIA HOLES IN CABINET AND TIGHTEN.

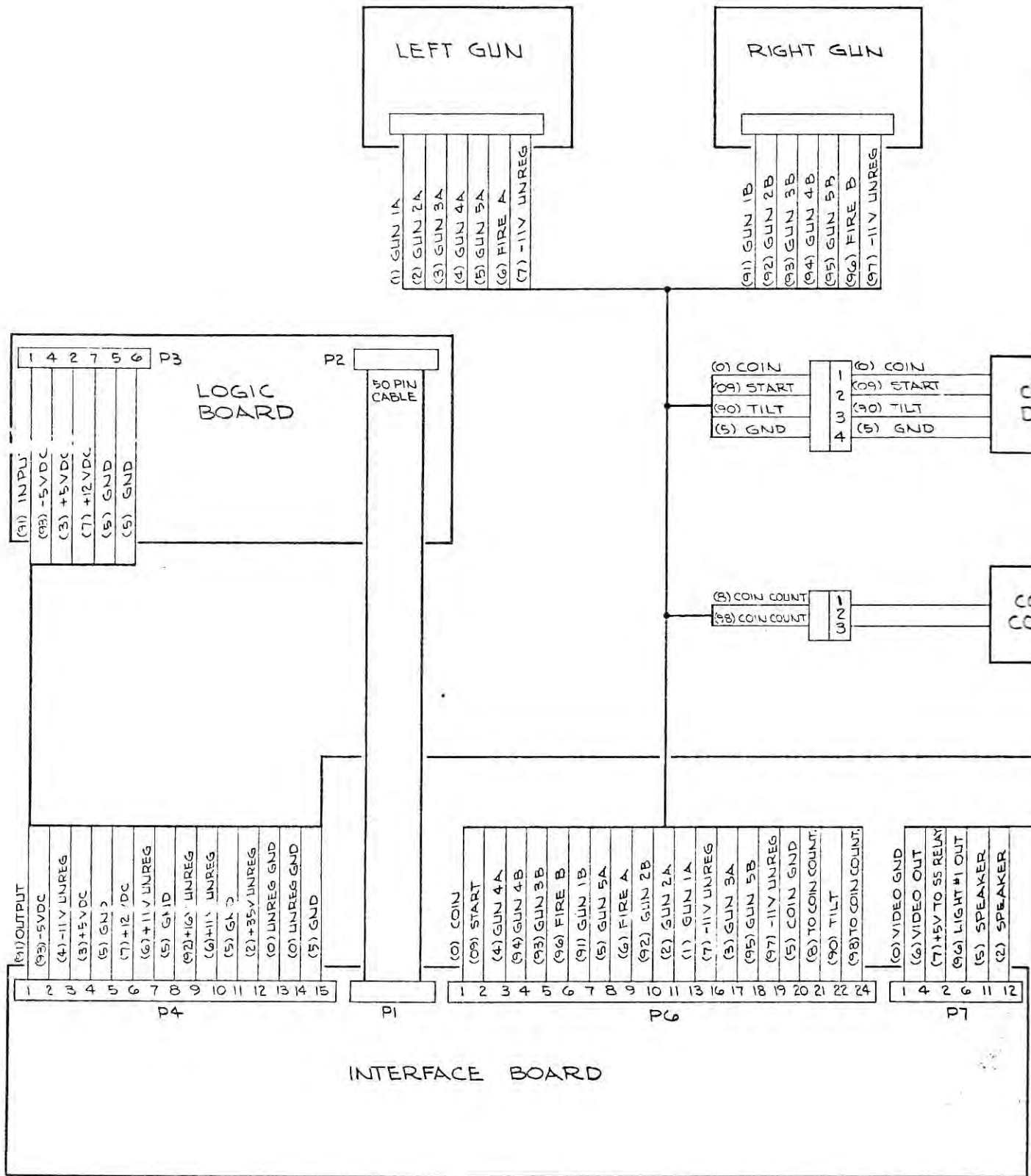


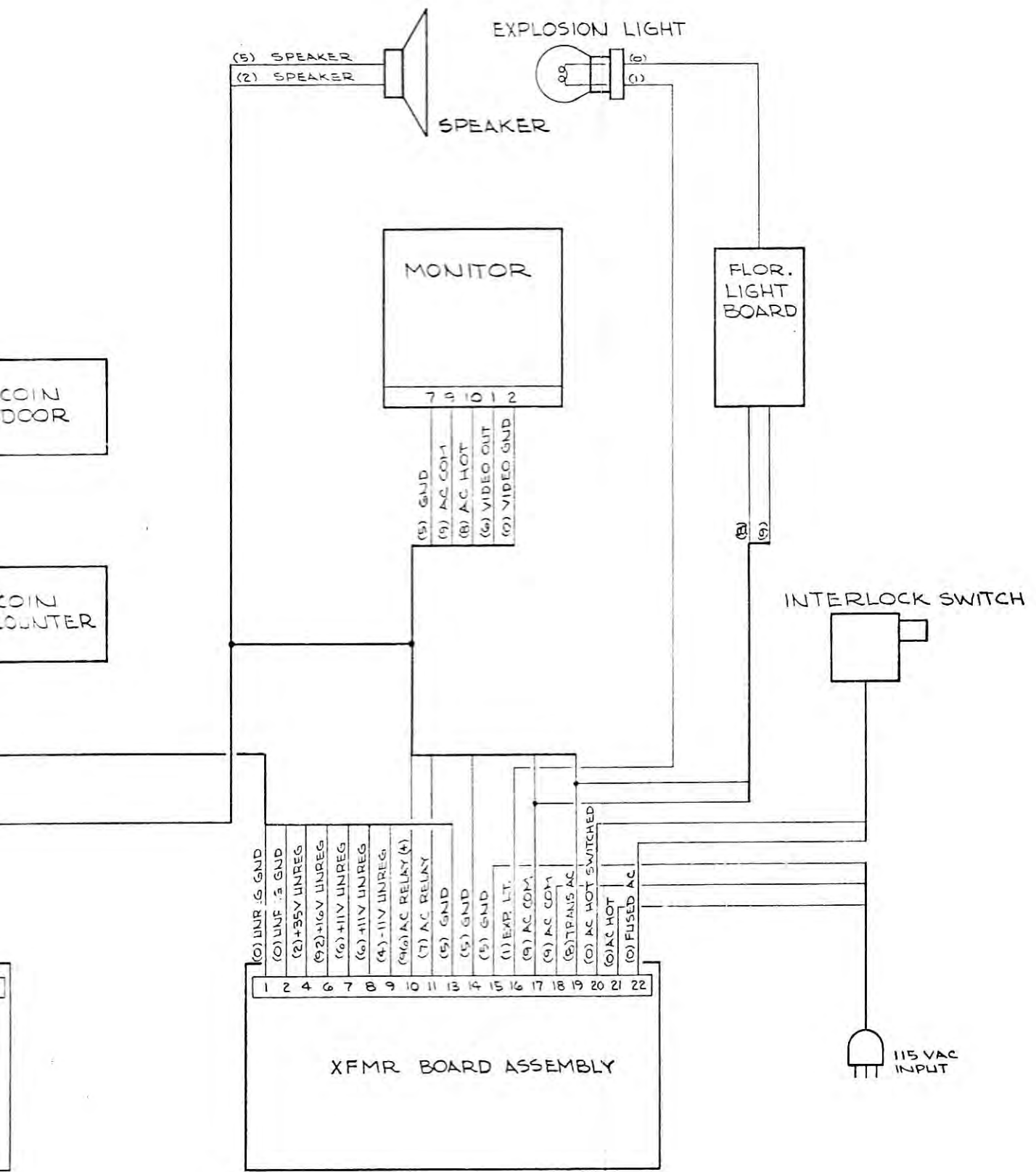
FRONT VIEW

NOTE: IF INSTALLED ON CARPET, TILT CABINET BACK BEFORE PULLING STEP OUT.

PULL OUT SHELF

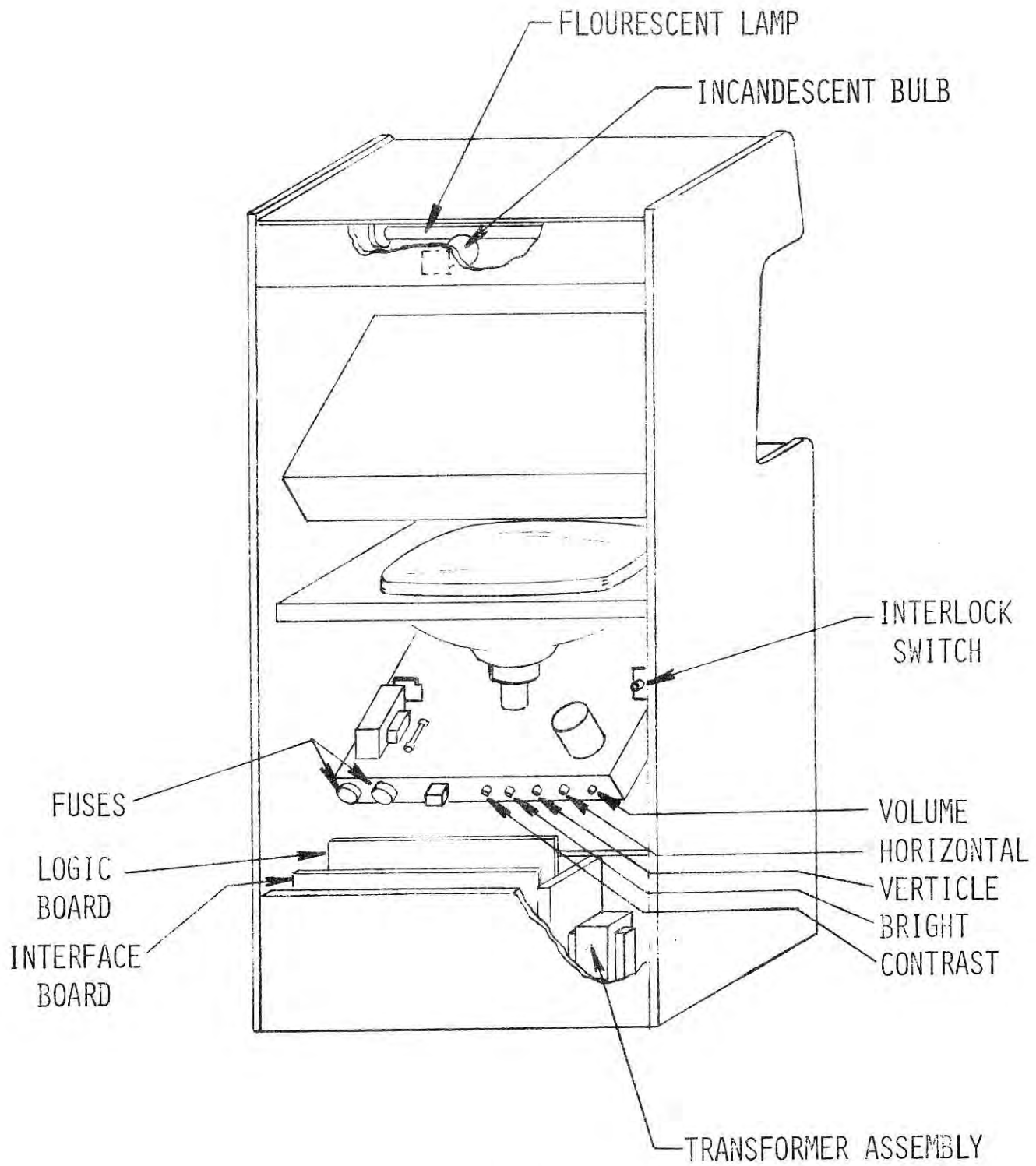
FIGURE 2



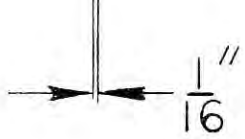
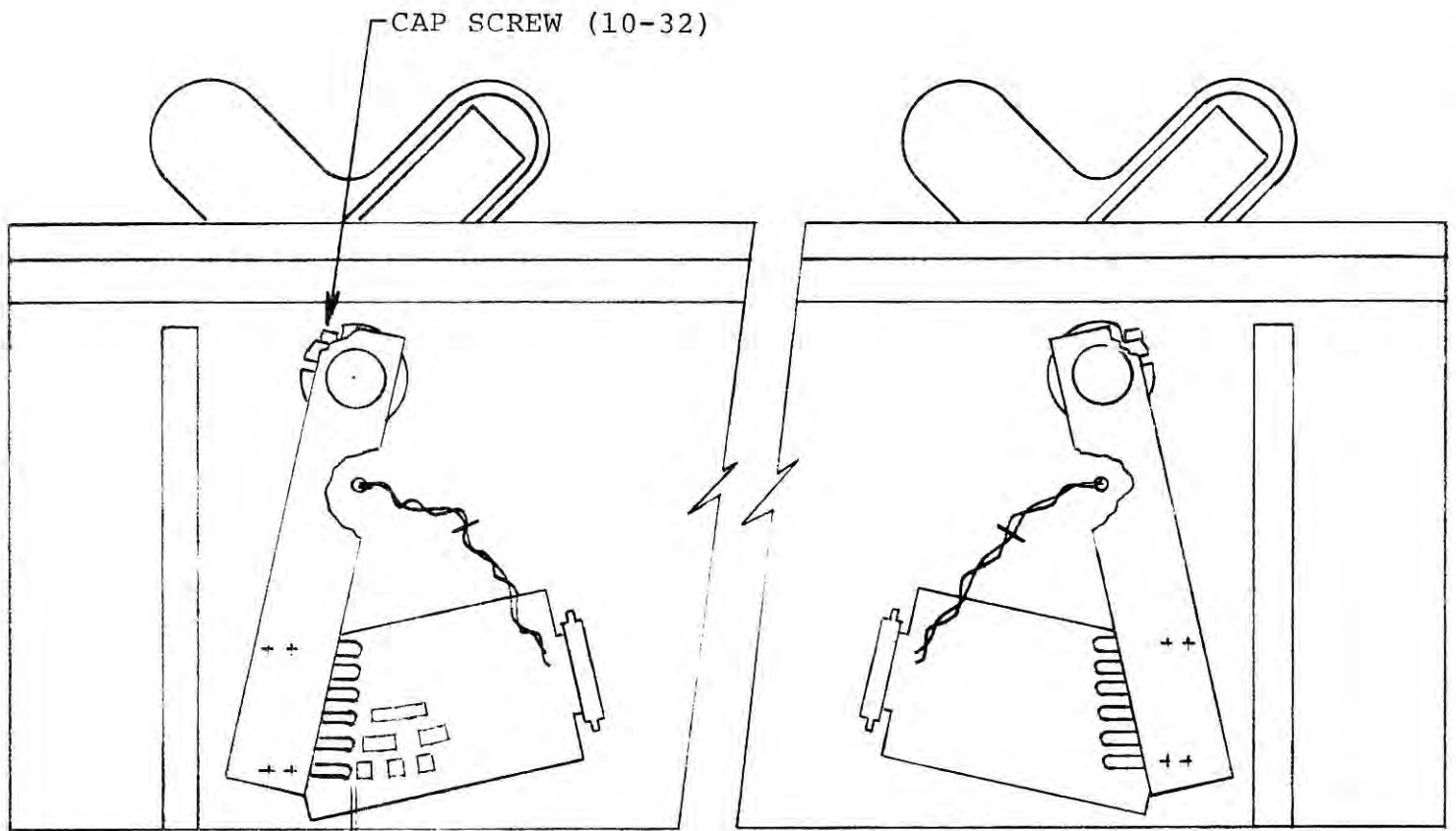


BLOCK DIAGRAM

FIGURE 3

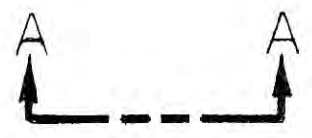


REAR VIEW OF CABINET
 FIGURE 4

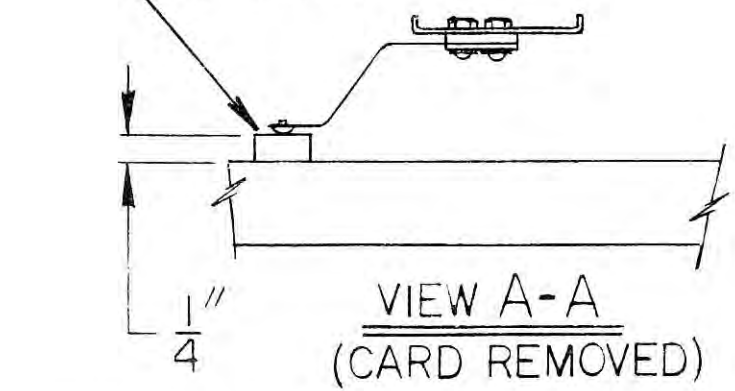


GUN ALIGNMENT:

WITH GUNS APPROXIMATELY PERPENDICULAR TO FRONT OF CONTROL PANEL AND AGAINST BUMPER STOP, ALIGN WIPER SWITCH MOUNTING PLATE SO THE OUTSIDE CONTACT IS APPROXIMATELY 1/16" FROM THE OUTSIDE PAD ON WIPER BOARD. THEN TIGHTEN CAP SCREW IN COLLAR (5/32 ALLEN WRENCH).

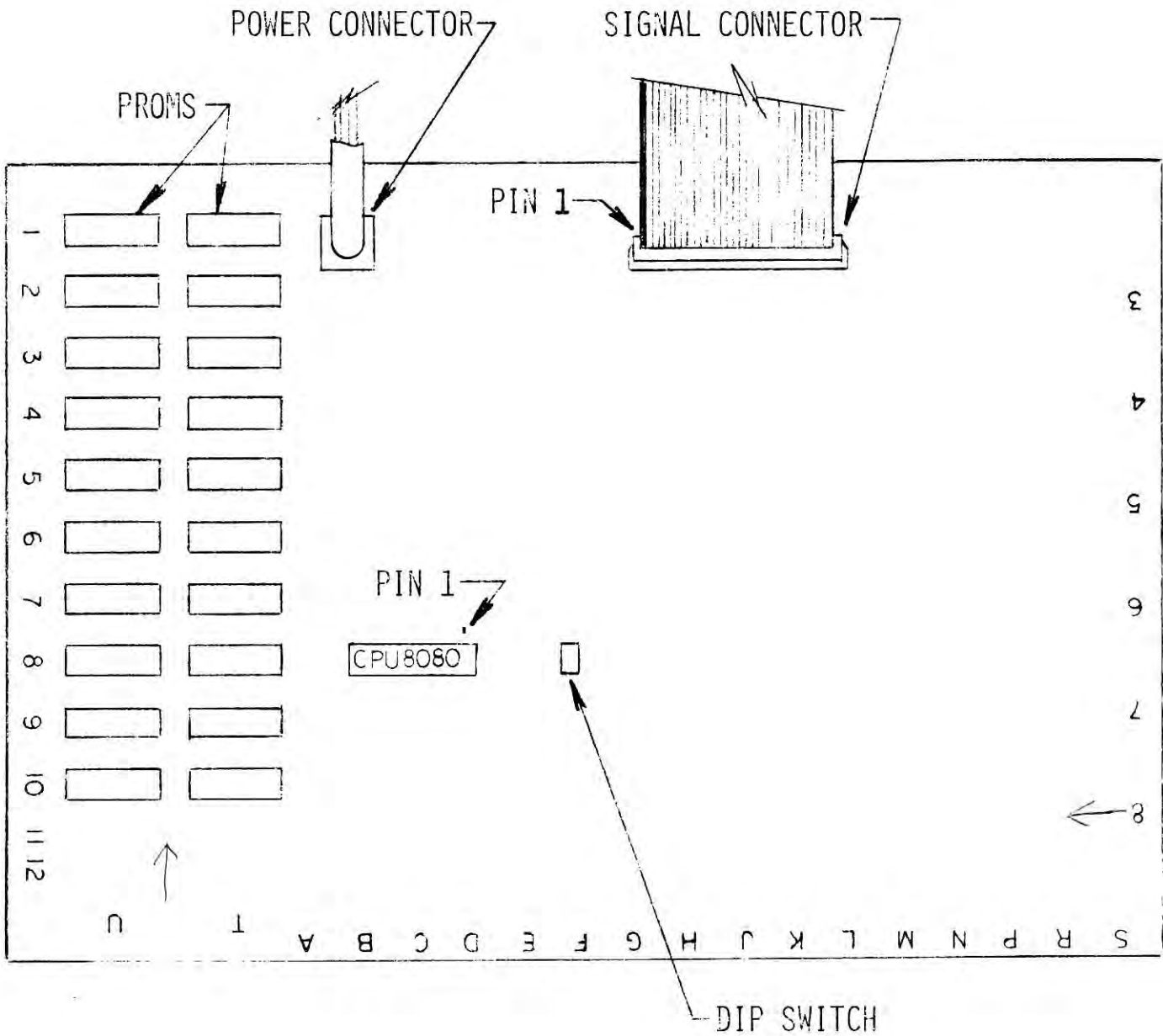


WITH WIPER BOARD REMOVED, USE SPACER BLOCK TO SET WIPER BLADES 1/4" FROM CONTROL PANEL - CARE MUST BE TAKEN NOT TO INTERFERE WITH WIPER BLADE OR WIPER BLADE MOUNTING PLATE SETTING WHEN REINSTALLING WIPER BOARD.

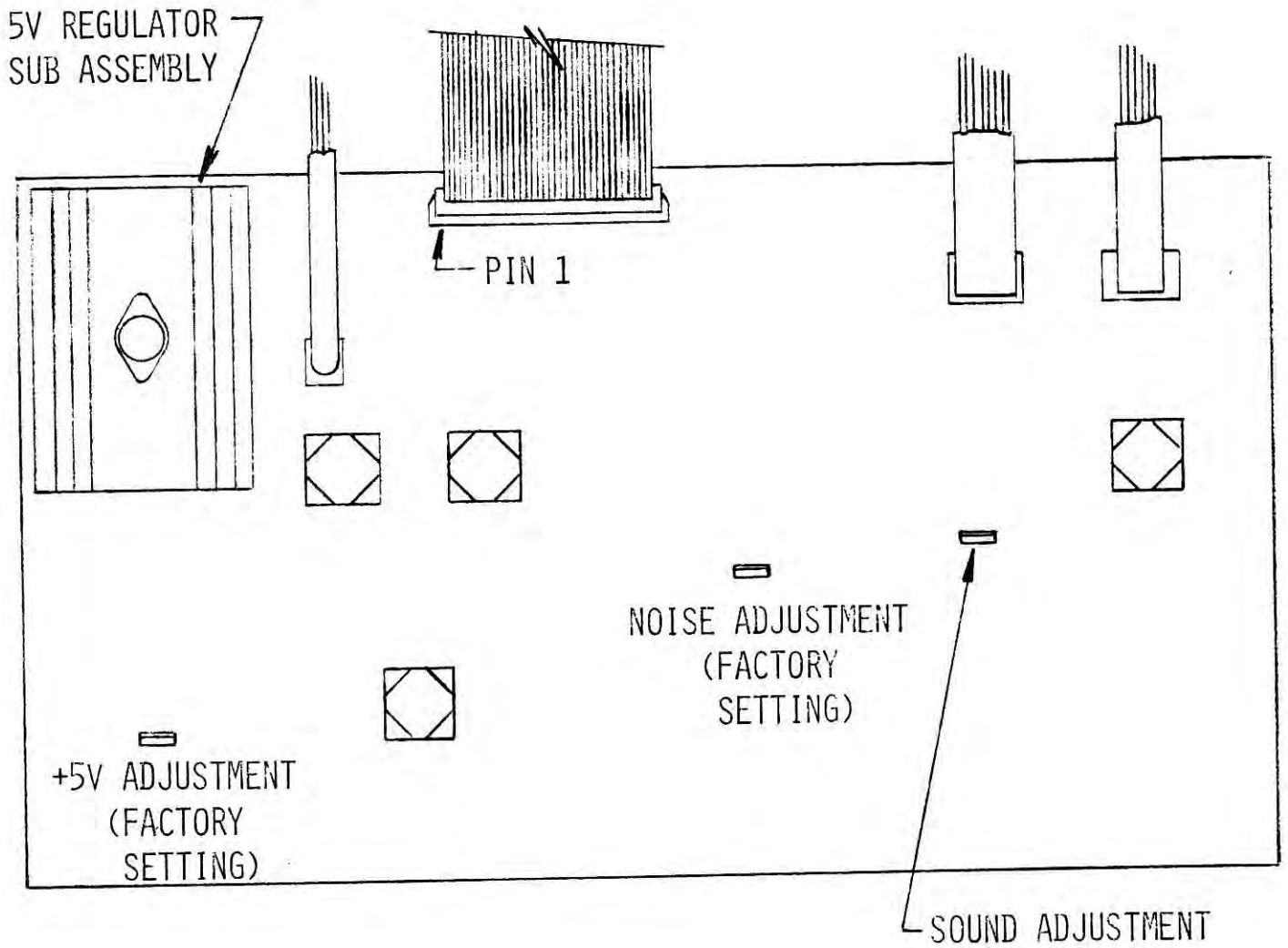


UNDERVIEW OF GUN CONTROL PANEL
FIGURE 5

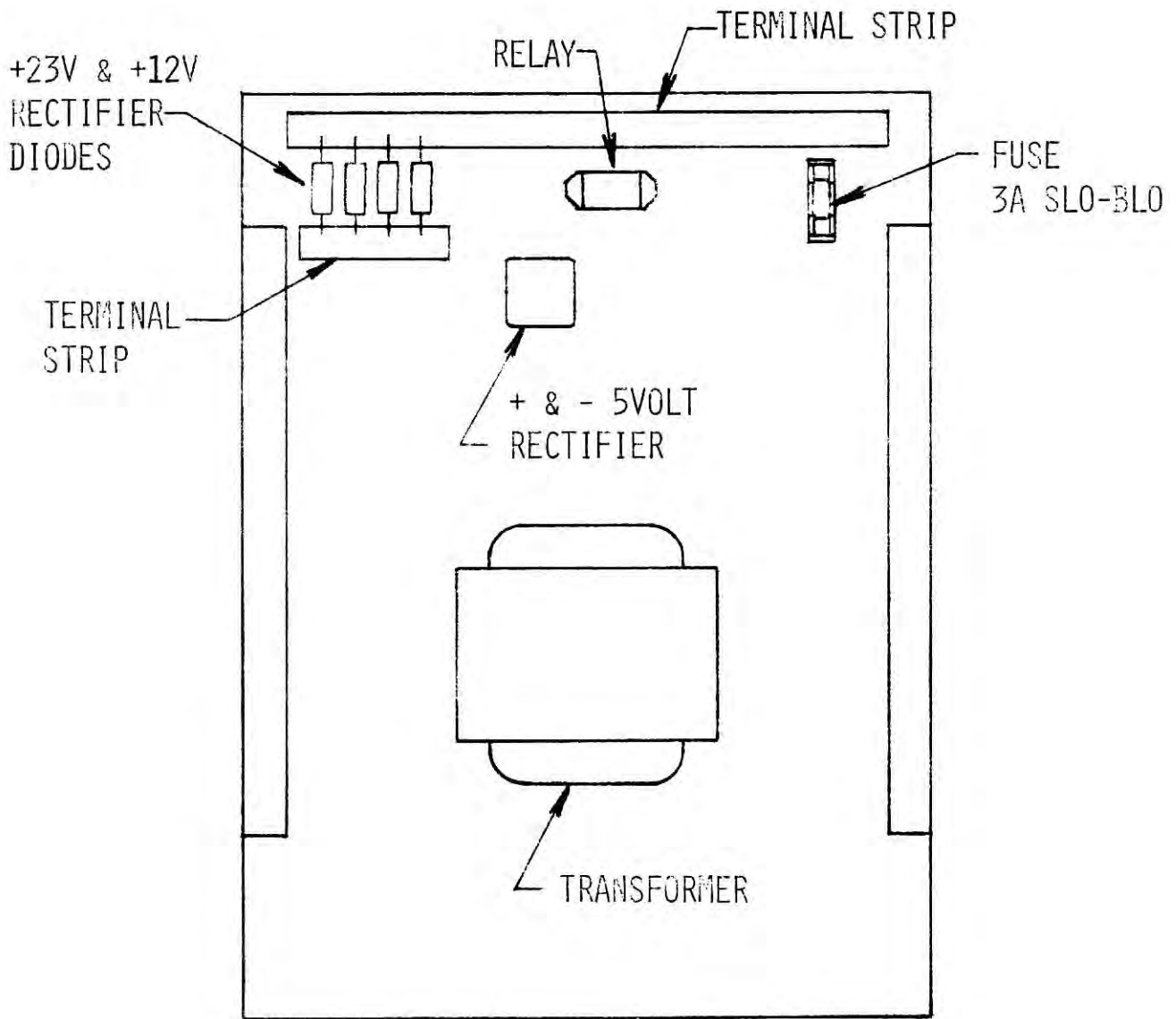
LOGIC BOARD AS POSITIONED IN CARD CAGE



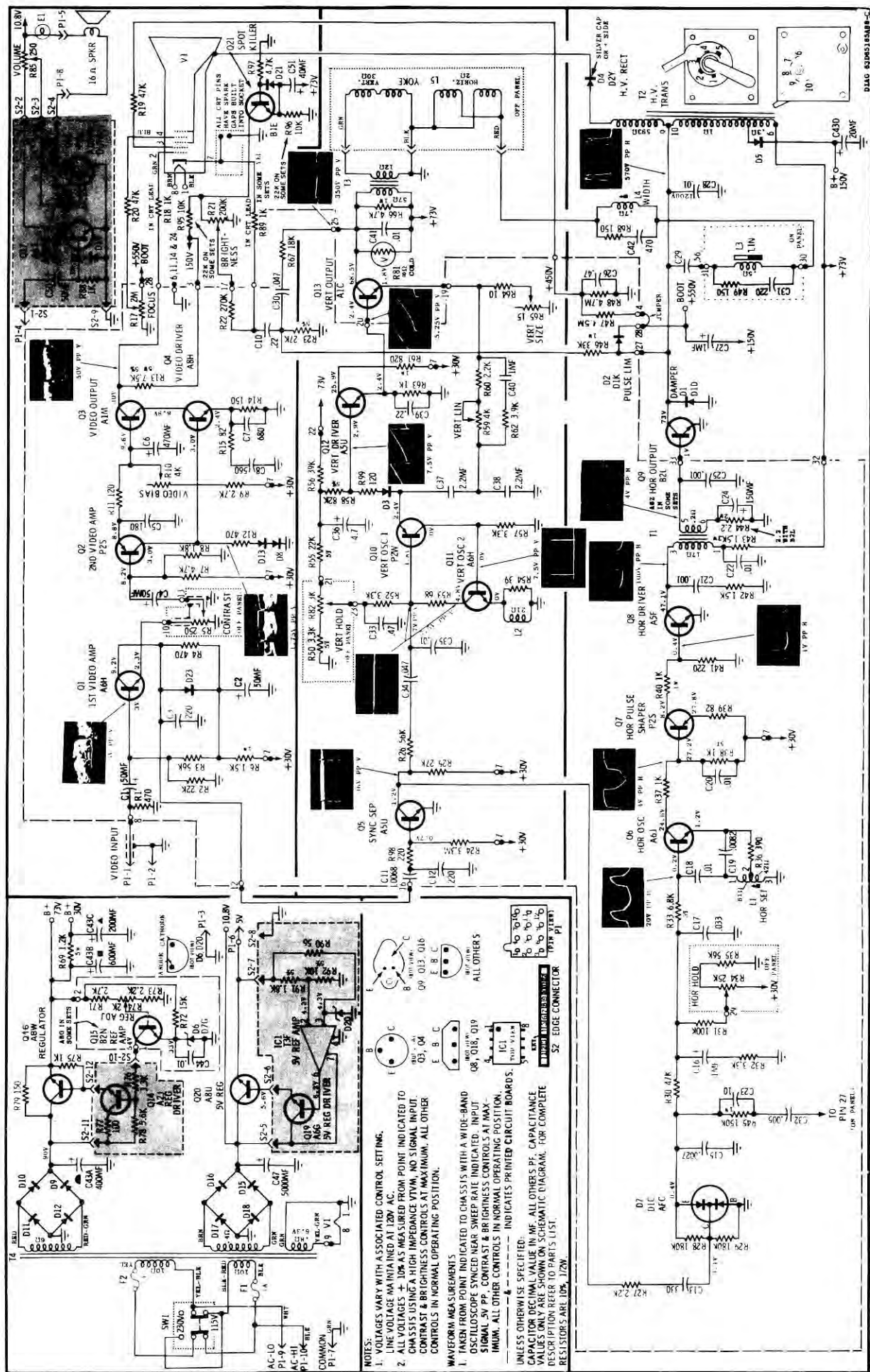
LOGIC BOARD
FIGURE 6



INTERFACE BOARD
 FIGURE 7



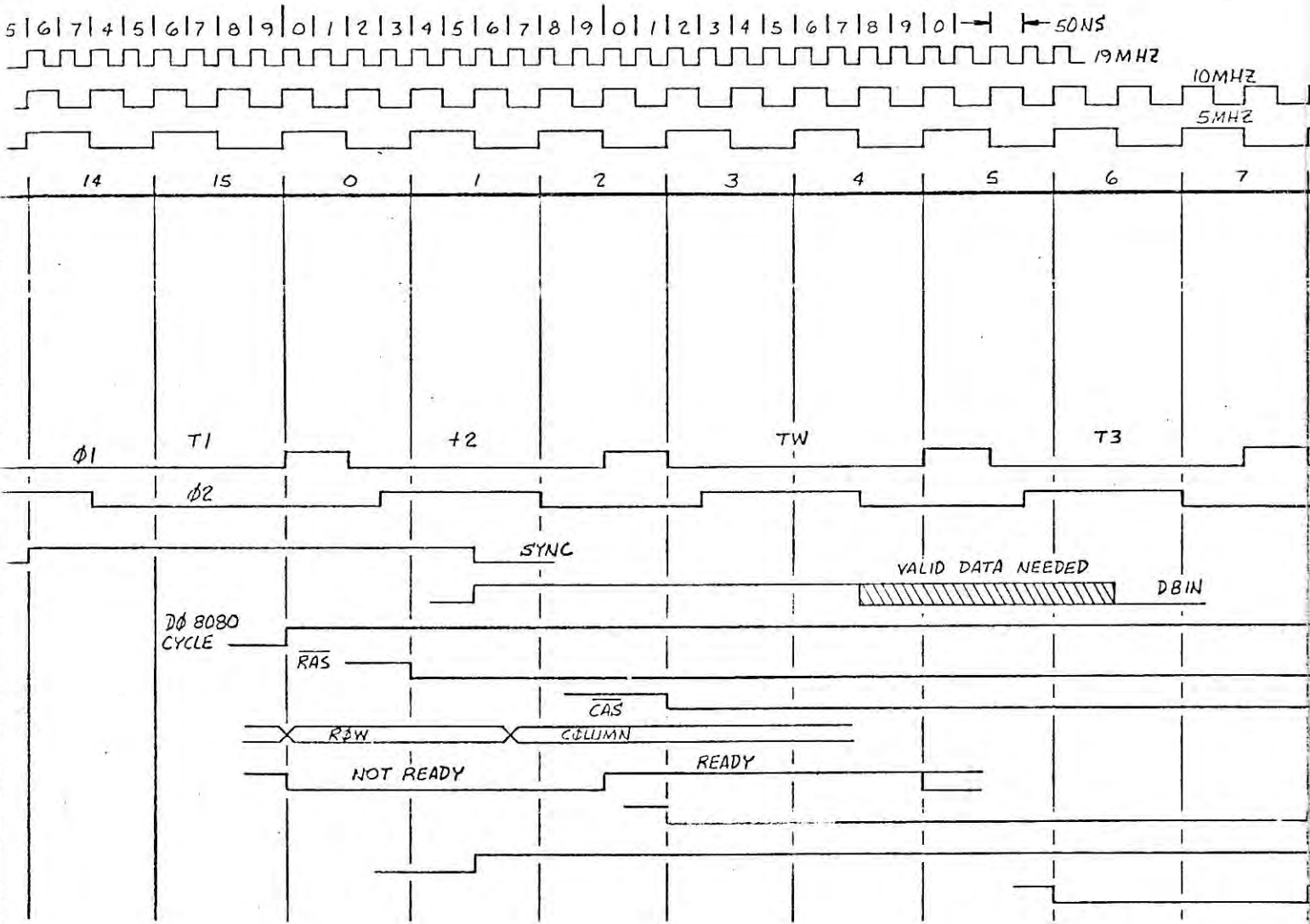
TRANSFORMER ASSEMBLY
FIGURE 8



Schematic Diagram

FIGURE 9 - T.V. MONITOR

NOTICE: THE USER SHALL BE RESPONSIBLE FOR ANY
 DAMAGE TO HIS EQUIPMENT CAUSED BY THE USE OF
 THIS INFORMATION. THE USER SHALL BE RESPONSIBLE FOR
 THE PROTECTION OF THIS INFORMATION FROM UNAUTHORIZED
 DISCLOSURE. THE USER SHALL BE RESPONSIBLE FOR THE
 PROTECTION OF THIS INFORMATION FROM UNAUTHORIZED
 DISCLOSURE. THE USER SHALL BE RESPONSIBLE FOR THE
 PROTECTION OF THIS INFORMATION FROM UNAUTHORIZED
 DISCLOSURE.



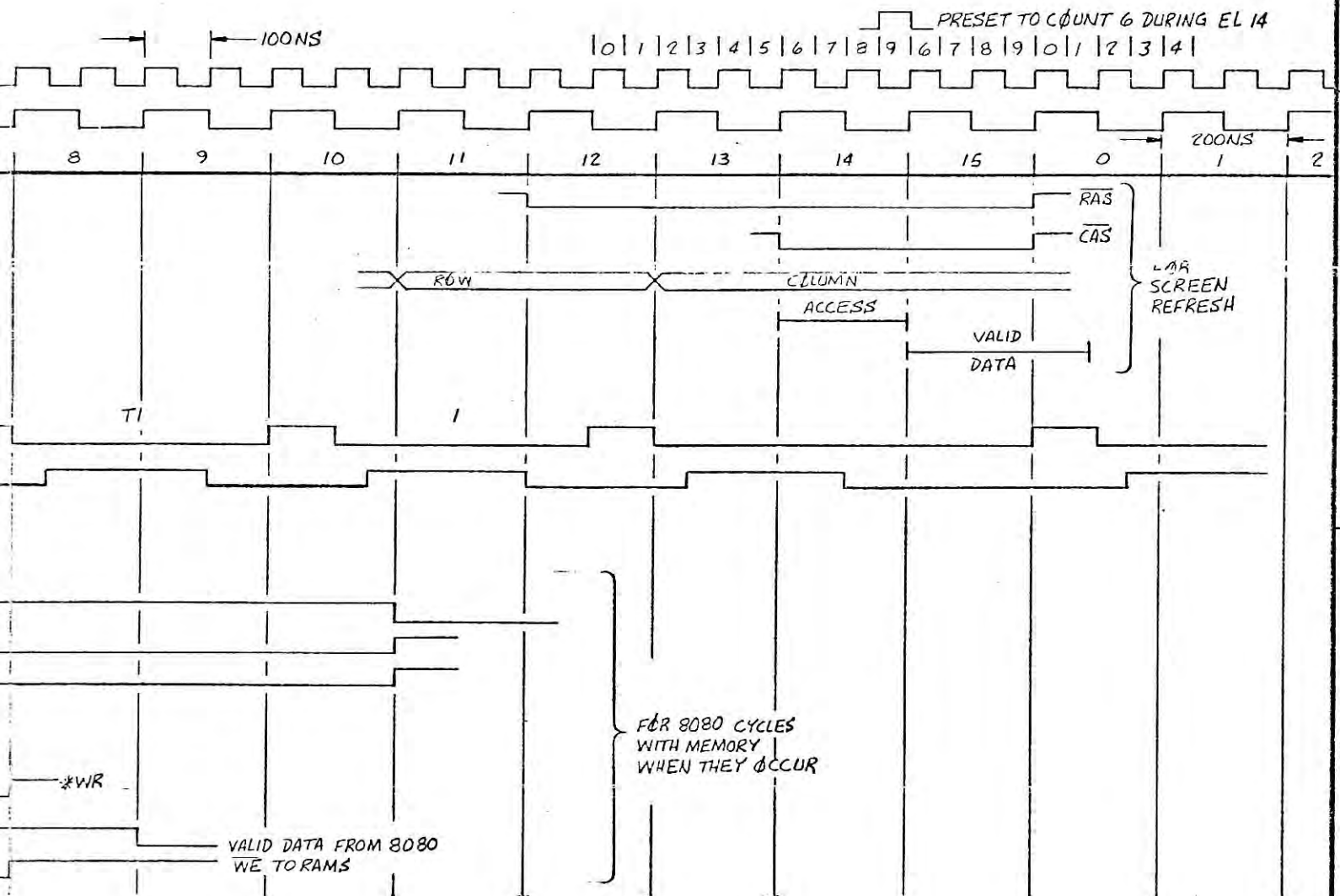
4

3

2

1

REVISIONS			
LTR	DESCRIPTION	APVD	DATE



QTY RECD	PART NO	ITEM DESCRIPTION	ITEM NO
----------	---------	------------------	---------

LIST OF MATERIALS

TOLERANCES UNLESS OTHERWISE SPECIFIED: DIMENSIONS: ALL DIMS & BREAK ALL SHARP EDGES.		DO NOT SCALE DRAWING		SIGNATURES		DATE	RAMTEK	
MATL	FINISH	CHK	ENG	APVD	OWN	T. HYLLESTED	3-5-79	TIMING DIAGRAM GAME BOARD M-79
NEXT ASSY					SIZE	SCALE	DWG NO.	REV
					<input type="checkbox"/> 1/8	<input type="checkbox"/> 1/4	550851	

4

3

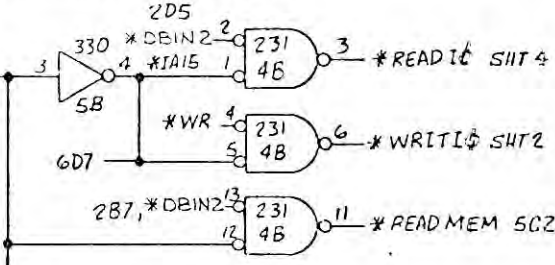
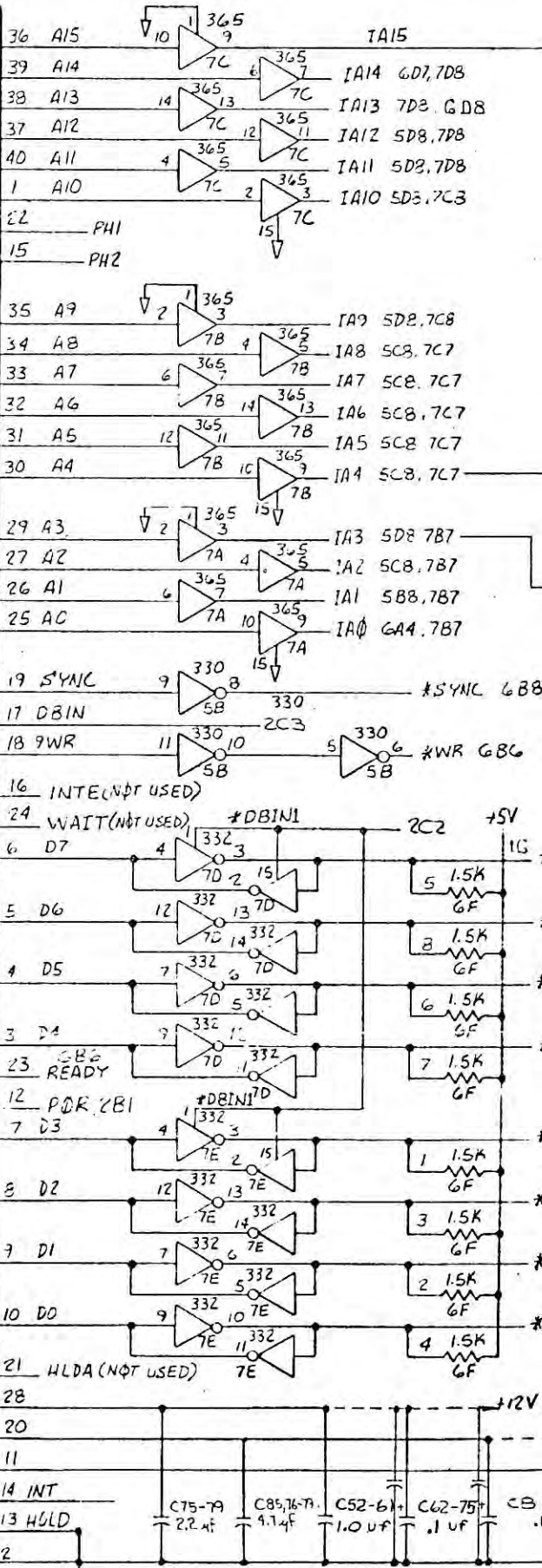
2

1

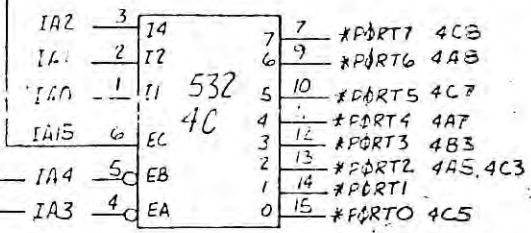
INTERNAL ADDRESS BUSS

CPU HANDSHAKE LINES

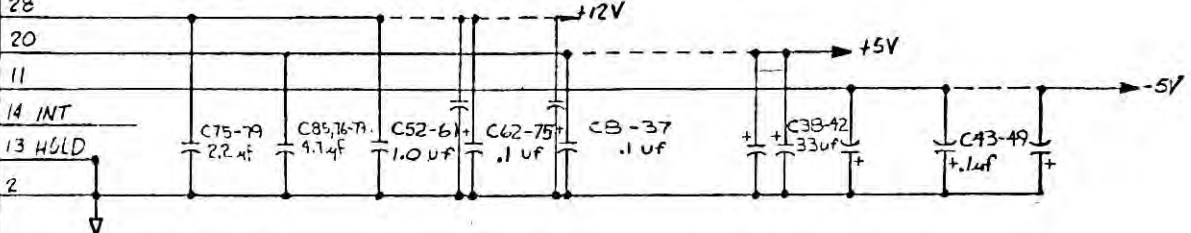
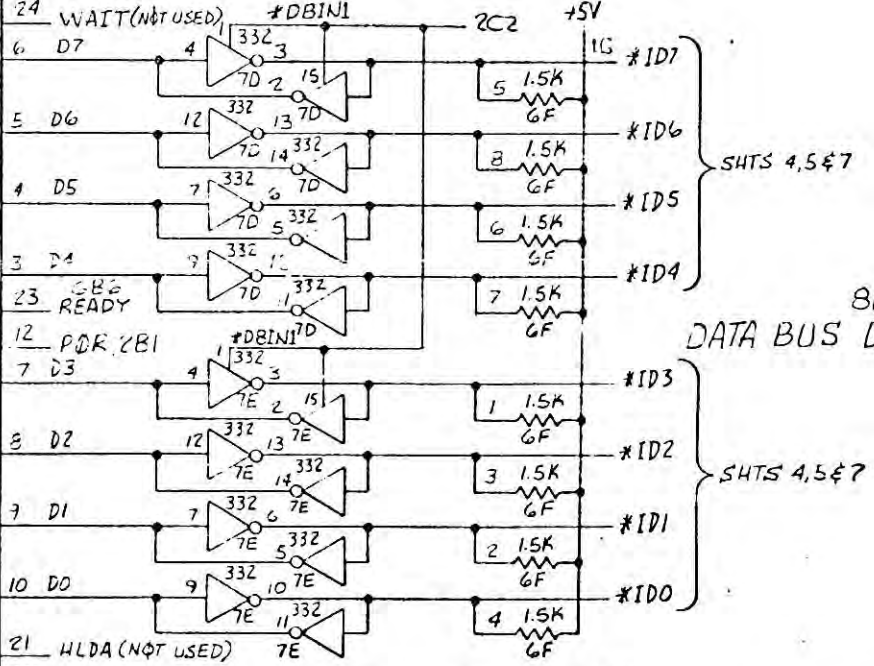
8080
CPU
6A,6B



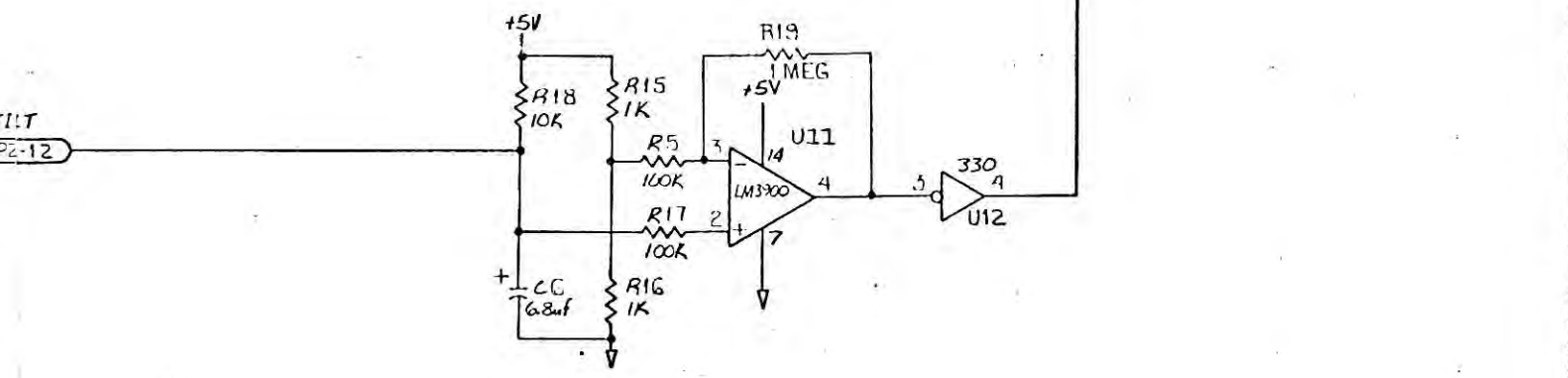
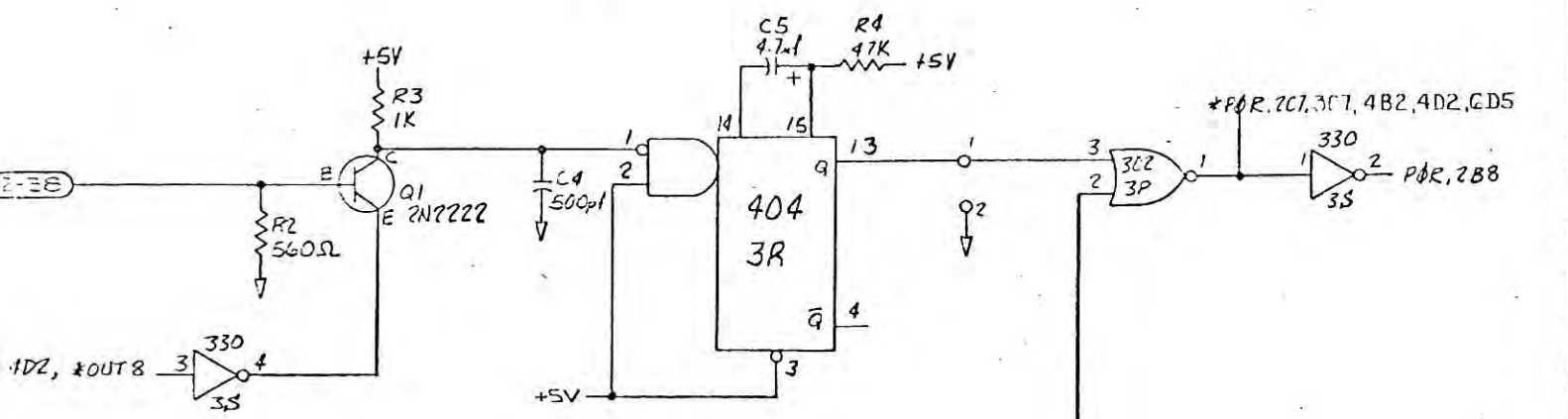
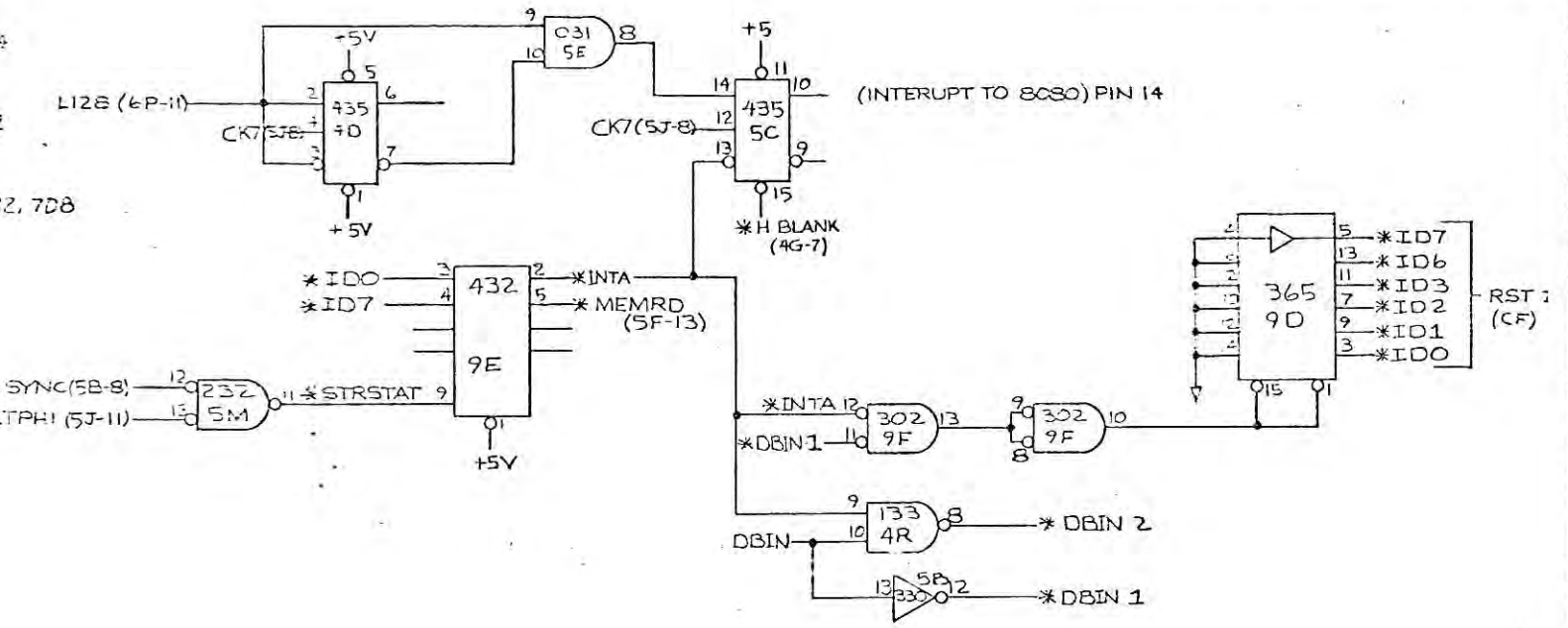
I/O PORT DECODING



8080 DATA BUS DRIVER/RECEIVERS



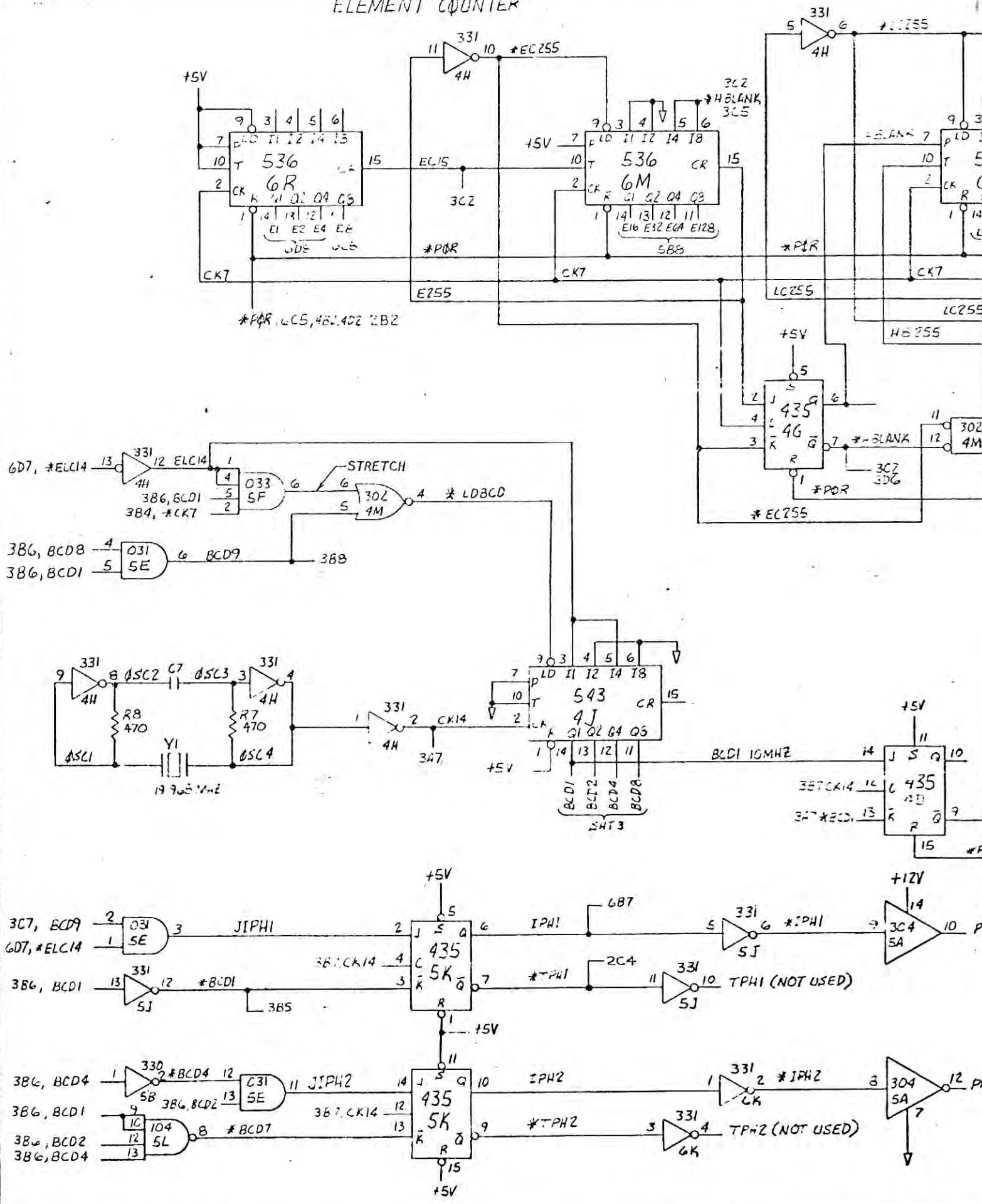
REVISIONS		
NO.	DESCRIPTION	APPRO. DATE



QTY REQD	PART NO	ITEM DESCRIPTION	ITEM NO
LIST OF MATERIALS			

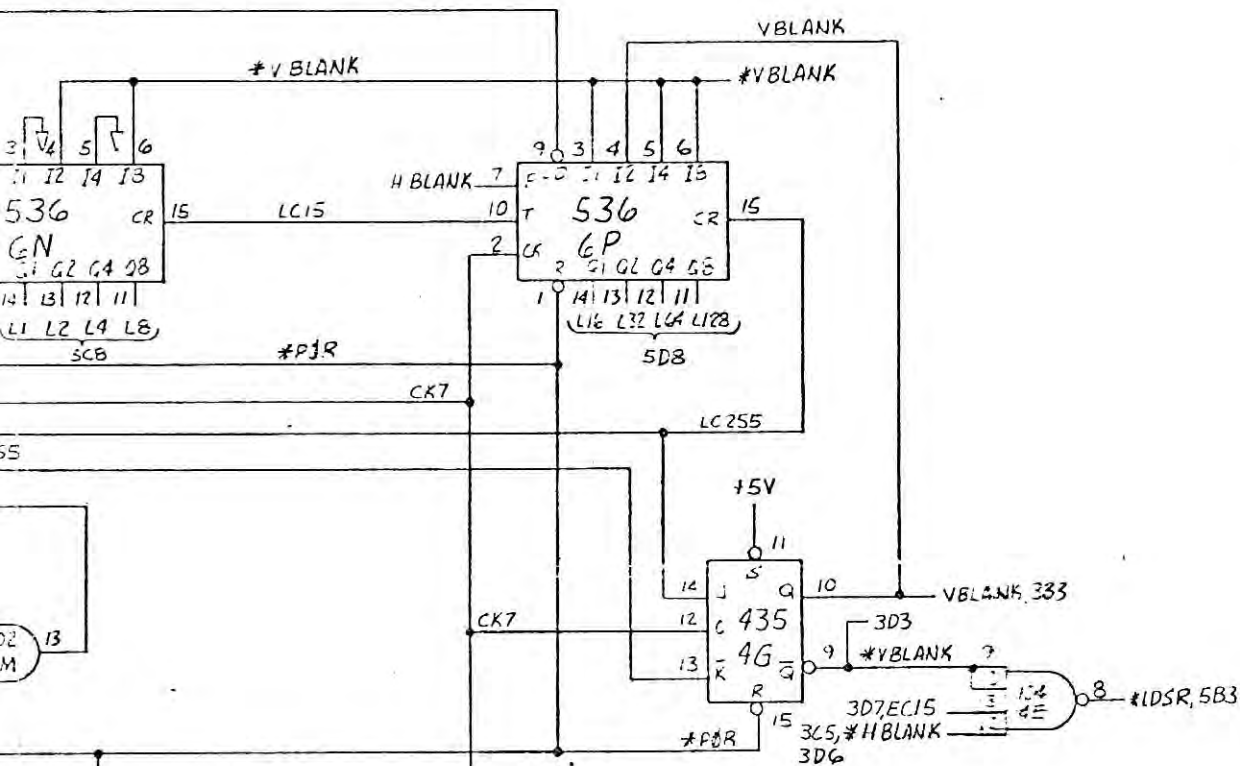
TOLERANCES UNLESS OTHERWISE SPECIFIED DIMENSIONS ALL DIMENSIONS & TOLERANCES ALL SHARP EDGES		DO NOT SCALE DRAWING		RAMTEK LOGIC DIAGRAM, GAME BD, M-79	
MATERIAL		SIGNATURES			
FINISH		OWN	1 HYLLESTED	3/7/79	SCALE
NEXT ASSY		CHK	GREEN		DWG NO
		ENG			REV
		APVD			550851

ELEMENT COUNTER



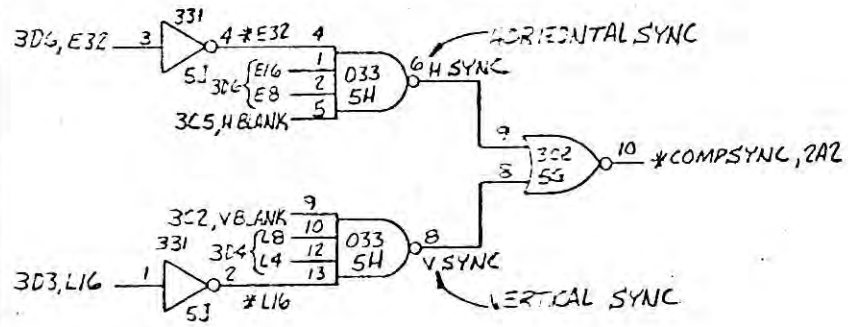
LINE COUNTER

REVISIONS			
REV	DESCRIPTION	APVD	DATE
1	SEE SHIT. 1		



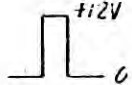
LOAD 16 BIT VIDEO S/R

COMPOSITE SYNC

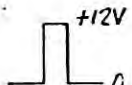


5MHZ CLOCK

PH1 $\phi 1$ CLOCK TO 8080



PH2 $\phi 2$ CLØCK TO 8080



QTY REQD	PART NO	ITEM DESCRIPTION	ITEM NO
LIST OF MATERIALS			
TOLERANCES		DO NOT SCALE DRAWING	
UNLESS SPECIFIED OTHERWISE		SCALE	DATE
ALL DIMENSIONS ARE IN INCHES		OWN	3-24-76
...		CHK	6-3-77
...		ENG	
...		APVD	
NEXT ASSY		SCALE	DWG NO
		1/8"	550851
			REV
			B

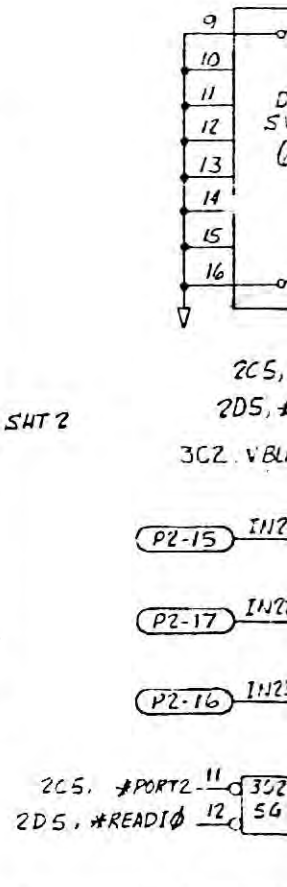
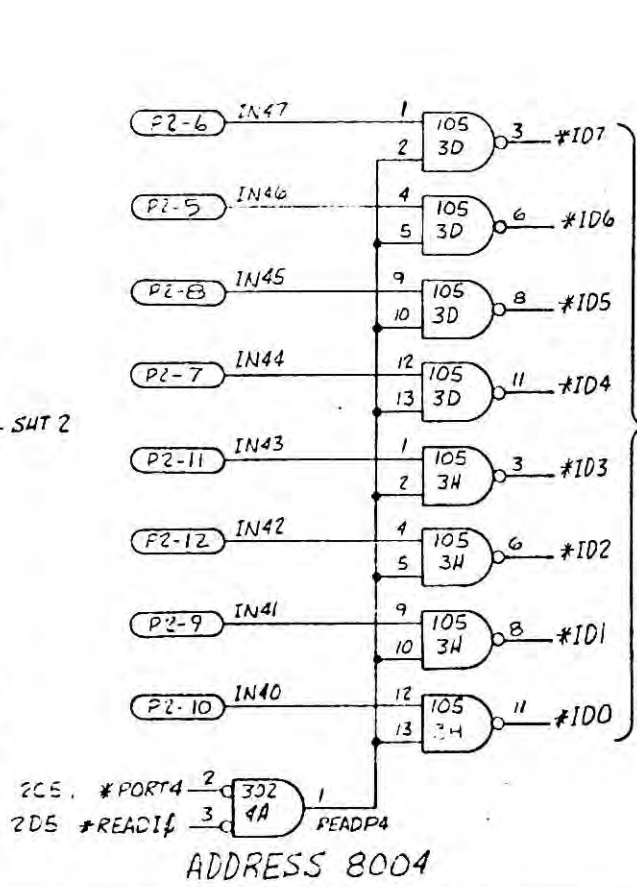
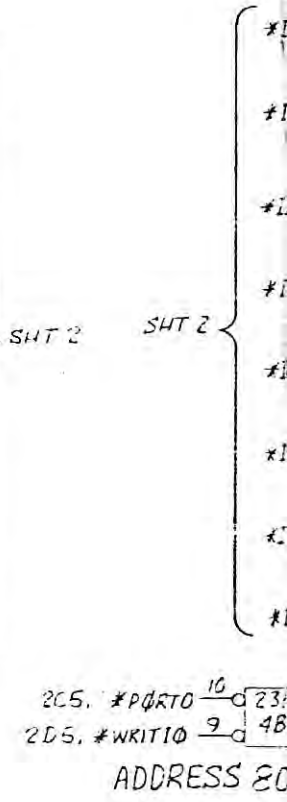
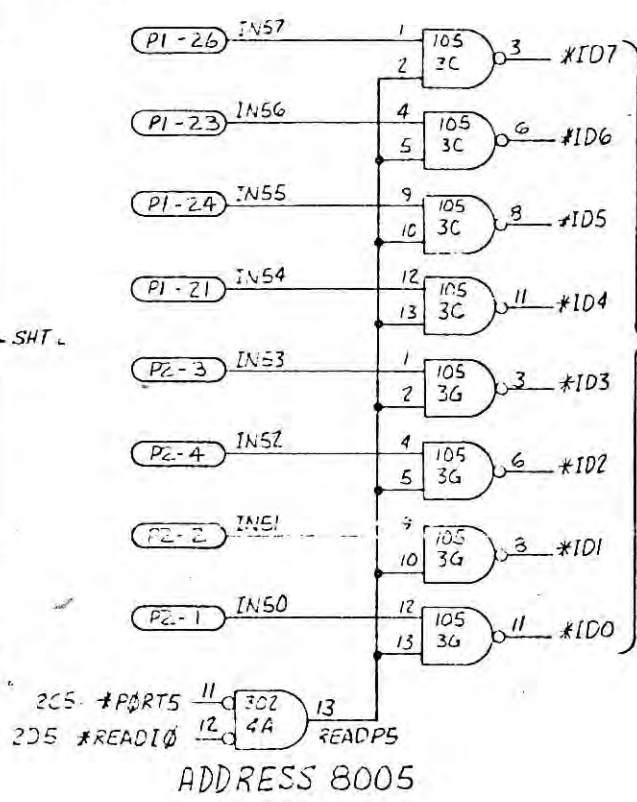
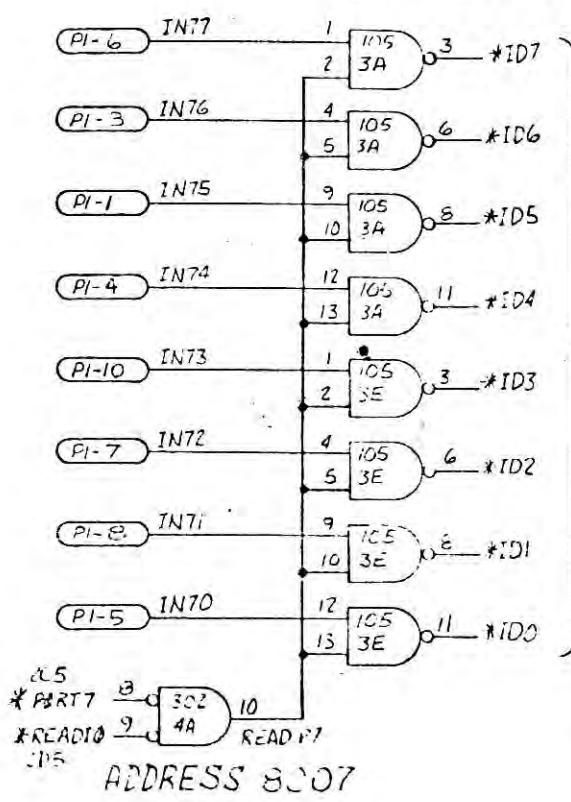
RAMTEK

LOGIC DIAGRAM, GAME BD, M-79

550851

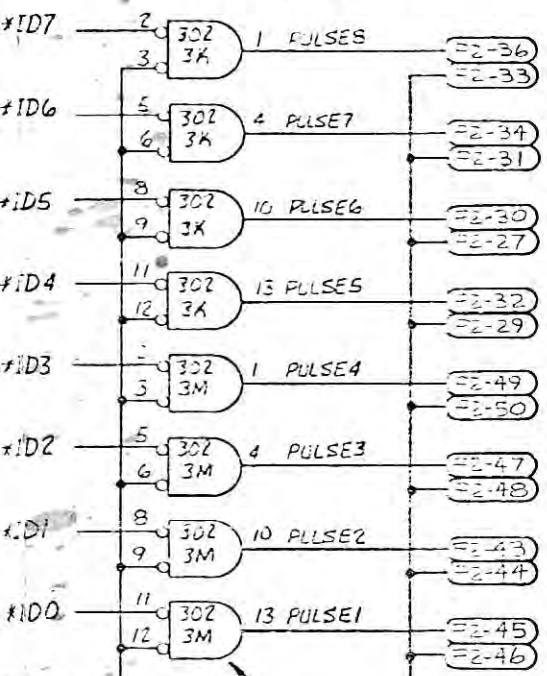
B

GAME SWITCH INPUTS

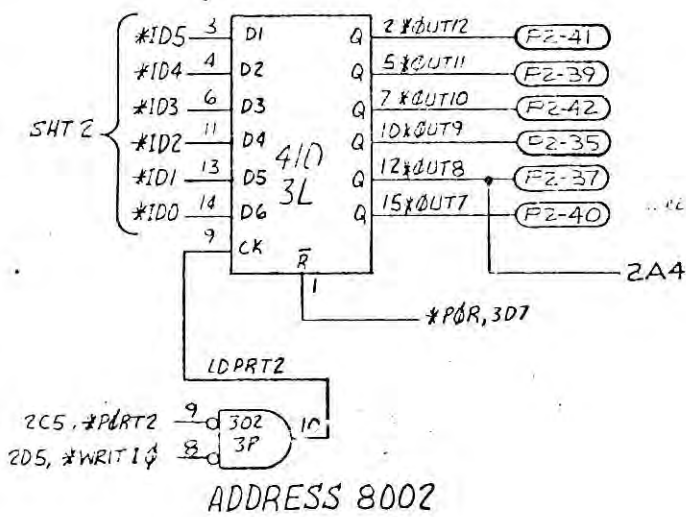


REVISIONS			
REV	DESCRIPTION	APPR	DATE
	SEE SH. 1		

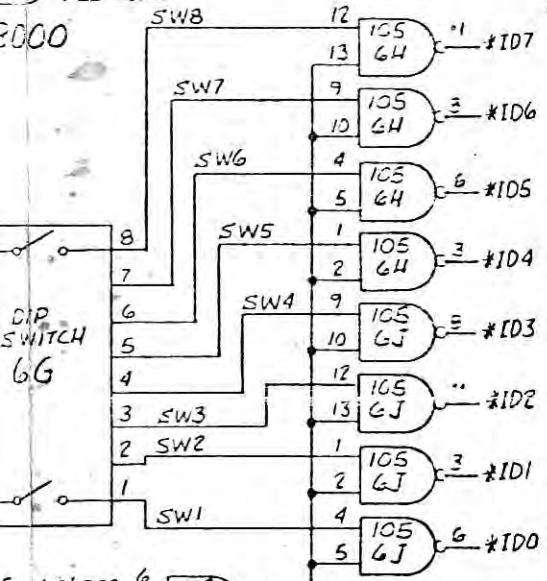
GAME PULSE OUTPUTS



GAME STATIC OUTPUTS SOUND CONTROL

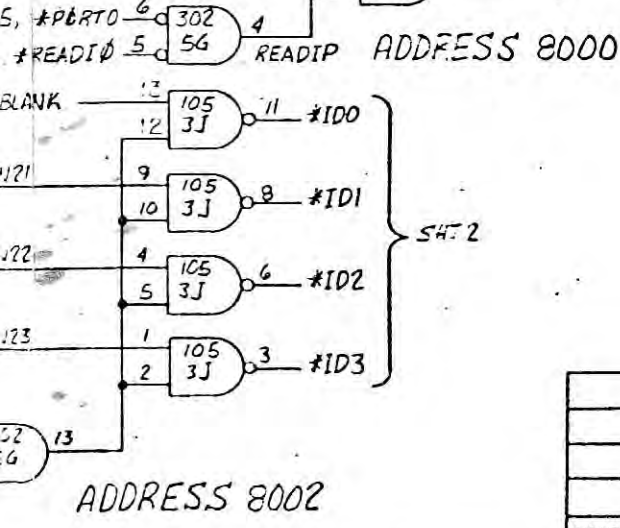


NOTE: USE OR GATES IF NEGATIVE GOING PULSE IS DESIRED



SELF TEST
 "1" = TURN ON LED (SELF TEST FAIL)
 "0" = TURN OFF LED

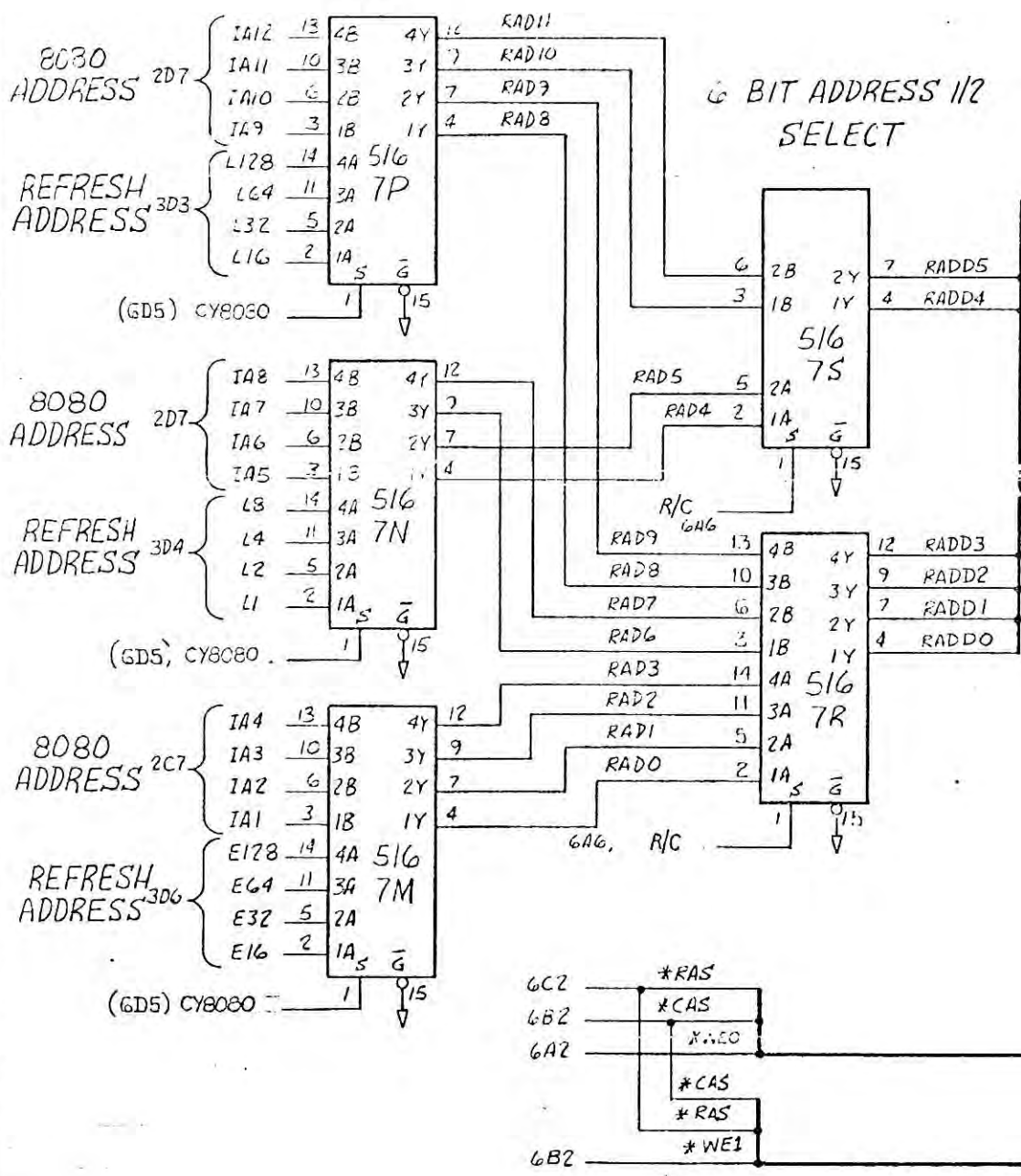
NOTE: POWER ON RESET OR RESET SWITCH WILL TURN ON "FAIL". "0" WILL TURN OFF FAIL TO INDICATE PASSING CONDITION.



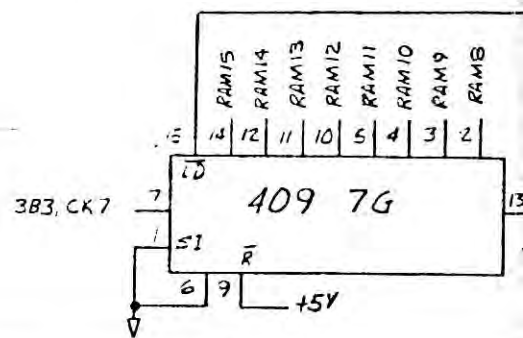
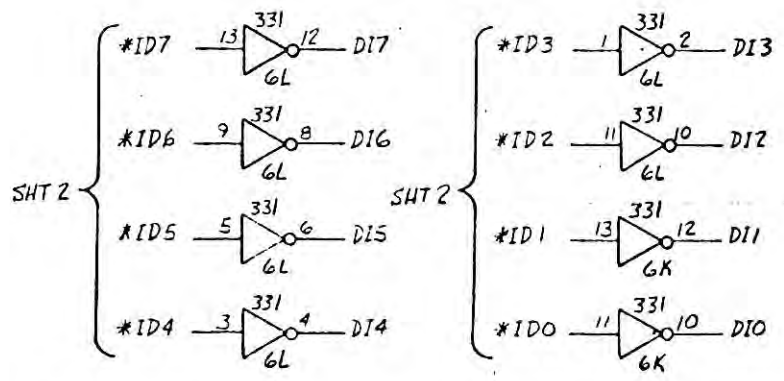
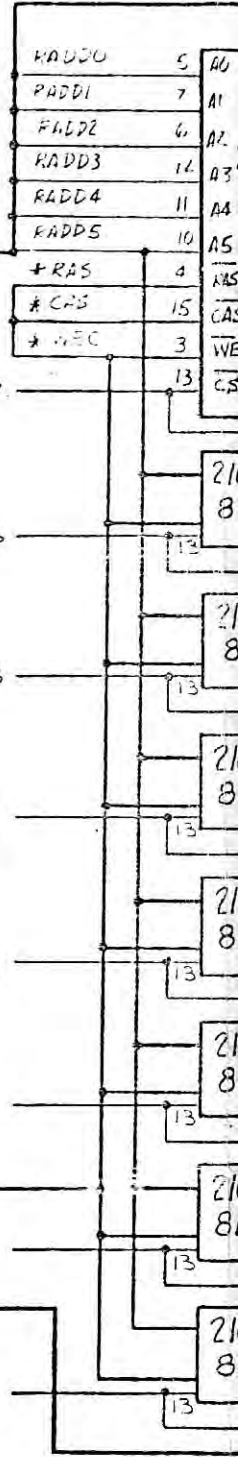
CITY	PART NO	ITEM DESCRIPTION	ITEM NO
LIST OF MATERIALS			
RAMTEK			
SIGNATURES		DATE	
OWN	T. HYLLESTED	3-23-74	
MAIL	CHK	3-3-77	
FINISH	APPR	3-27-77	
TOLERANCES		DO NOT SCALE DRAWING	
NEXT ASSY		REV	B
		550851	

ADDRESS 8002

REFRESH/8080 ADDRESS SELECT



EVEN
ADD

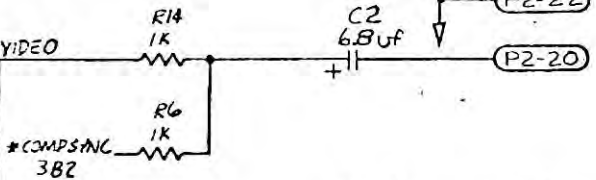
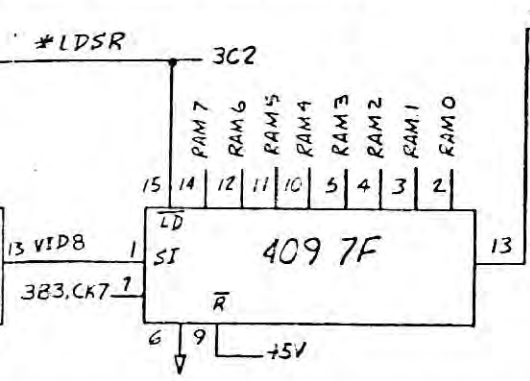
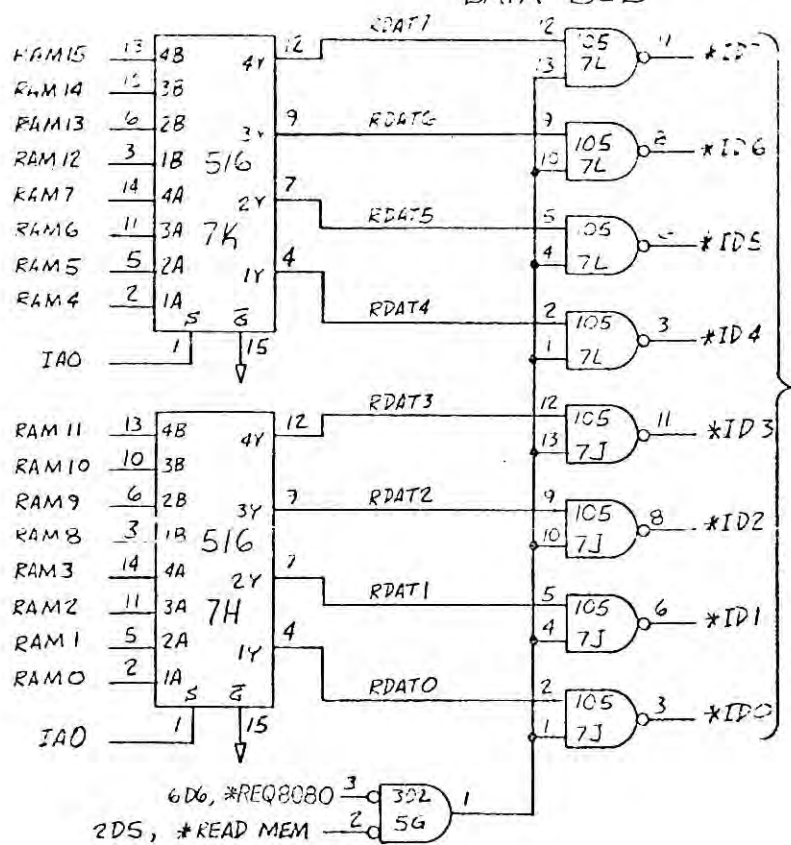
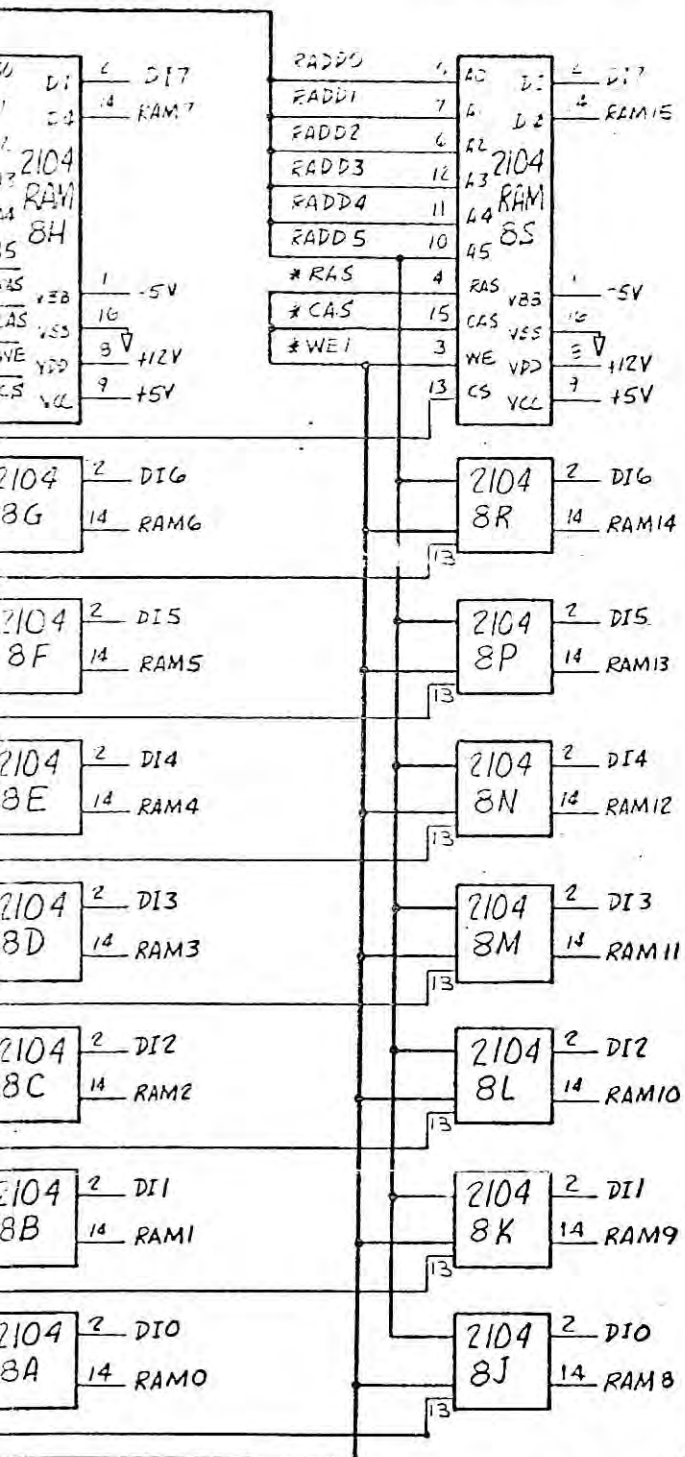


EN BYTE
DRESSES

ODD BYTE
ADDRESSES

BYTE
SELECT

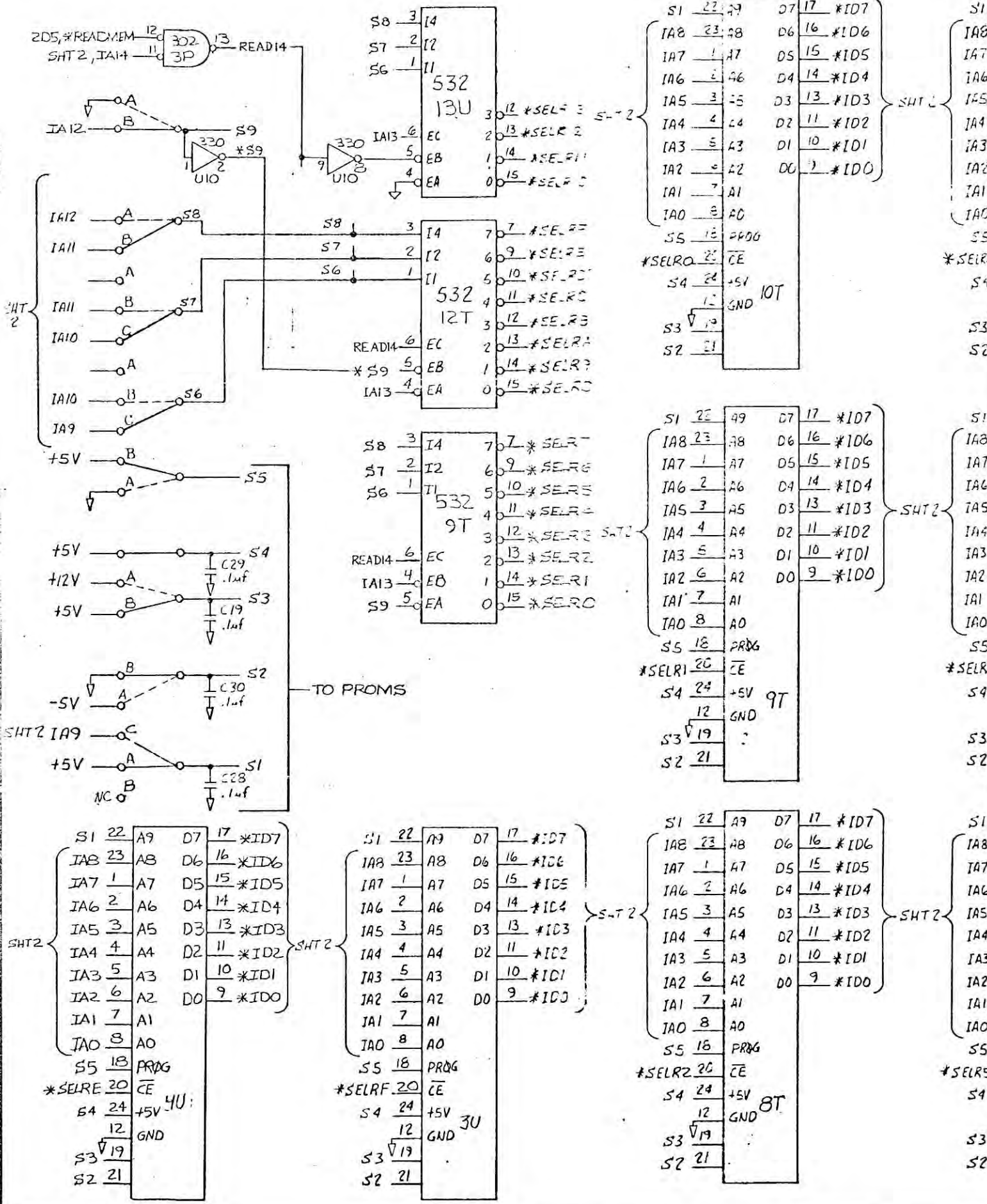
8080 INTERNAL
DATA BUS

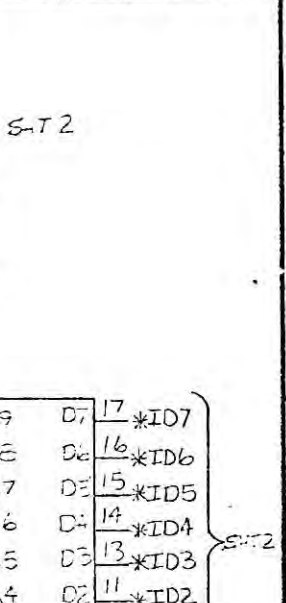
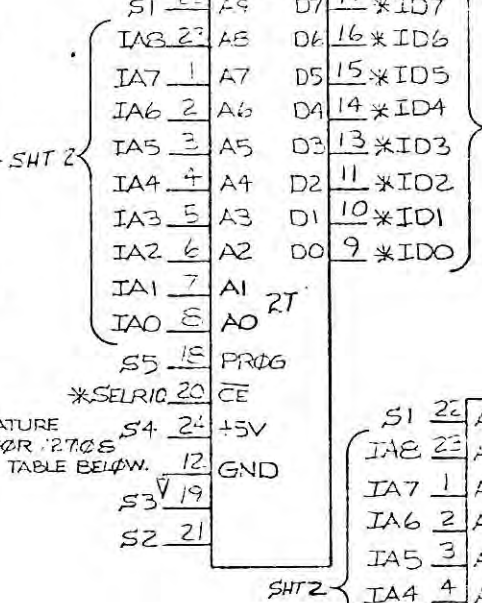
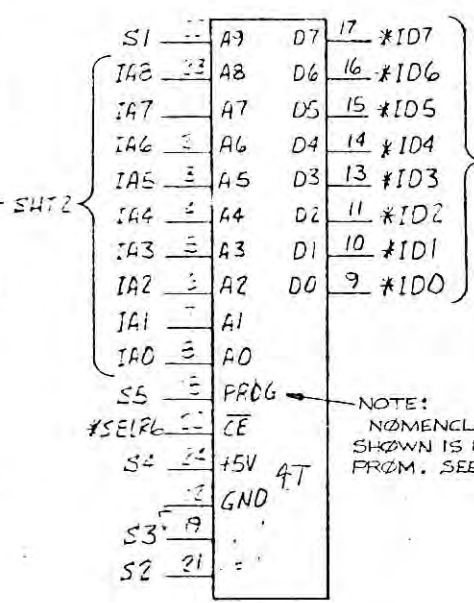
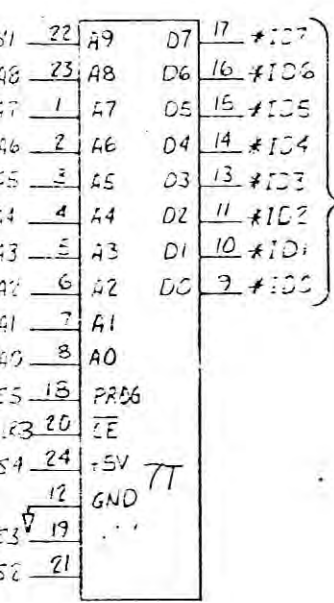


QTY	PART NO	ITEM DESCRIPTION	REV
		LIST OF MATERIALS	
		RAMTEK	
		LOGIC DIAGRAM, GAME BD,	
		M-79	
		SCALE	REV
		550851	

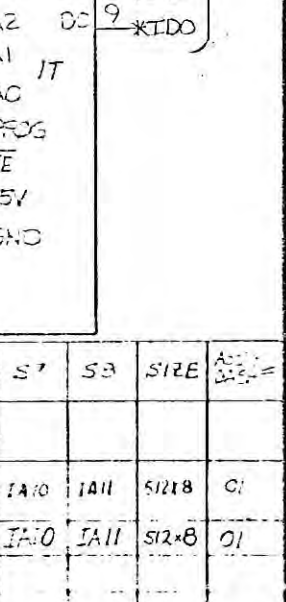
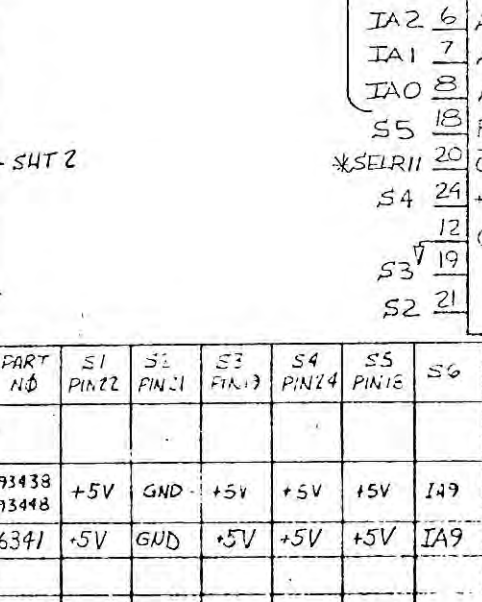
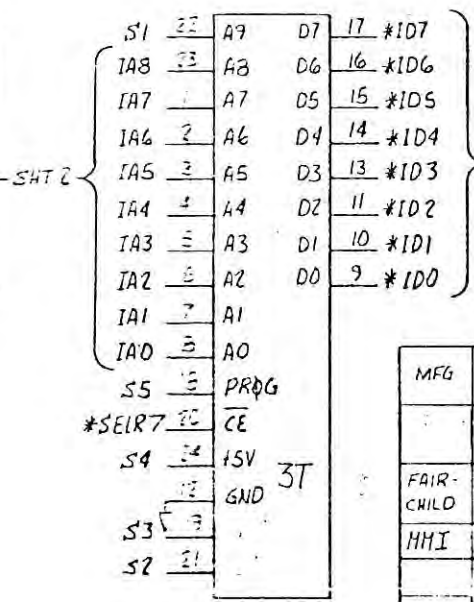
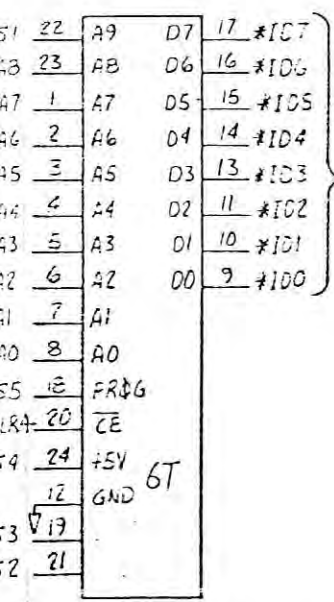
RAM SELECT DECODING

PROM MEMORY

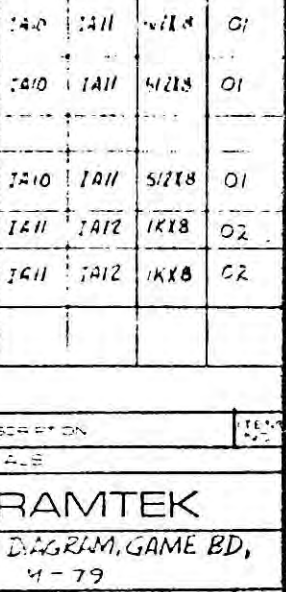
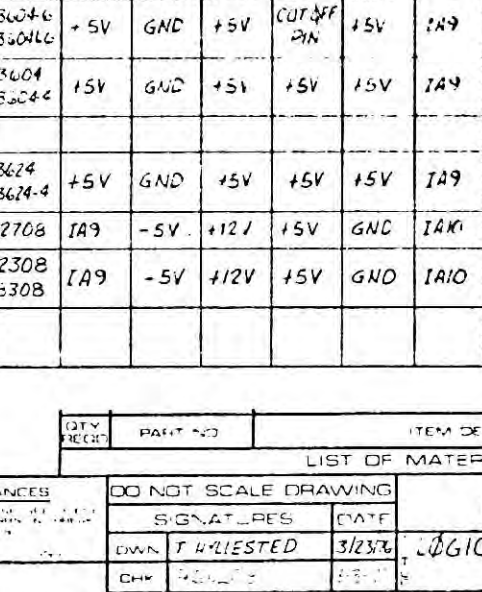
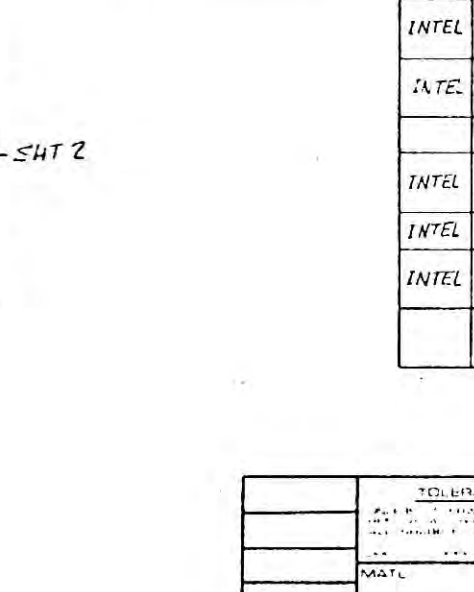
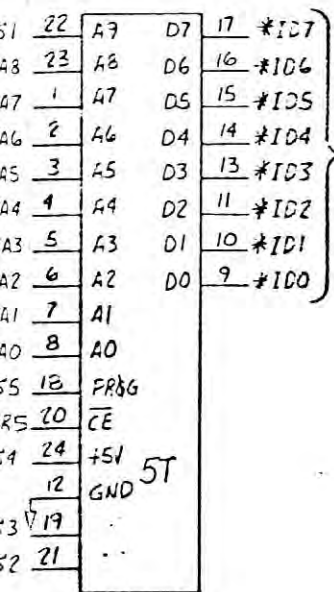




NOTE:
NOMENCLATURE
SHOWN IS FOR PAGES
FROM. SEE TABLE BELOW.



MFG	PART NO	S1 PIN22	S2 PIN21	S3 PIN13	S4 PIN24	S5 PIN16	S6	S7	S8	SIZE	ACT. DATE
FAIR-CHILD	93438 93448	+5V	GND	+5V	+5V	+5V	IA9	IA10	IA11	512x8	01
HMI	6341	+5V	GND	+5V	+5V	+5V	IA9	IA10	IA11	512x8	01
INTEL	3604 3604L6	+5V	GND	+5V	CUT OFF PIN	+5V	IA9	IA10	IA11	512x8	01
INTEL	3604 3604C	+5V	GND	+5V	+5V	+5V	IA9	IA10	IA11	512x8	01
INTEL	3624 3624-4	+5V	GND	+5V	+5V	+5V	IA9	IA10	IA11	512x8	01
INTEL	2708	IA9	-5V	+12V	+5V	GND	IA10	IA11	IA12	1Kx8	02
INTEL	2308 8308	IA9	-5V	+12V	+5V	GND	IA10	IA11	IA12	1Kx8	02

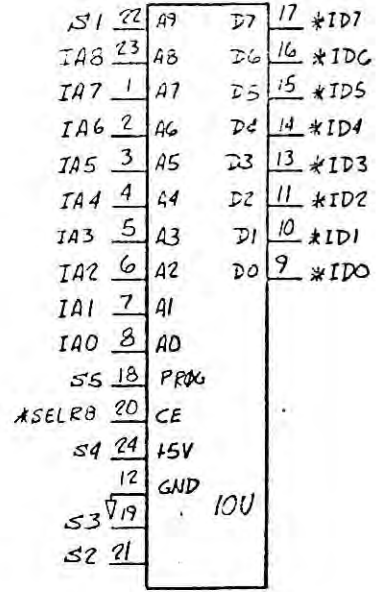
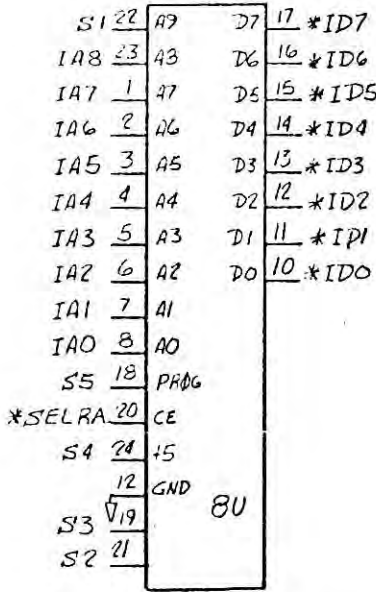
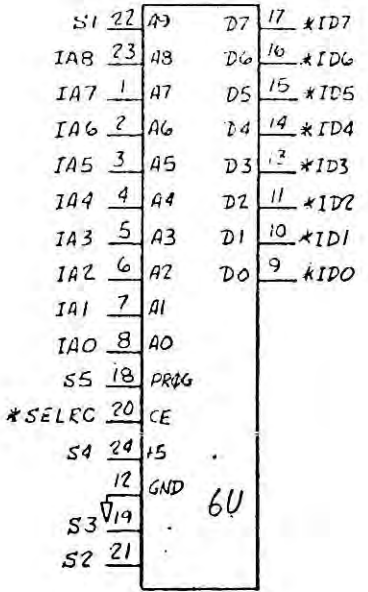
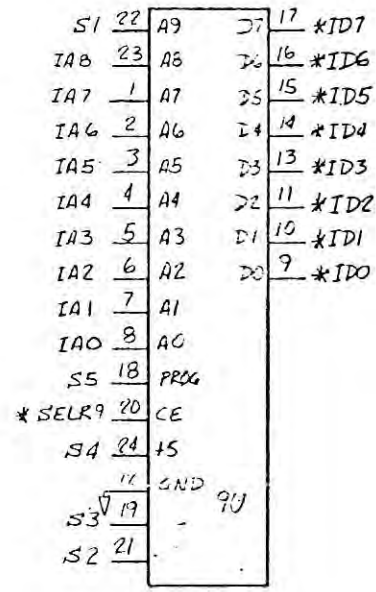
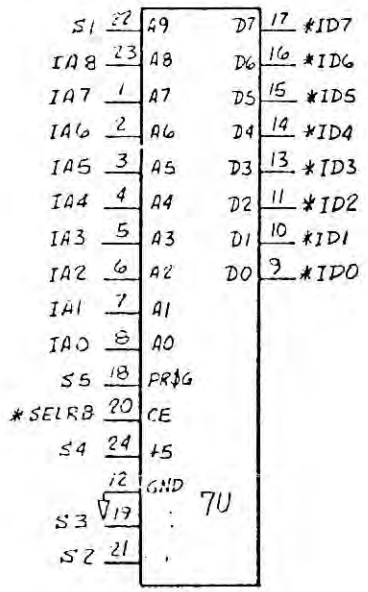
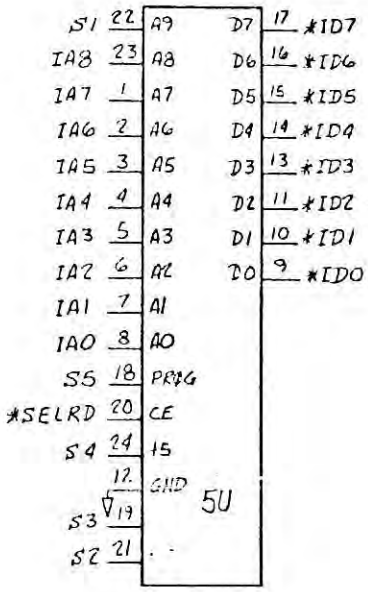


QTY	PART NO	ITEM DESCRIPTION	REV
LIST OF MATERIALS			
TOLERANCES		DO NOT SCALE DRAWING	
MATERIAL		SIGNATURES	DATE
FINISH		DWN	T. HARRISTED 3/23/76
NEXT ASSY		CHK	3/23/76
		APV	3/23/76

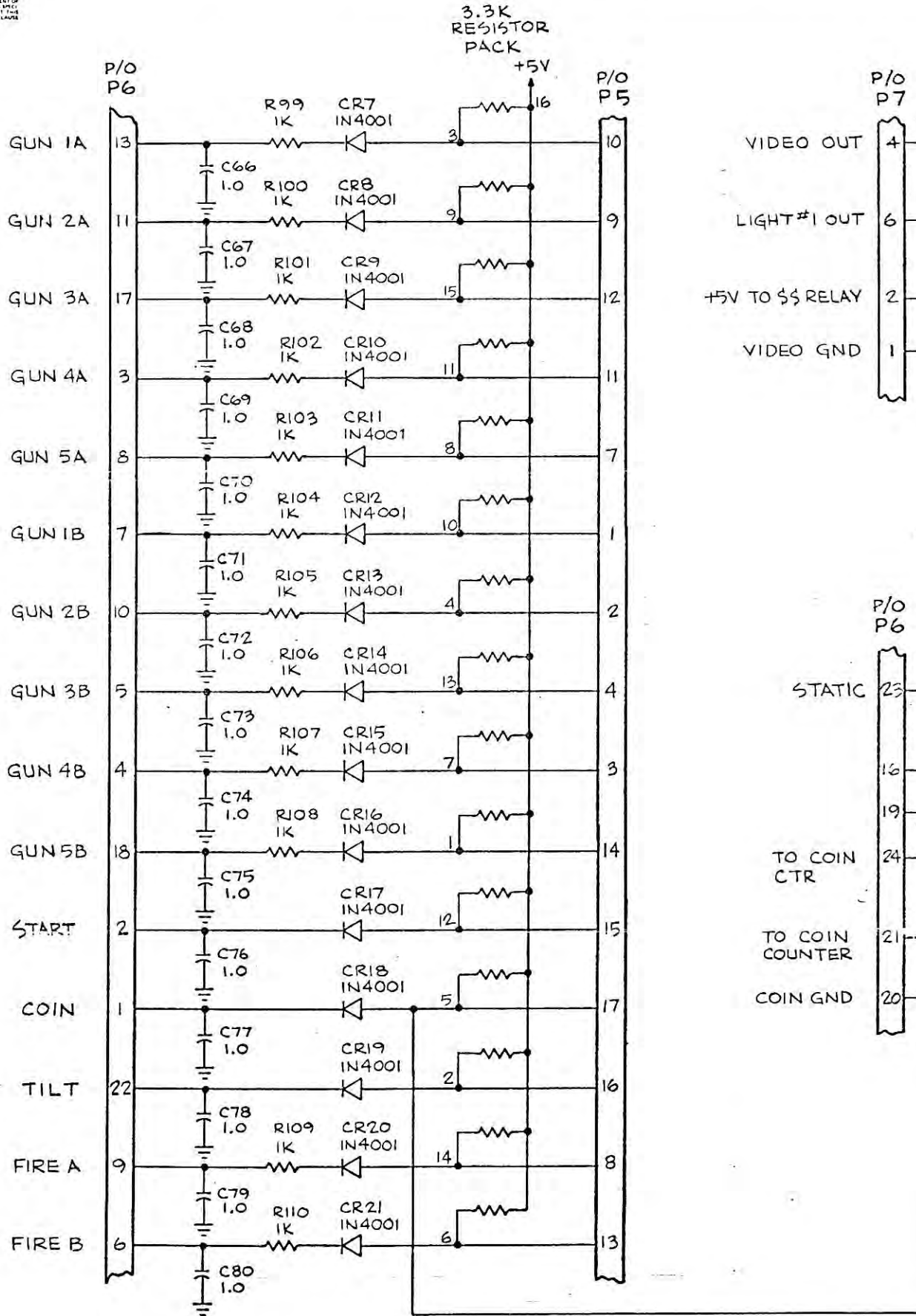
RAMTEK

LOGIC DIAGRAM, GAME BD,
M-79

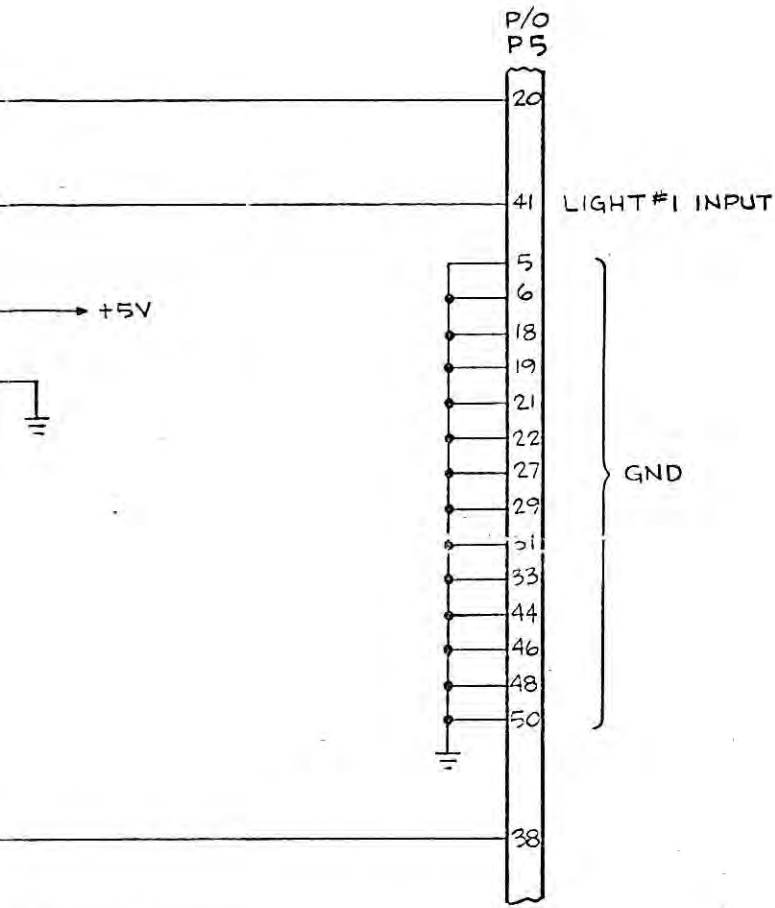
550851



NOTICE: THIS DRAWING SHALL NOT BE REPRODUCED OR USED FOR ANY PURPOSES WITHOUT THE WRITTEN PERMISSION OF THE CONTRACTOR. THE CONTRACTOR SHALL BE RESPONSIBLE FOR THE PROTECTION OF THIS DRAWING AND SHALL BE RESPONSIBLE FOR THE PROTECTION OF THE CONTRACTOR'S INFORMATION.

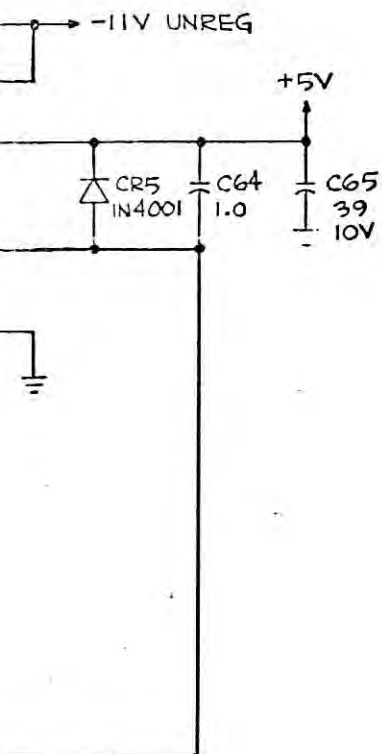


REVISIONS			
LTR	DESCRIPTION	APVD	DATE
A	PROTO		
B	REV PER ECO 507439		



NOTES: UNLESS OTHERWISE SPECIFIED

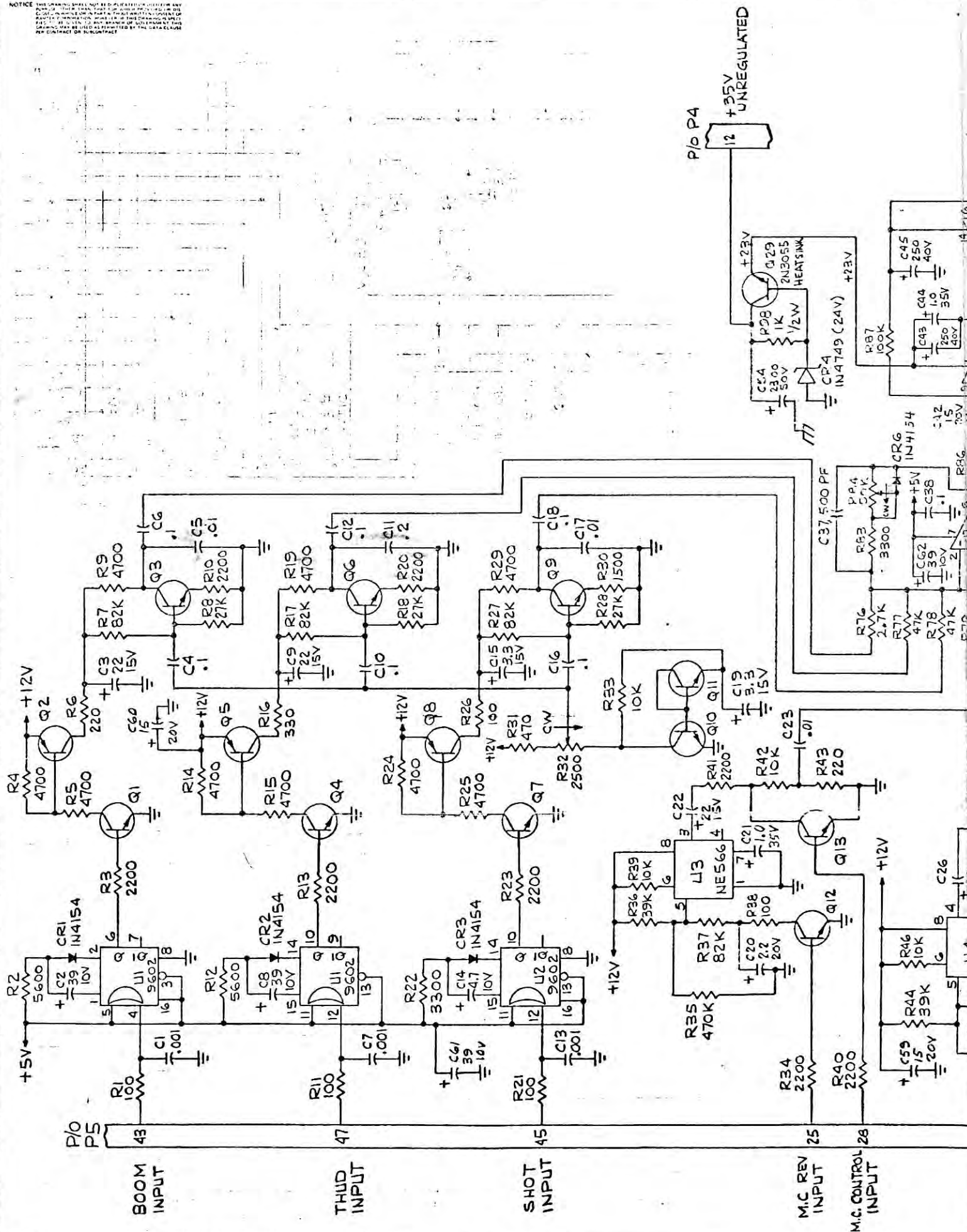
1. ALL RESISTANCE VALUES IN OHMS, 1/4W±5%.
2. ALL CAPACITANCE VALUES IN MICROFARADS.
3. REF DWGS: FAB DWG 550855
ASSY DWG 550856

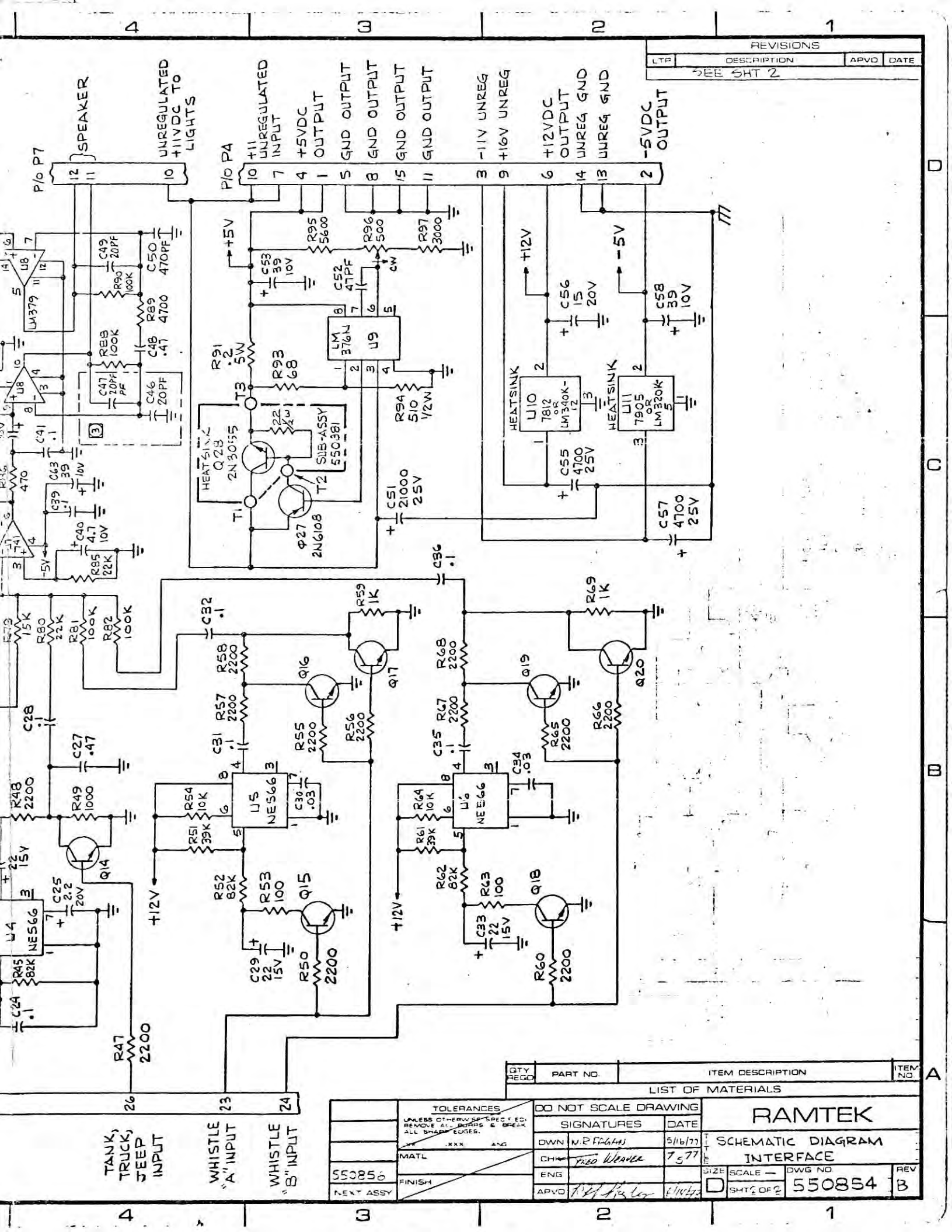


QTY REQD	PART NO.	ITEM DESCRIPTION	ITEM NO.
LIST OF MATERIALS			

550856	TOLERANCES UNLESS OTHERWISE SPECIFIED: REMOVE ALL BURRS & BREAK ALL SHARP EDGES.	DO NOT SCALE DRAWING		RAMTEK SCHEMATIC DIAGRAM- INTERFACE	
	MATL	SIGNATURES	DATE		
NEXT ASSY	FINISH	DWN	7 27	ENR	7 3 77
		APVC		SIZE	SCALE -
				SH1 OF 2	DWG NO. 550854
					REV B

NOTICE: THE INFORMATION CONTAINED HEREIN IS UNCLASSIFIED EXCEPT WHERE SHOWN OTHERWISE. IT IS THE POLICY OF THE NATIONAL ARCHIVES TO MAKE AVAILABLE TO THE PUBLIC ALL INFORMATION CONTAINED HEREIN THAT IS NOT LAWFULLY RESTRICTED FROM PUBLIC RELEASE. ANY REVISIONS TO THIS DOCUMENT WILL BE INDICATED BY A CHANGE BAR OR BY A CORRECTION TO THE ORIGINAL DOCUMENT. THIS DOCUMENT IS THE PROPERTY OF THE NATIONAL ARCHIVES AND IS LOANED TO YOUR AGENCY OR INDIVIDUAL. IT IS TO BE RETURNED TO THE NATIONAL ARCHIVES UPON REQUEST.





REVISIONS		
LTP	DESCRIPTION	APVD DATE
	SEE SHT 2	

QTY	PART NO.	ITEM DESCRIPTION	ITEM NO.

LIST OF MATERIALS

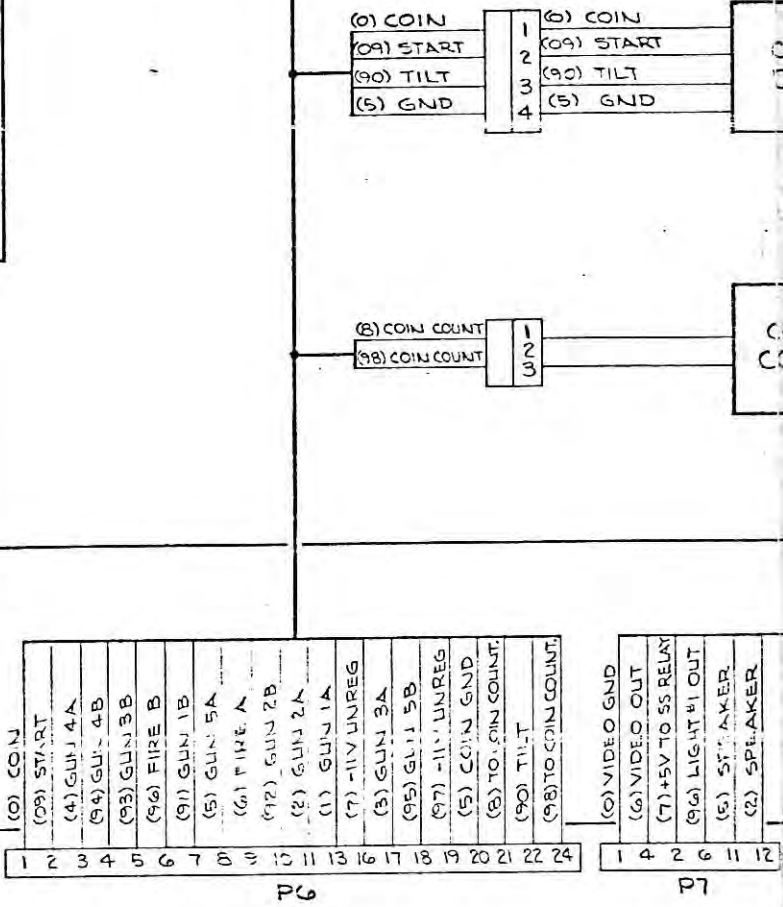
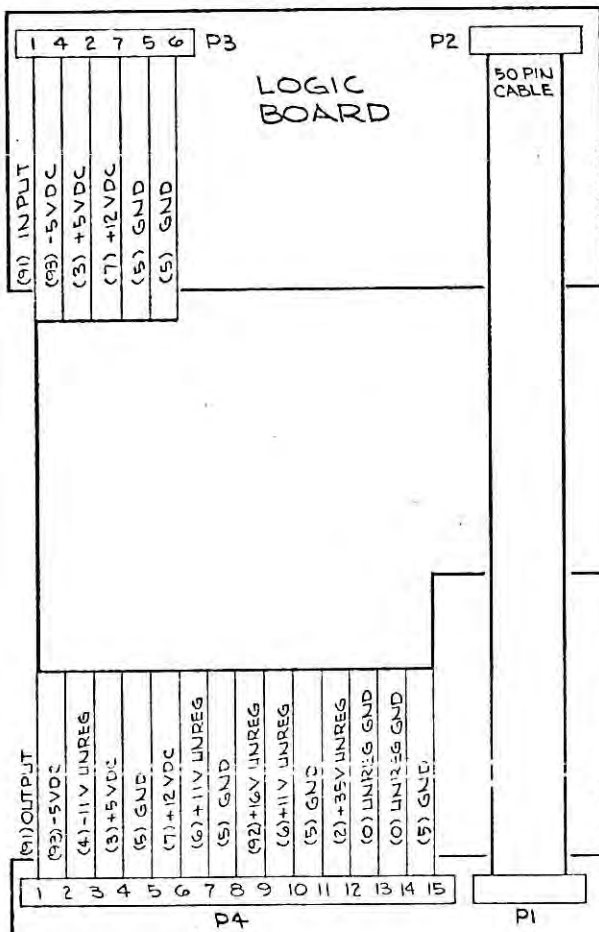
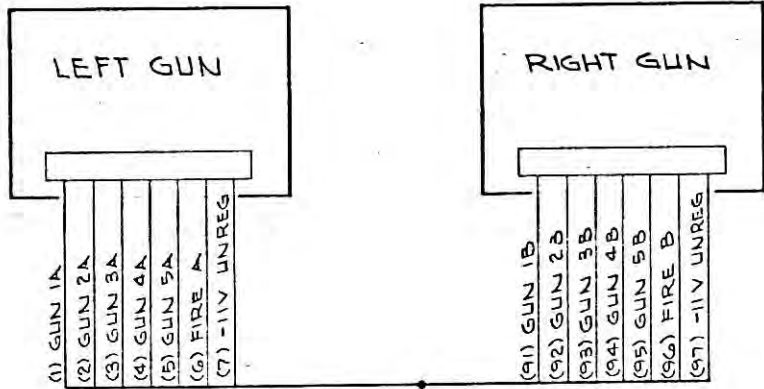
<p>TOLERANCES UNLESS OTHERWISE SPECIFIED REMOVE ALL DIMENSIONS & BREAK ALL SHARP EDGES.</p>		<p>DO NOT SCALE DRAWING</p>	
<p>SIGNATURES</p>		<p>DATE</p>	
<p>DOWN</p>		<p>5/16/77</p>	
<p>CHK</p>		<p>7/5/77</p>	
<p>ENG</p>		<p>SIZE</p>	
<p>APVD</p>		<p>SCALE</p>	
<p>550856</p>		<p>DWG NO</p>	
<p>FINISH</p>		<p>SHT 2 OF 2</p>	
<p>550856</p>		<p>550854</p>	
<p>REV</p>		<p>B</p>	

TANK,
TRUCK,
JEEP
INPUT

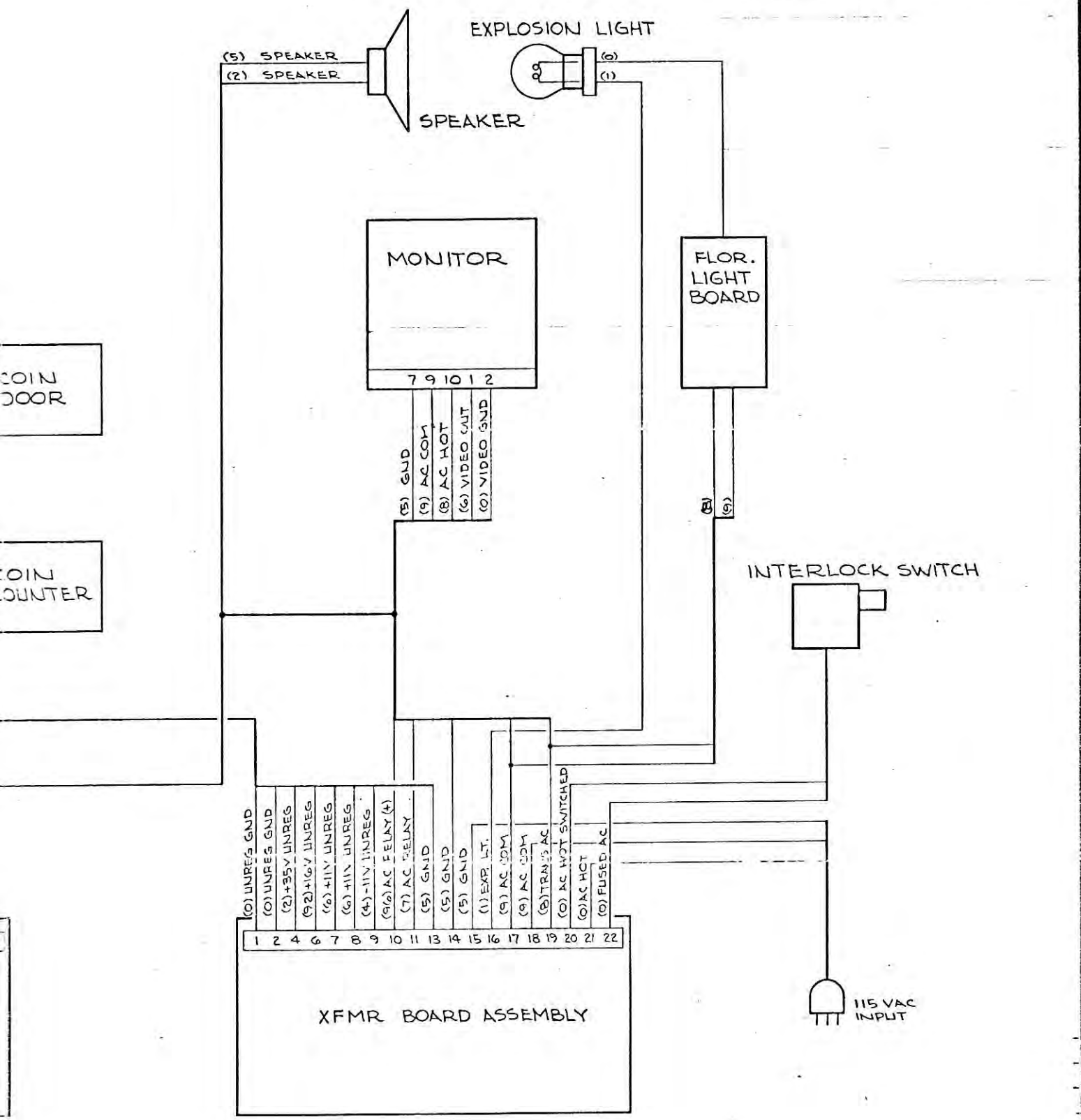
WHISTLE
"A" INPUT

WHISTLE
"B" INPUT

NOTICE: THIS DRAWING SHALL NOT BE DUPLICATED OR USED FOR ANY PURPOSE OTHER THAN THAT FOR WHICH PROVIDED ON THE DRAWING. NO PART OF THIS DRAWING SHALL BE REPRODUCED OR TRANSMITTED IN ANY FORM OR BY ANY MEANS, ELECTRONIC OR MECHANICAL, INCLUDING PHOTOCOPYING, RECORDING, OR BY ANY INFORMATION STORAGE AND RETRIEVAL SYSTEM, WITHOUT PERMISSION IN WRITING FROM THE RANDOLPH CORPORATION. PERMISSION IS GRANTED TO ANY MEMBER OF GOVERNMENT TO REPRODUCE THIS DRAWING AS NECESSARY TO THE OPERATION OF THE DRAWING, BUT NOT TO BE USED AS PERMITTED BY THE DATA CLAUSE PER CONTRACT OR SUBCONTRACT.



REVISIONS			
LTR	DESCRIPTION	APVD	DATE



COIN DOOR

COIN COUNTER

QTY REQD	PART NO.	ITEM DESCRIPTION	ITEM NO
LIST OF MATERIALS			

TOLERANCES <small>UNLESS OTHERWISE SPECIFIED, REMOVE ALL SHARP & BREAK ALL SHARP EDGES.</small> .XX .XXX ANG		DO NOT SCALE DRAWING		RAMTEK M-79 Ambush BLOCK DIAGRAM	
MATL		SIGNATURES DWN ED HARRIS CHK Fred Wenzel	DATE 6-29-77 7-5-77		
FINISH		ENG	DATE	SIZE <input type="checkbox"/> SHT 1 OF 1	OWG NO. 550918
NEXT ASSY		APVD	DATE	REV A	